

THIS DRAWING IS UNPUBLISHED. RELEASED FOR PUBLICATION - . - .
© COPYRIGHT - By - ALL RIGHTS RESERVED.

REVISIONS					
P	LTR	DESCRIPTION	DATE	DWN	APVD
	T5	PART STATUS UPDATED	22JAN2018	RK	PS

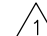


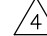
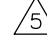
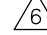
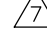
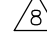
PHYSICAL PROPERTIES:
 HOUSING MATERIAL: PBT
 FLAMMABILITY: UL94V-0
 COLOR: BLACK
 MAX BOW/WARP: .0056 IN/IN.

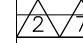
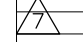
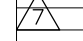

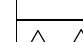
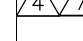

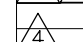
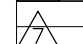
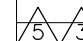

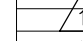
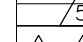
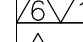
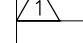


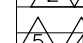
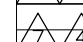
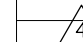
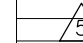
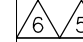



TERMINAL:
 TERMINALS: BRASS, TIN PLATED. (UNLESS OTHERWISE STATED)
 SCREWS: 8-32 STEEL, NICKEL PLATED. (UNLESS OTHERWISE STATED)
 Q.C. TABS: BRASS, NICKEL PLATED.

MECHANICAL:
 PITCH (TERMINAL SPACING): .563"
 WIRE RANGE: 10-22 AWG
 RECOMMENDED TIGHTENING TORQUE: 14IN-LBS MAX.

ELECTRICAL PROPERTIES:
 MAXIMUM CURRENT: 30A
 OPERATING VOLTAGE: 300V


ENVIRONMENTAL PROPERTIES:
 OPERATING TEMP RANGE: -40°C TO 120°C

-  STAINLESS STEEL SCREWS.
-  WHITE INK STAMP.
-  NICKEL PLATED BRASS TERMINALS.
-  NICKEL PLATED BRASS SCREWS.
-  SEE FIGURE.
-  PRELIMINARY PART NUMBER.
-  OBSOLETE PART NUMBER.
-  TE CONNECTIVITY LOGO LOCATED APPROXIMATE AREA SHOWN.

	-	-	-	-	-	-	-	-	-	-	7.886	8.323	13	1-1546310-3
	-	-	-	-	-	-	-	-	12	12	7.323	7.760	12	4-1546310-8
	-	8	-	-	-	12	12	12	-	-	7.323	7.760	12	4-1546310-7
	-	-	-	-	12	12	12	-	-	-	7.323	7.760	12	4-1546310-6
	-	-	-	-	-	-	-	-	-	-	7.323	7.760	12	1-1546310-2
	-	-	-	-	-	-	-	-	-	-	6.760	7.179	11	1-1546310-1
	-	-	-	-	-	-	-	-	-	-	6.197	6.634	10	1-1546310-0
	-	-	-	-	-	-	-	-	-	-	5.634	6.071	9	1546310-9
	-	-	-	-	-	-	-	-	-	-	5.071	5.508	8	4-1546310-5
	-	8	8	-	-	-	-	-	-	-	5.071	5.508	8	2-1546310-9
	-	-	-	-	-	-	-	-	-	-	5.071	5.508	8	1546310-8
	-	-	-	-	-	7	-	-	-	-	4.508	4.945	7	3-1546310-8
	-	-	-	-	-	-	-	-	-	-	4.508	4.945	7	1546310-7
	-	-	-	-	-	-	-	-	-	-	3.945	4.382	6	4-1546310-4
	-	-	-	-	-	-	-	-	-	-	3.945	4.382	6	4-1546310-3
	-	-	-	-	-	-	-	-	-	-	3.945	4.382	6	4-1546310-2
	-	-	-	-	-	-	-	-	-	-	3.945	4.382	6	3-1546310-1
	-	-	-	-	-	6	-	-	-	-	3.945	4.382	6	3-1546310-0
	-	6	6	-	-	-	-	-	-	-	3.945	4.382	6	2-1546310-8
	-	1	1	-	-	5	1	-	-	-	3.945	4.382	6	2-1546310-6
	-	-	-	-	-	-	-	6	-	-	3.945	4.382	6	2-1546310-3
	-	-	-	-	6	-	-	-	-	-	3.945	4.382	6	2-1546310-2
	-	-	-	-	-	-	-	-	6	6	3.945	4.382	6	2-1546310-1
	-	-	-	-	-	-	-	-	6	6	3.945	4.382	6	1546636-1
	-	-	-	6	-	-	-	-	6	-	3.945	4.382	6	1-1546310-9
	-	-	-	6	-	-	-	-	-	-	3.945	4.382	6	1546589-1
	-	-	-	-	-	-	-	-	-	-	3.945	4.382	6	1546310-6
	-	-	-	-	-	5	-	-	-	-	3.382	3.819	5	3-1546310-7
	-	1	1	-	-	-	-	1	-	5	3.382	3.819	5	2-1546310-7
	-	-	-	-	-	-	-	-	-	-	3.382	3.819	5	1546310-5
	-	-	-	-	-	-	-	-	4	4	2.819	3.256	4	5-1546310-0
	-	-	-	-	-	-	-	-	-	-	2.819	3.256	4	4-1546310-1
	-	-	-	-	-	-	-	-	-	-	2.819	3.256	4	4-1546310-0
	-	-	-	-	-	-	-	-	-	-	2.819	3.256	4	3-1546310-9
	-	-	-	-	-	-	-	-	-	-	2.819	3.256	4	1546310-4
	-	-	-	-	-	-	-	-	-	-	2.256	2.693	3	2-1546310-5
	-	-	-	-	-	-	-	-	3	1	2.256	2.693	3	2-1546310-4
	-	-	-	1	2	-	-	-	1	-	2.256	2.693	3	2-1546310-0
	-	-	-	-	-	-	-	-	-	-	2.256	2.693	3	1546310-3
	-	-	-	-	-	-	-	2	-	2	1.693	2.130	2	5-1546310-1
	-	-	-	-	-	-	-	-	-	-	1.693	2.130	2	1546310-2

NOTES (9) OTB JUMPER (8) .250 QC TAB 90° DOUBLE SIDE (7) .250 QC TAB 90°/45° DOUBLE SIDE (6) .250 QC TAB 90° DOUBLE SIDE (5) .250 QC TAB 45° DOUBLE SIDE (4) .250 QC TAB STRAIGHT DOUBLE SIDE (3) .250 QC TAB 90° SINGLE SIDE (2) .250 QC TAB 45° SINGLE SIDE (1) .250 QC TAB STRAIGHT SINGLE SIDE DIM B DIM A NO. OF POSN PART NUMBER

THIS DRAWING IS A CONTROLLED DOCUMENT.

DWN S SCHLEGEL 16FEB2007	 TE Connectivity Ltd.
CHK S YODER 2/16/07	
APVD S YODER 2/16/07	
PRODUCT SPEC	NAME 14.3 (.563) DBL ROW BARRIER STRIP W/O WASHER
APPLICATION SPEC	SIZE A2
WEIGHT	CAGE CODE 00779
CUSTOMER DRAWING	DRAWING NO 1546310
	RESTRICTED TO -
	SCALE NTS
	SHEET 1 OF 4
	REV T5

A

A

B

B

C

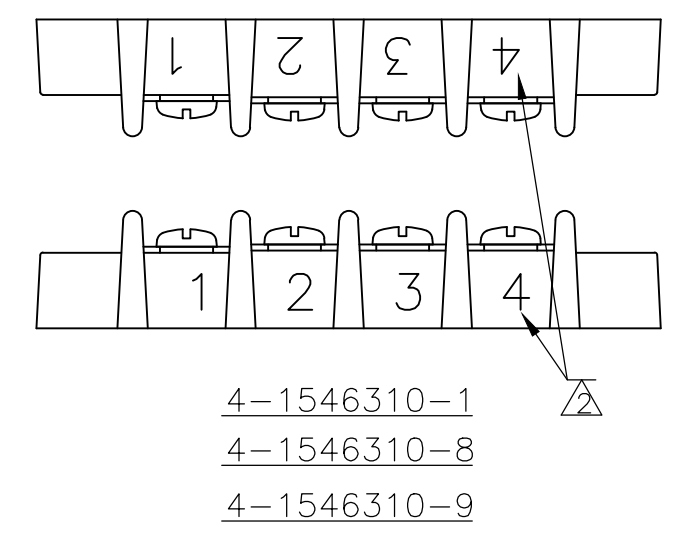
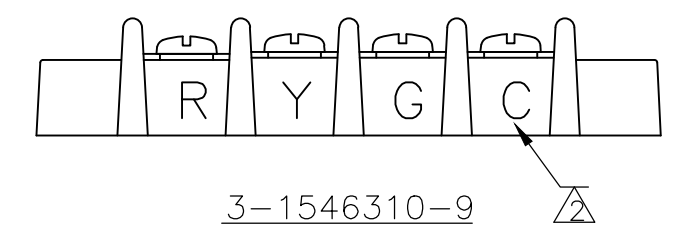
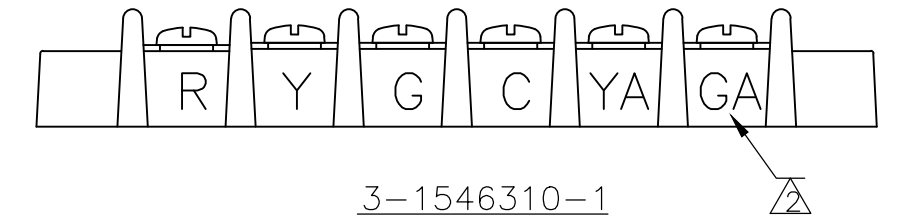
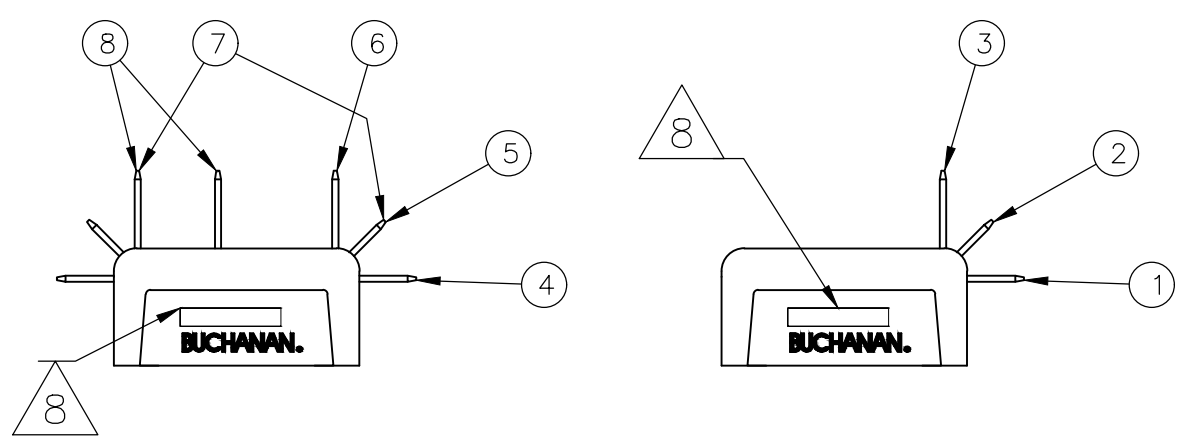
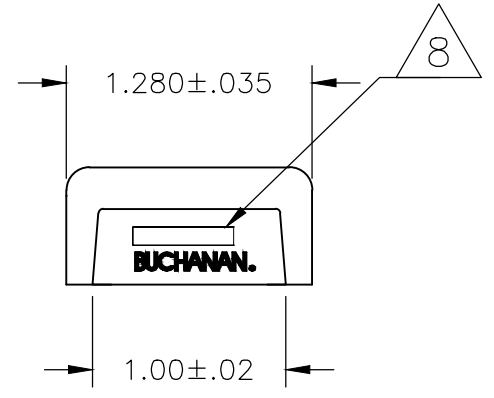
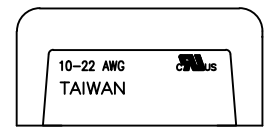
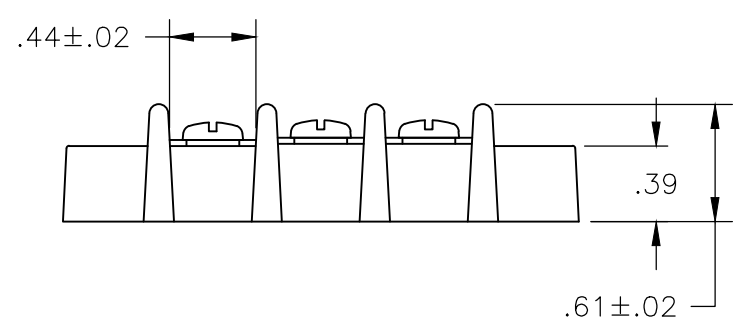
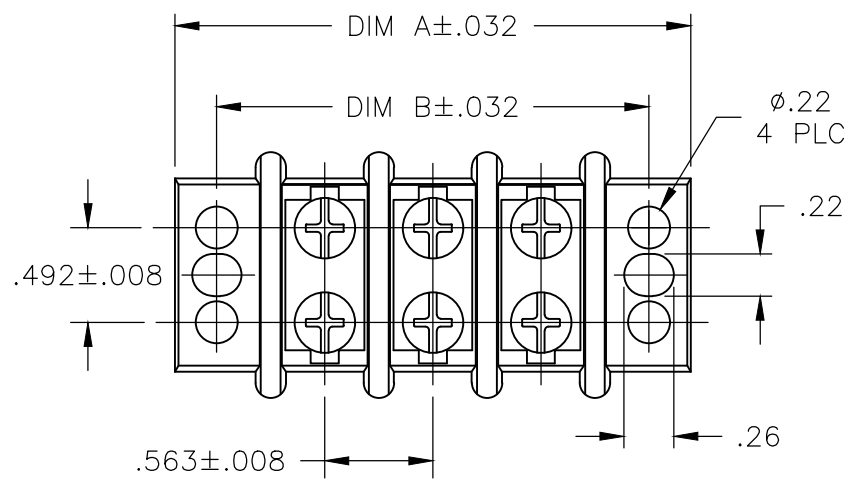
C

D

D

THIS DRAWING IS UNPUBLISHED. RELEASED FOR PUBLICATION
 © COPYRIGHT - By - ALL RIGHTS RESERVED.

REVISIONS				
P	LTR	DESCRIPTION	DATE	APVD
-	-	SEE SHEET 1	-	-



△	-	-	-	-	-	-	2	-	2	-	1.693	2.130	-	5-1546310-1
-	-	-	-	-	-	-	-	-	-	-	10.701	11.138	18	1-1546310-8
-	-	-	-	-	-	-	-	-	-	-	10.138	10.575	17	1-1546310-7
-	-	-	-	-	-	-	-	-	-	-	9.575	10.012	16	1-1546310-6
-	-	-	-	-	-	-	-	-	-	-	9.012	9.449	15	1-1546310-5
△△△	-	-	-	-	-	-	-	-	14	14	8.449	8.886	14	4-1546310-9
-	-	-	-	-	-	-	-	-	-	-	8.449	8.886	14	1-1546310-4
NOTES	9	8	7	6	5	4	3	2	1		DIM B	DIM A	NO. OF POSN	PART NUMBER
	OTB JUMPER	.250 QC TAB 90° DOUBLE SIDE	.250 QC TAB 90°/45° DOUBLE SIDE	.250 QC TAB 90° DOUBLE SIDE	.250 QC TAB 45° DOUBLE SIDE	.250 QC TAB STRAIGHT DOUBLE SIDE	.250 QC TAB 90° SINGLE SIDE	.250 QC TAB 45° SINGLE SIDE	.250 QC TAB STRAIGHT SINGLE SIDE					

THIS DRAWING IS A CONTROLLED DOCUMENT.

DWN	S SCHLEGEL	16FEB2007
CHK	S YODER	2/16/07
APVD	S YODER	2/16/07
PRODUCT SPEC		
APPLICATION SPEC		
WEIGHT	-	

TE Connectivity Ltd.

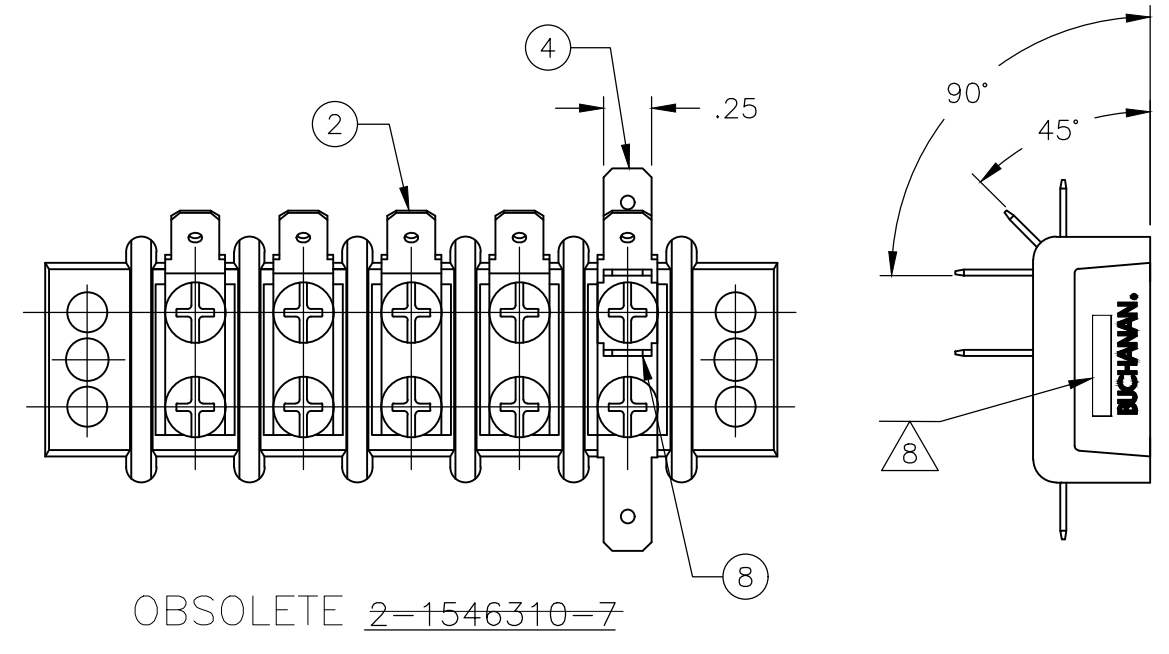
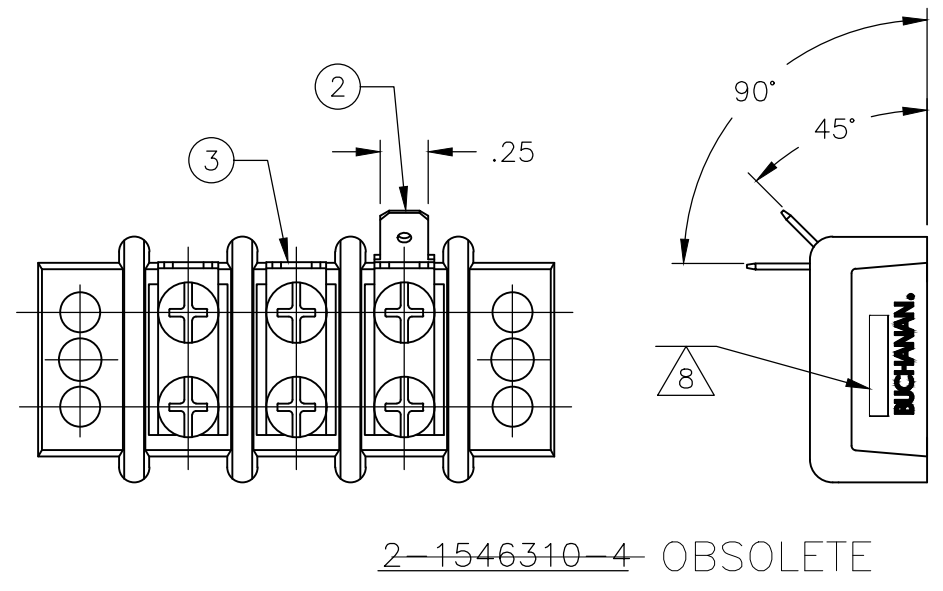
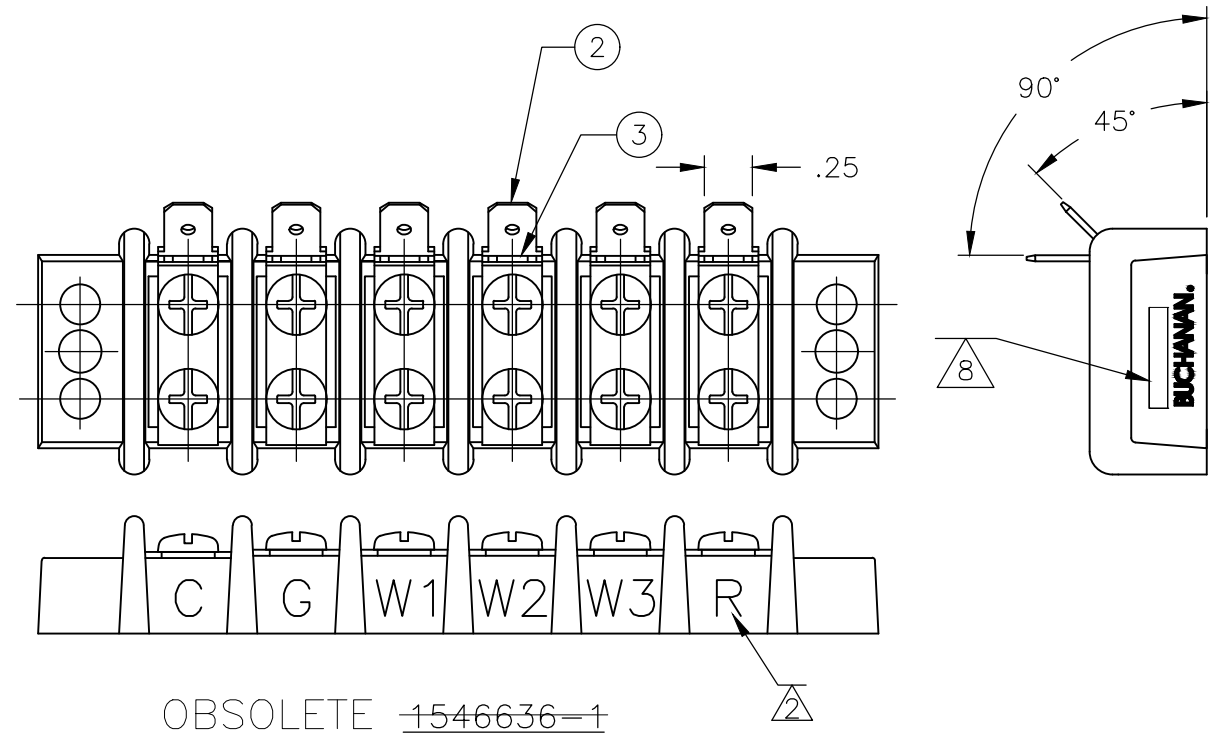
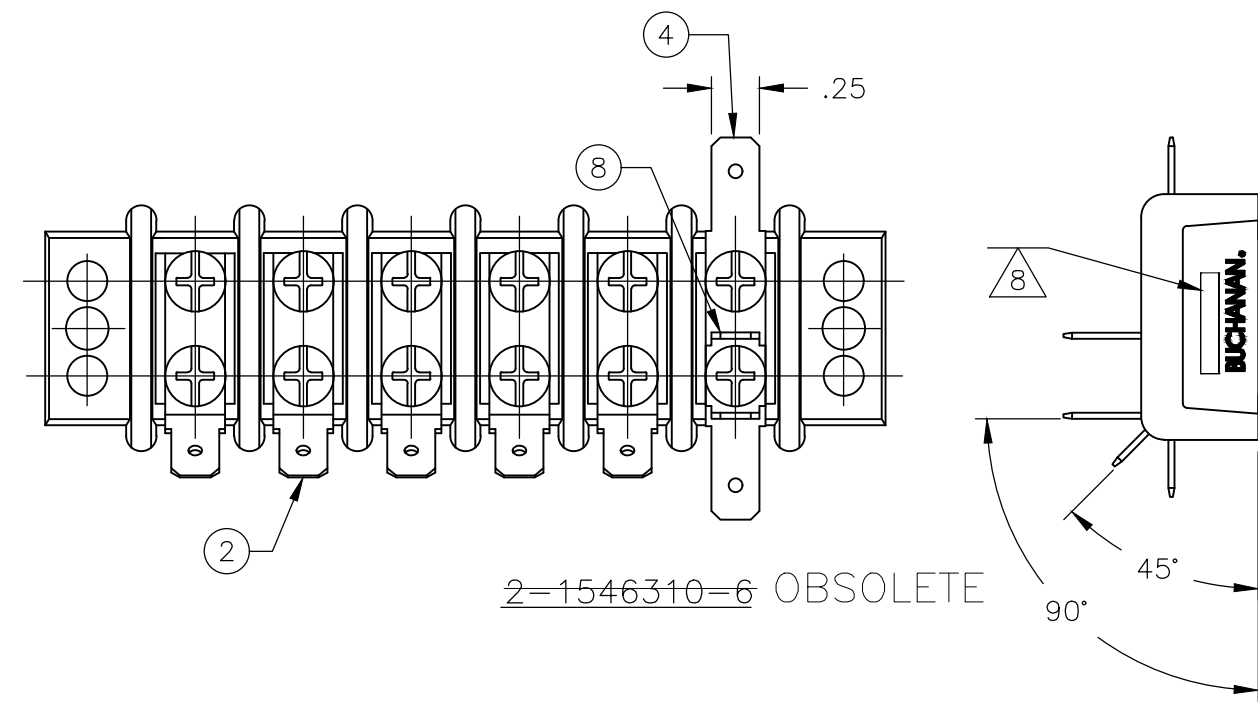
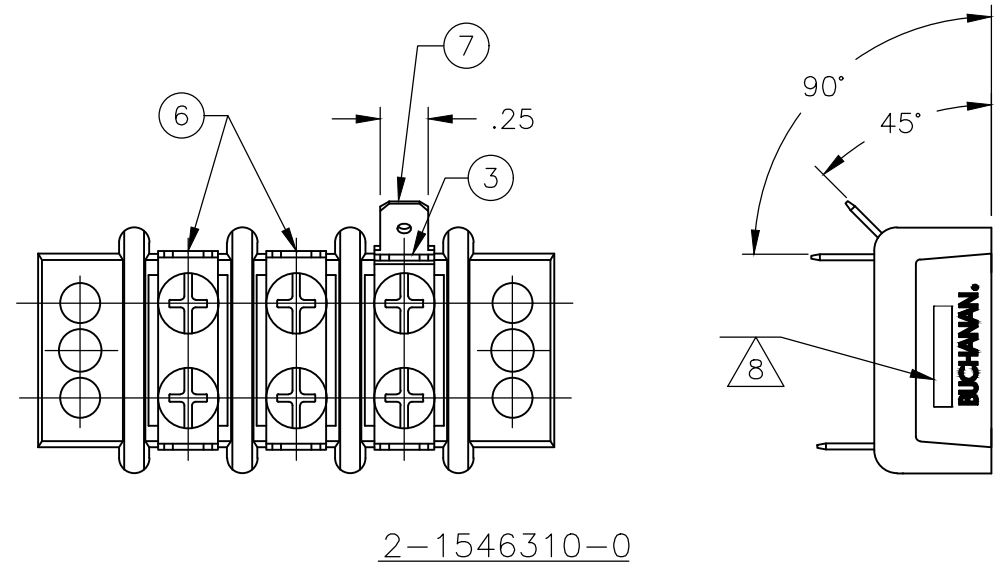
14.3 (.563) DBL ROW BARRIER STRIP W/O WASHER


SIZE: A2 CAGE CODE: 00779 DRAWING NO: C=1546310 RESTRICTED TO: -

CUSTOMER DRAWING SCALE: NTS SHEET: 2 of 4 REV: T5

THIS DRAWING IS UNPUBLISHED. RELEASED FOR PUBLICATION
 © COPYRIGHT - By - ALL RIGHTS RESERVED.

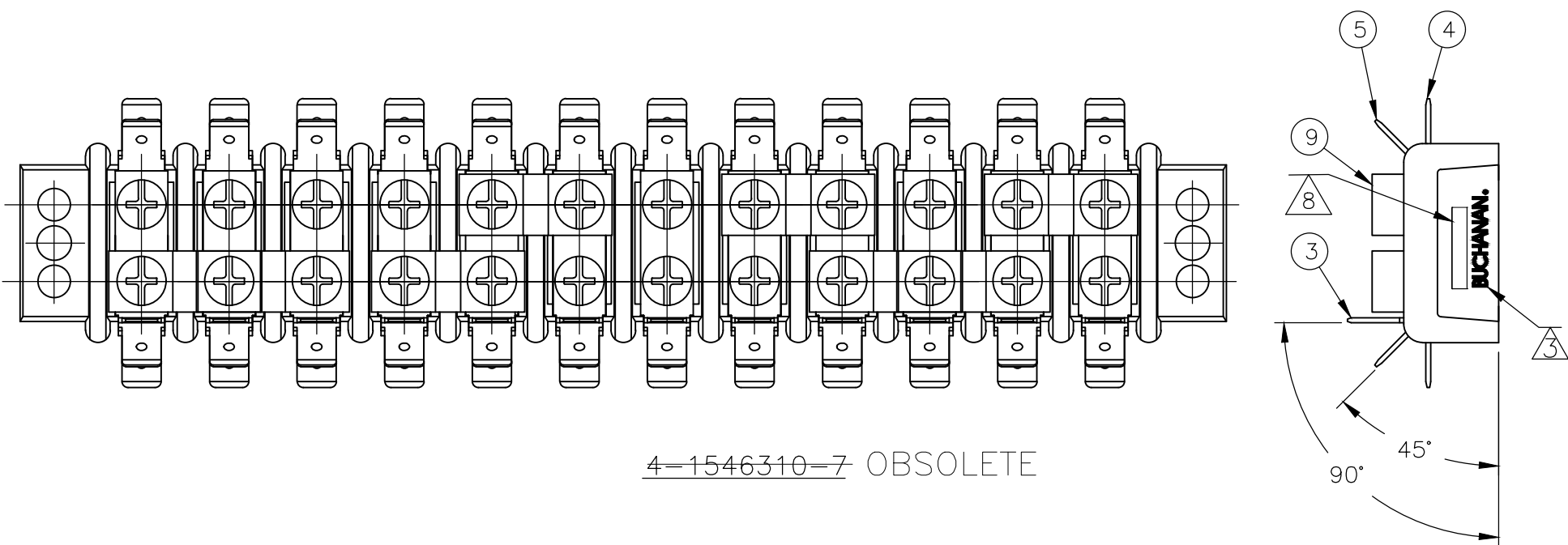
REVISIONS					
P	LTR	DESCRIPTION	DATE	DWN	APVD
-	-	SEE SHEET 1	-	-	-



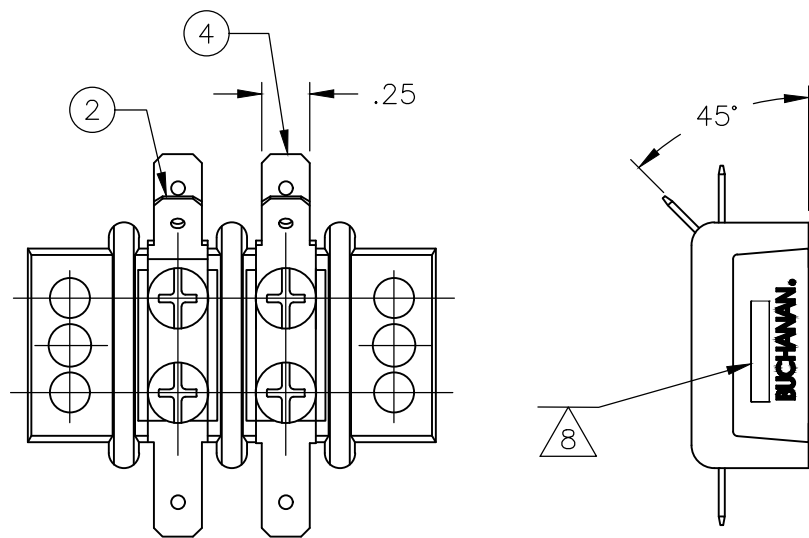
THIS DRAWING IS A CONTROLLED DOCUMENT.		DWN S SCHLEGEL 16FEB2007	 TE Connectivity Ltd.	
DIMENSIONS: INCHES		CHK S YODER 2/16/07		
TOLERANCES UNLESS OTHERWISE SPECIFIED:		APVD S YODER 2/16/07	NAME 14.3 (.563) DBL ROW BARRIER STRIP W/O WASHER	
0 PLC ± - 1 PLC ± - 2 PLC ± - 3 PLC ± - 4 PLC ± - ANGLES ± -		PRODUCT SPEC	SIZE A2	
MATERIAL		APPLICATION SPEC	CAGE CODE 00779	DRAWING NO C=1546310
FINISH		WEIGHT	RESTRICTED TO	
		CUSTOMER DRAWING	SCALE NTS	SHEET 3 OF 4
			REV T5	

THIS DRAWING IS UNPUBLISHED. RELEASED FOR PUBLICATION
 © COPYRIGHT - By - ALL RIGHTS RESERVED.

REVISIONS				
P	LTR	DESCRIPTION	DATE	APVD
-	-	SEE SHEET 1	-	-



4-1546310-7 OBSOLETE



5-1546310-1

THIS DRAWING IS A CONTROLLED DOCUMENT.		DWN S SCHLEGEL 16FEB2007	TE Connectivity Ltd.																			
DIMENSIONS: INCHES		CHK S YODER 2/16/07																				
TOLERANCES UNLESS OTHERWISE SPECIFIED:		APVD S YODER 2/16/07	NAME 14.3 (.563) DBL ROW BARRIER STRIP W/O WASHER																			
<table border="0"> <tr><td>0 PLC</td><td>±</td><td>-</td></tr> <tr><td>1 PLC</td><td>±</td><td>-</td></tr> <tr><td>2 PLC</td><td>±</td><td>-</td></tr> <tr><td>3 PLC</td><td>±</td><td>-</td></tr> <tr><td>4 PLC</td><td>±</td><td>-</td></tr> <tr><td>ANGLES</td><td>±</td><td>-</td></tr> </table>		0 PLC	±	-	1 PLC	±	-	2 PLC	±	-	3 PLC	±	-	4 PLC	±	-	ANGLES	±	-	PRODUCT SPEC -	APPLICATION SPEC -	RESTRICTED TO -
0 PLC	±	-																				
1 PLC	±	-																				
2 PLC	±	-																				
3 PLC	±	-																				
4 PLC	±	-																				
ANGLES	±	-																				
MATERIAL -	FINISH -	WEIGHT -	SIZE A2	CAGE CODE 00779																		
CUSTOMER DRAWING			SCALE NTS	SHEET 4 OF 4																		
			DRAWING NO C=1546310	REV T5																		

Mouser Electronics

Authorized Distributor

Click to View Pricing, Inventory, Delivery & Lifecycle Information:

[TE Connectivity:](#)

[1546310-6](#)