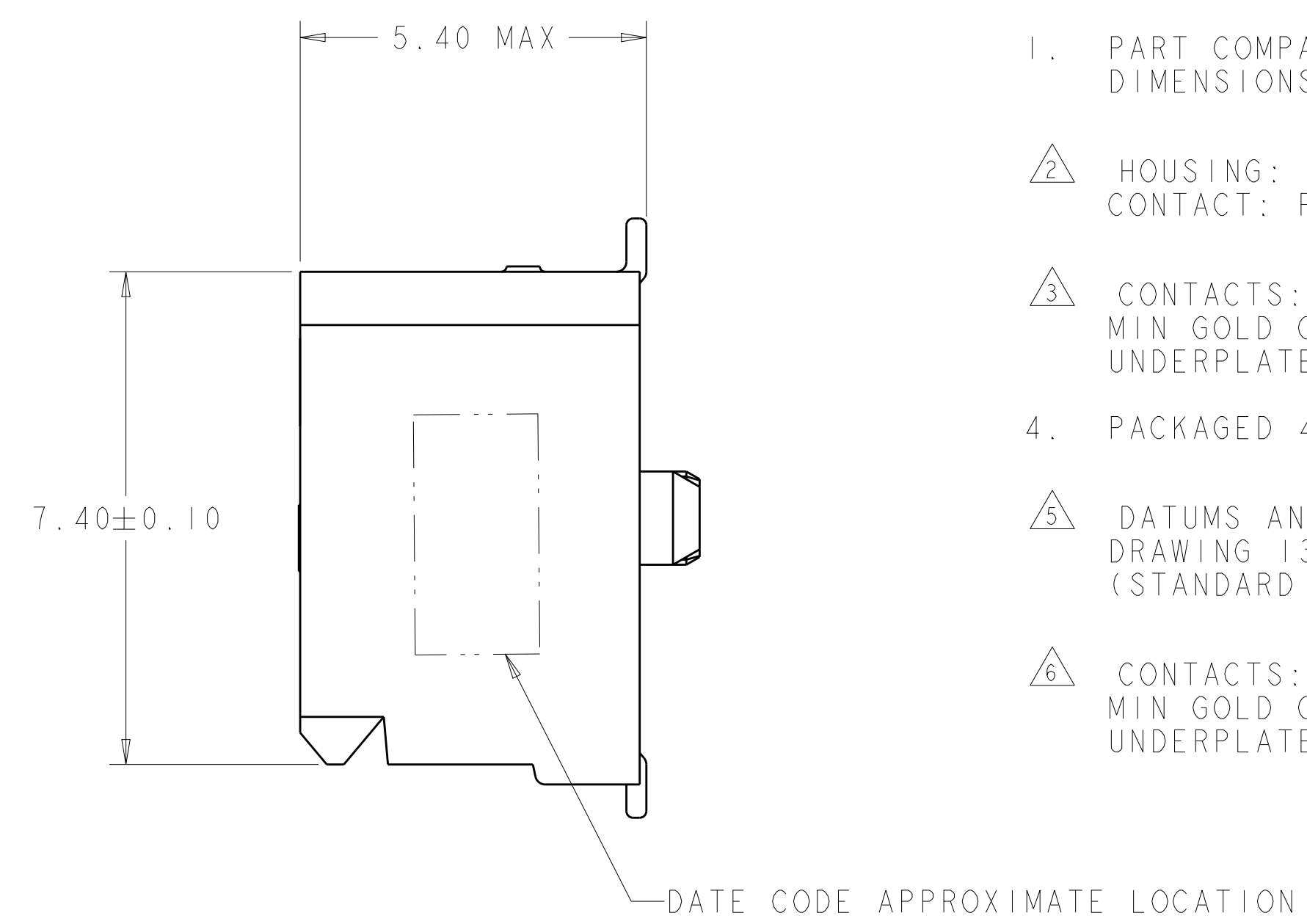
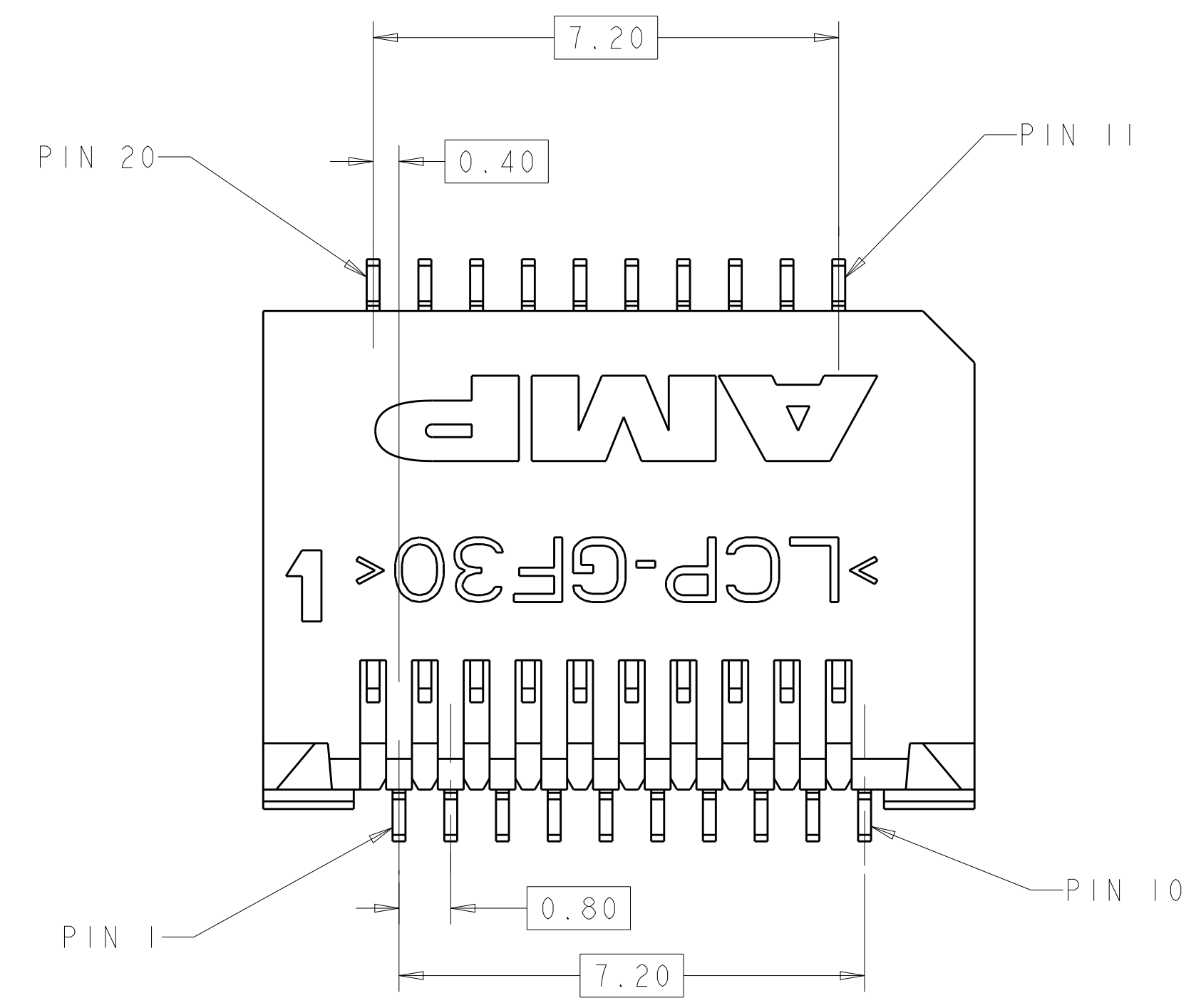
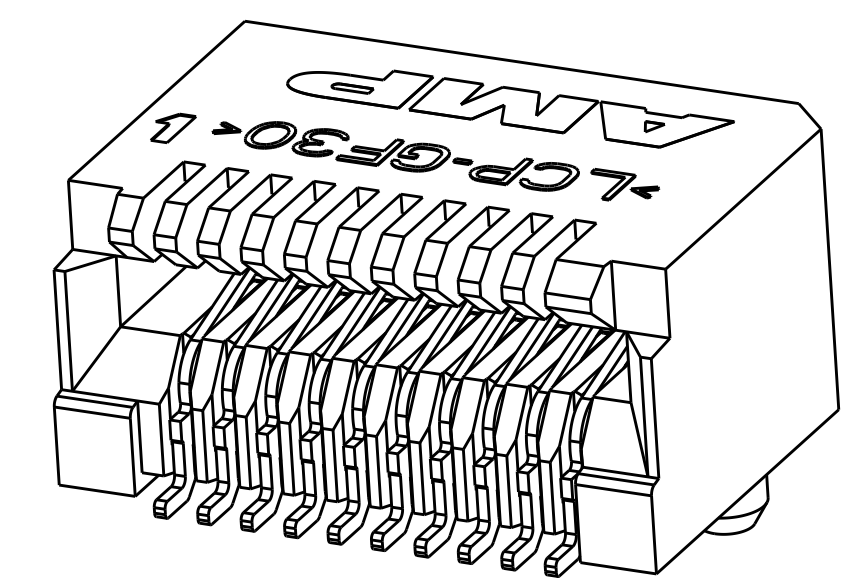
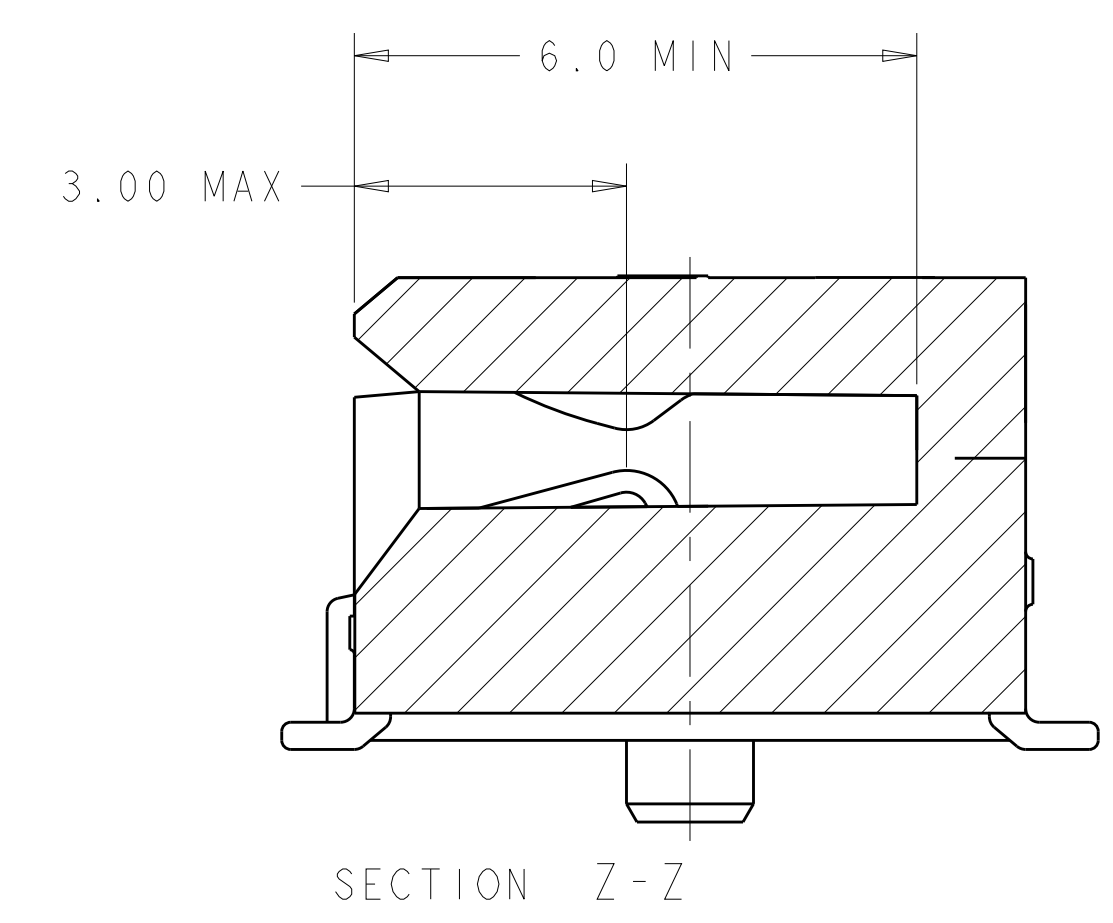
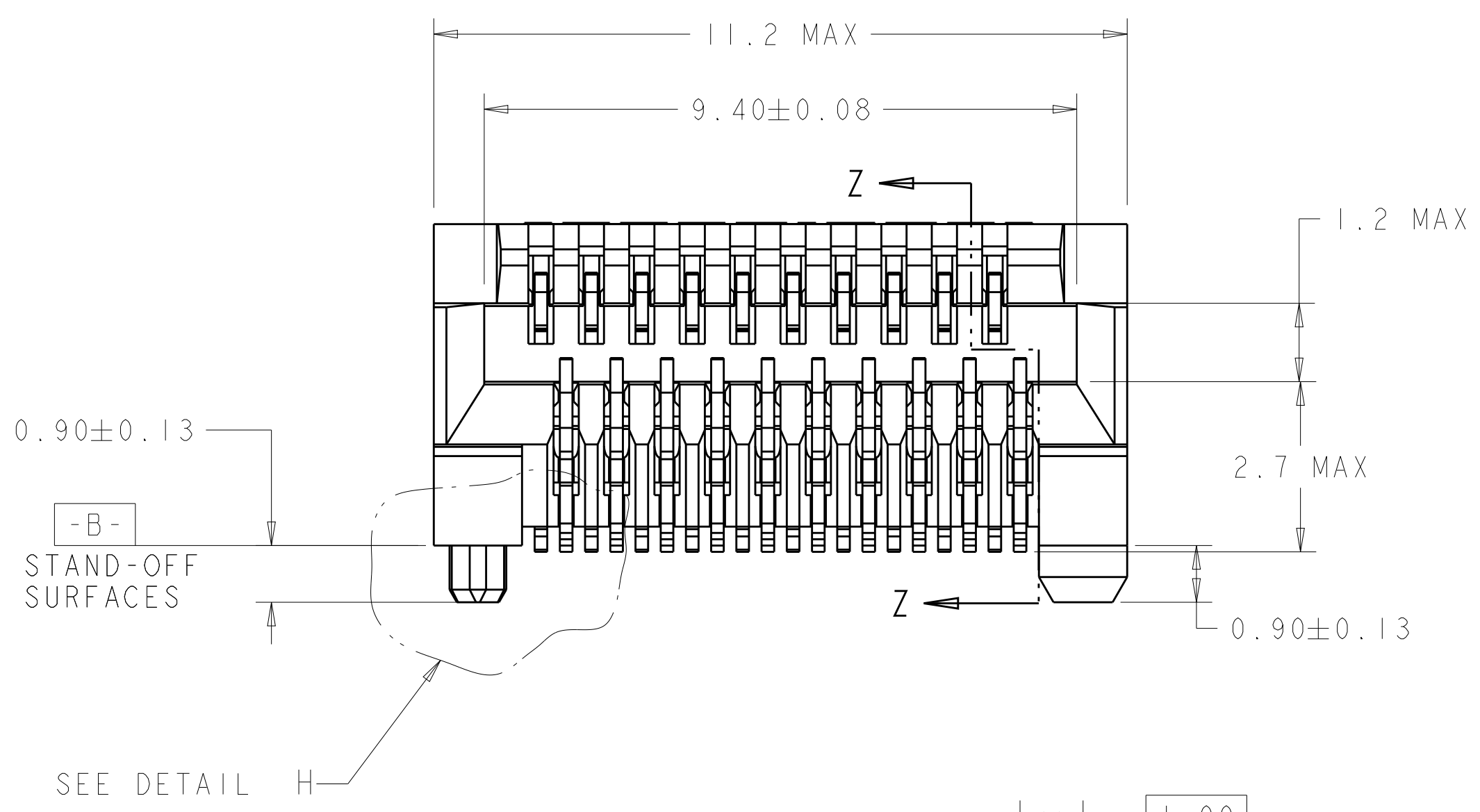


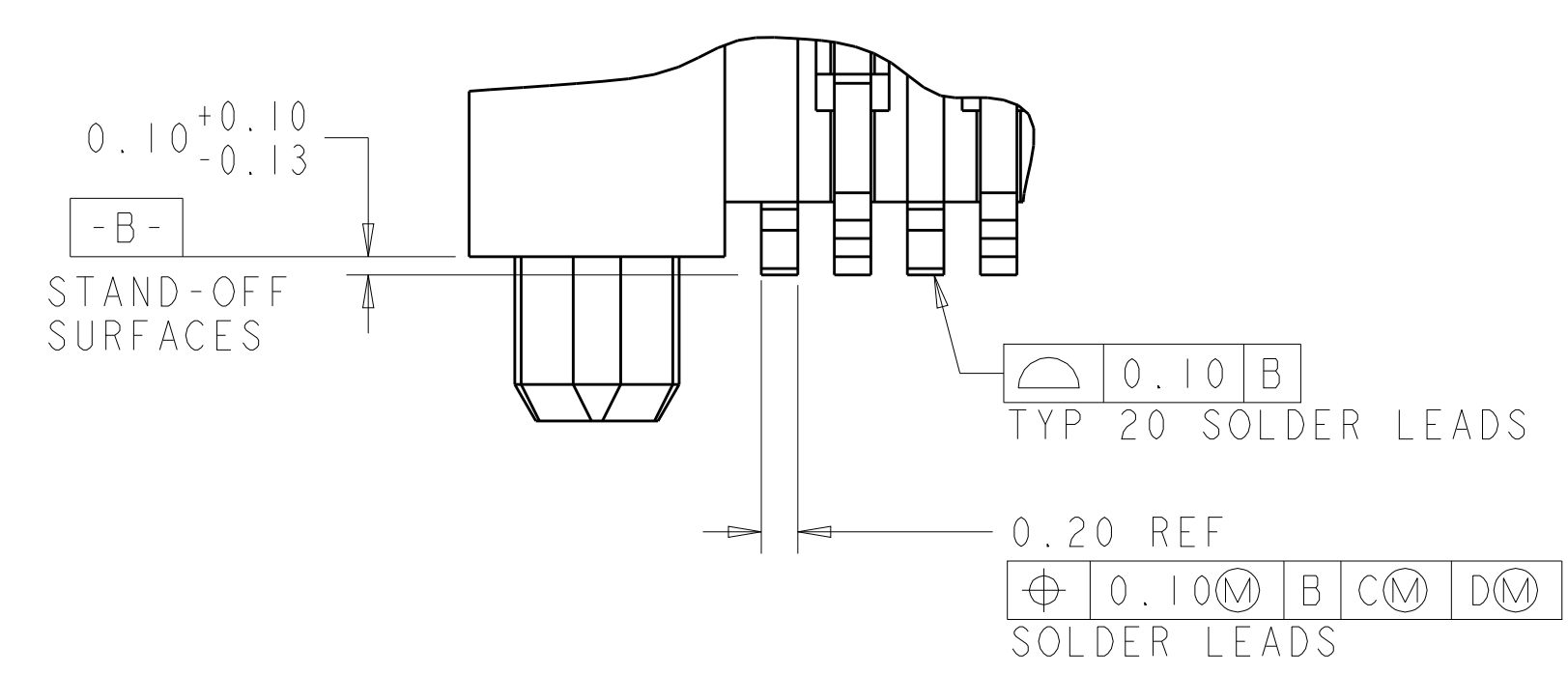
LOC	DIST	REVISIONS			
		REV	DATE	BY	CHK
ES	00	J1	09MAY2011	RK	HMR
		K	18DEC2012	JY	AC
		L	20JUN2017	JW	SH



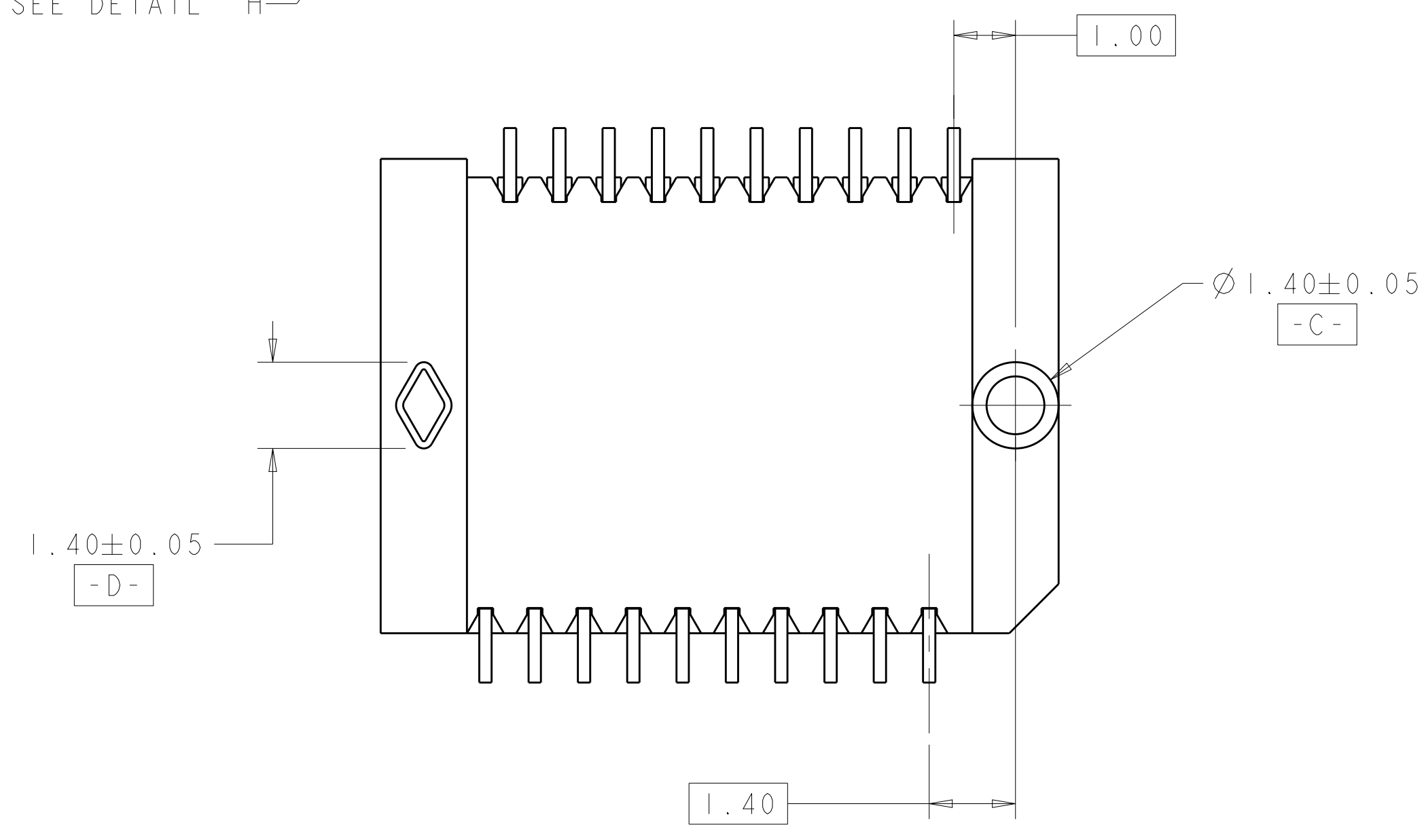
- PART COMPATIBLE WITH SFP MSA. REFER TO THE SFP MSA FOR DIMENSIONS NOT SHOWN ON THIS PRINT.
- HOUSING: HIGH TEMPERATURE LCP, UL 94V-0 RATED, BLACK. CONTACT: PHOSPHOR BRONZE.
- CONTACTS: 0.00038 MIN GOLD IN CONTACT AREA, 0.00013 MIN GOLD ON SOLDER AREA, OVER 0.00127 MIN NICKEL UNDERPLATE ON ENTIRE CONTACT.
- PACKAGED 480 PIECES PER REEL.
- DATUMS AND BASIC DIMENSIONS TO BE ESTABLISHED BY CUSTOMER, SEE DRAWING 1367034 FOR LAYOUT WHEN USED WITH 1367034-1 BOTTOM CAGE (STANDARD SFP APPLICATION).
- CONTACTS: 0.00076 MIN GOLD IN CONTACT AREA, 0.00013 MIN GOLD ON SOLDER AREA, OVER 0.00127 MIN NICKEL UNDERPLATE ON ENTIRE CONTACT.



SCALE 8:1



DETAIL H
SCALE 25:1



YES	△6	1367073-4
YES	△3	1367073-3
NO	△6	1367073-2
NO	△3	1367073-1
DATE CODE	FINISH	PART NUMBER

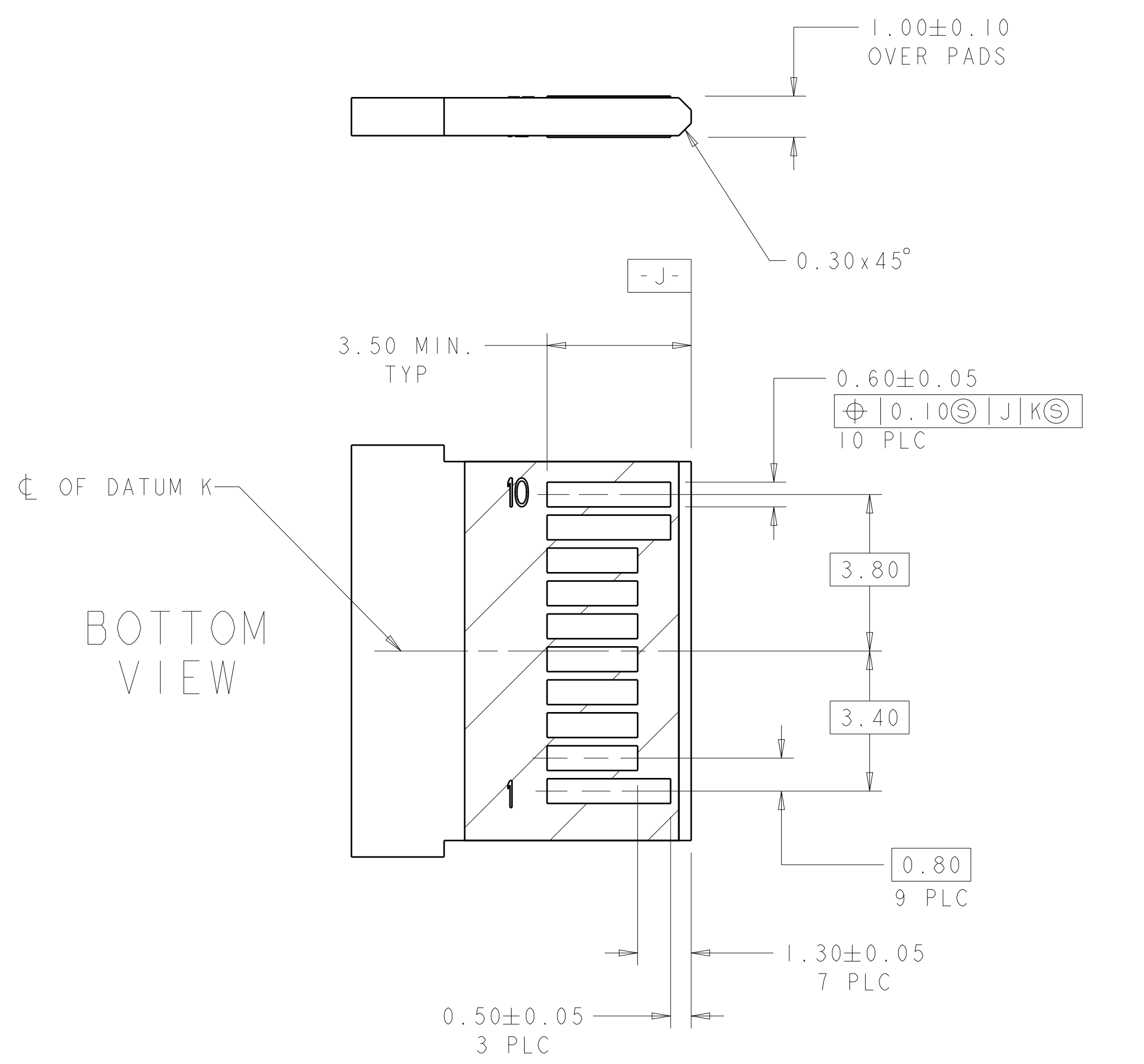
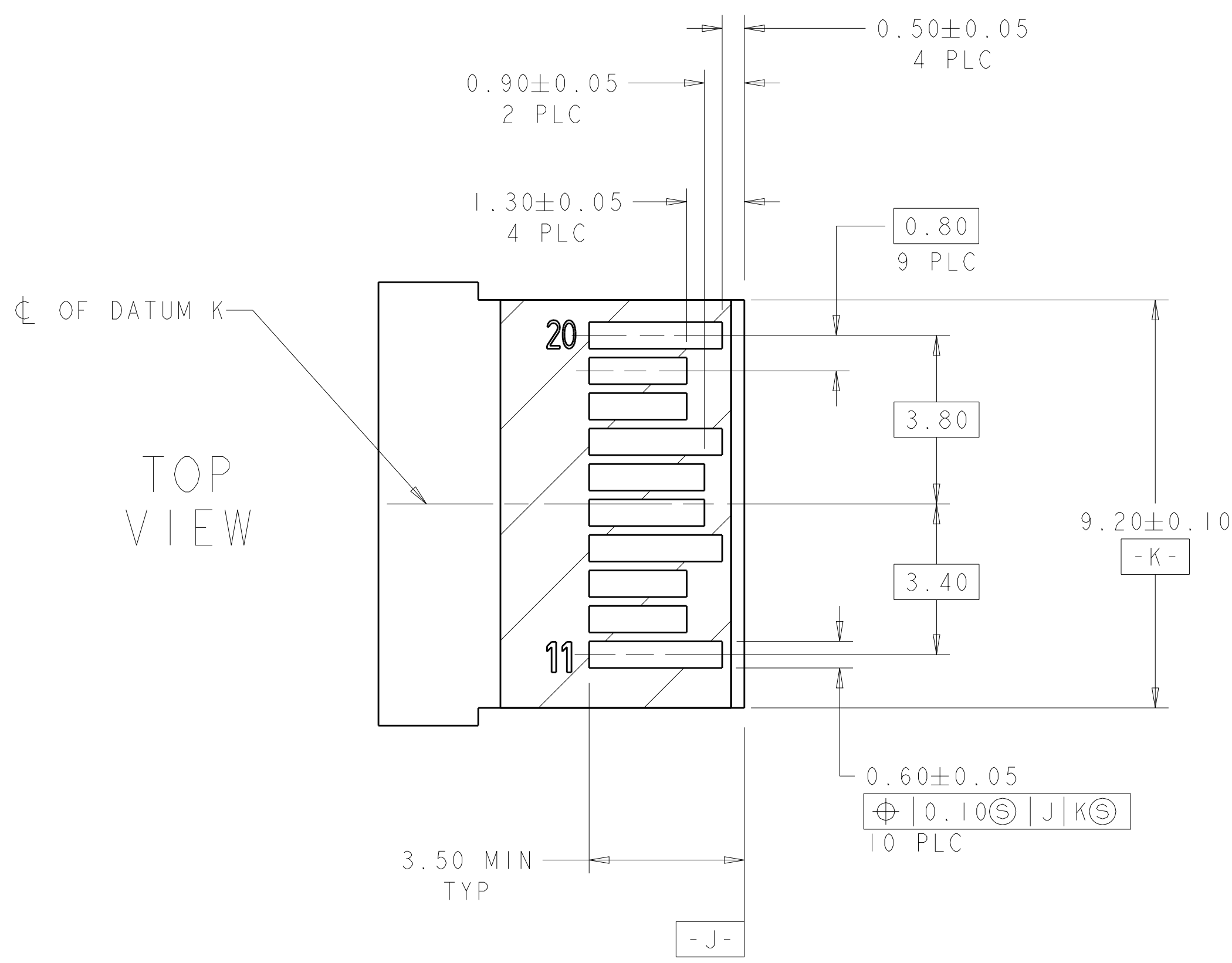
THIS DRAWING IS A CONTROLLED DOCUMENT.

DIMENSIONS:	TOLERANCES UNLESS OTHERWISE SPECIFIED:	OWN: P. KERBLIN 01MAR2000	CHK: E. BRIGHT 01MAR2000	APVD: E. BRIGHT 01MAR2000	NAME: PT CONNECTOR ASSEMBLY, 20 POSITION, SFP, RTANG, 0.8MM
mm	0 PLC ± 1 PLC ±0.10 2 PLC ± 3 PLC ± 4 PLC ±	PRODUCT SPEC: 108-1949	APPLICATION SPEC: 114-13017	SIZE: A1	CAGE CODE: 1367073
MATERIAL: △	FINISH: SEE TABLE	WEIGHT: -	Customer Drawing	SCALE: 12:1	SHEET: 1 OF 2

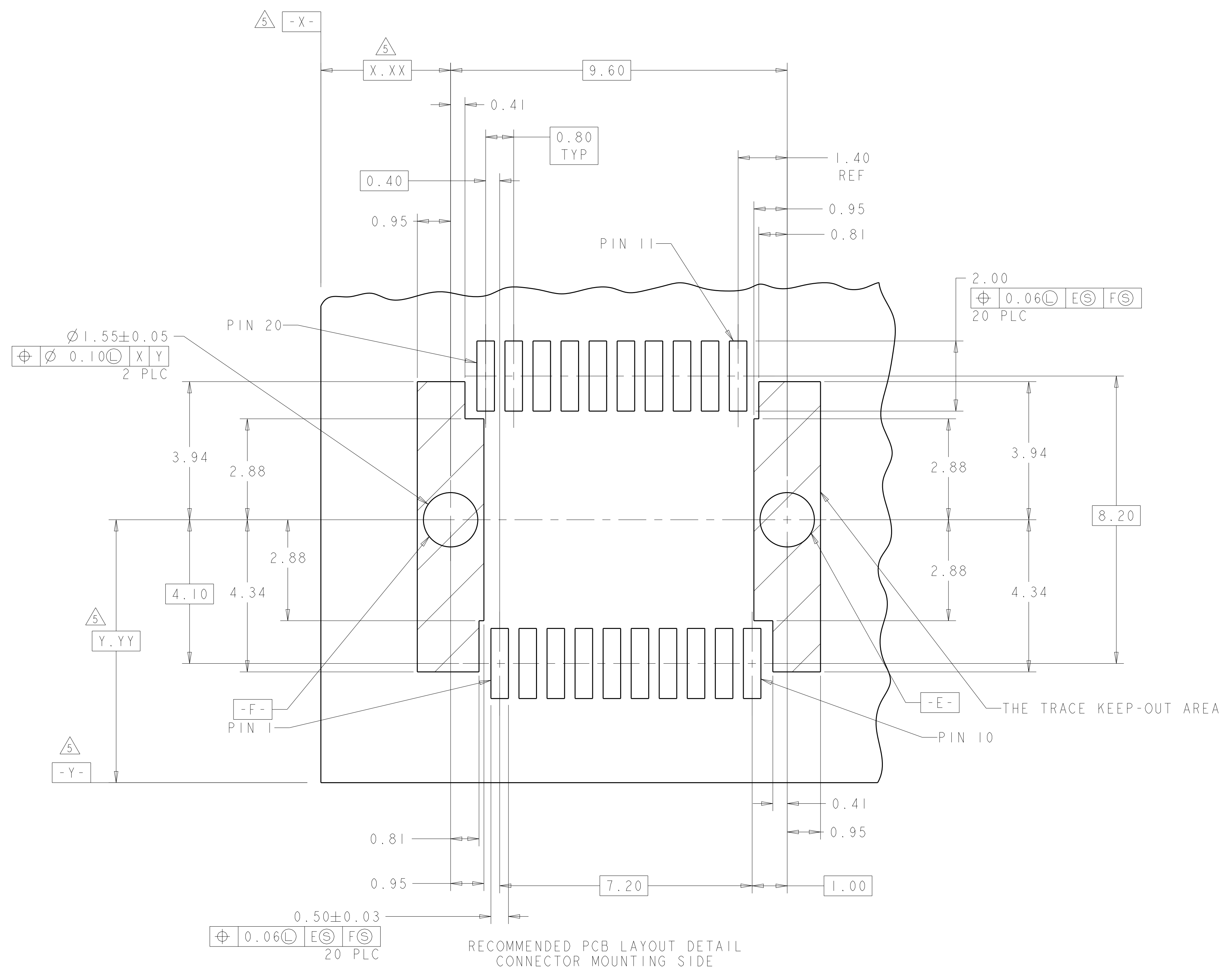
RESTRICTED TO

LOC	DIST	REV	DATE	BY	APPV
ES	00				

REVISIONS			
NO.	DESCRIPTION	DATE	BY
1	SEE SHEET 1		



RECOMMENDED LAYOUT DETAIL
MATING TRANSCEIVER PCB
SCALE 10:1



RECOMMENDED PCB LAYOUT DETAIL
CONNECTOR MOUNTING SIDE
SCALE 14:1

THIS DRAWING IS A CONTROLLED DOCUMENT.		OWN: P. KERLIN 01MAR2000	TE Connectivity
DIMENSIONS: mm		CHK: E. BRIGHT 01MAR2000	
TOLERANCES UNLESS OTHERWISE SPECIFIED:		APPV: E. BRIGHT 01MAR2000	NAME: PT CONNECTOR ASSEMBLY, 20 POSITION, SFP, RTANG, 0.8MM
0 PLC ±	1 PLC ±0.10	PRODUCT SPEC: 108-1949	SIZE: CAGE CODE DRAWING NO: A100779C=1367073
2 PLC ±	3 PLC ±	APPLICATION SPEC: 114-13017	RESTRICTED TO: -
4 PLC ±	ANGLES ±	WEIGHT: -	SCALE: 12:1 SHEET 2 OF 2 REV L
MATERIAL: FINISH: -	Customer Drawing		

Mouser Electronics

Authorized Distributor

Click to View Pricing, Inventory, Delivery & Lifecycle Information:

[TE Connectivity:](#)

[1367073-2](#)