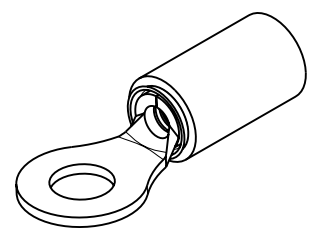
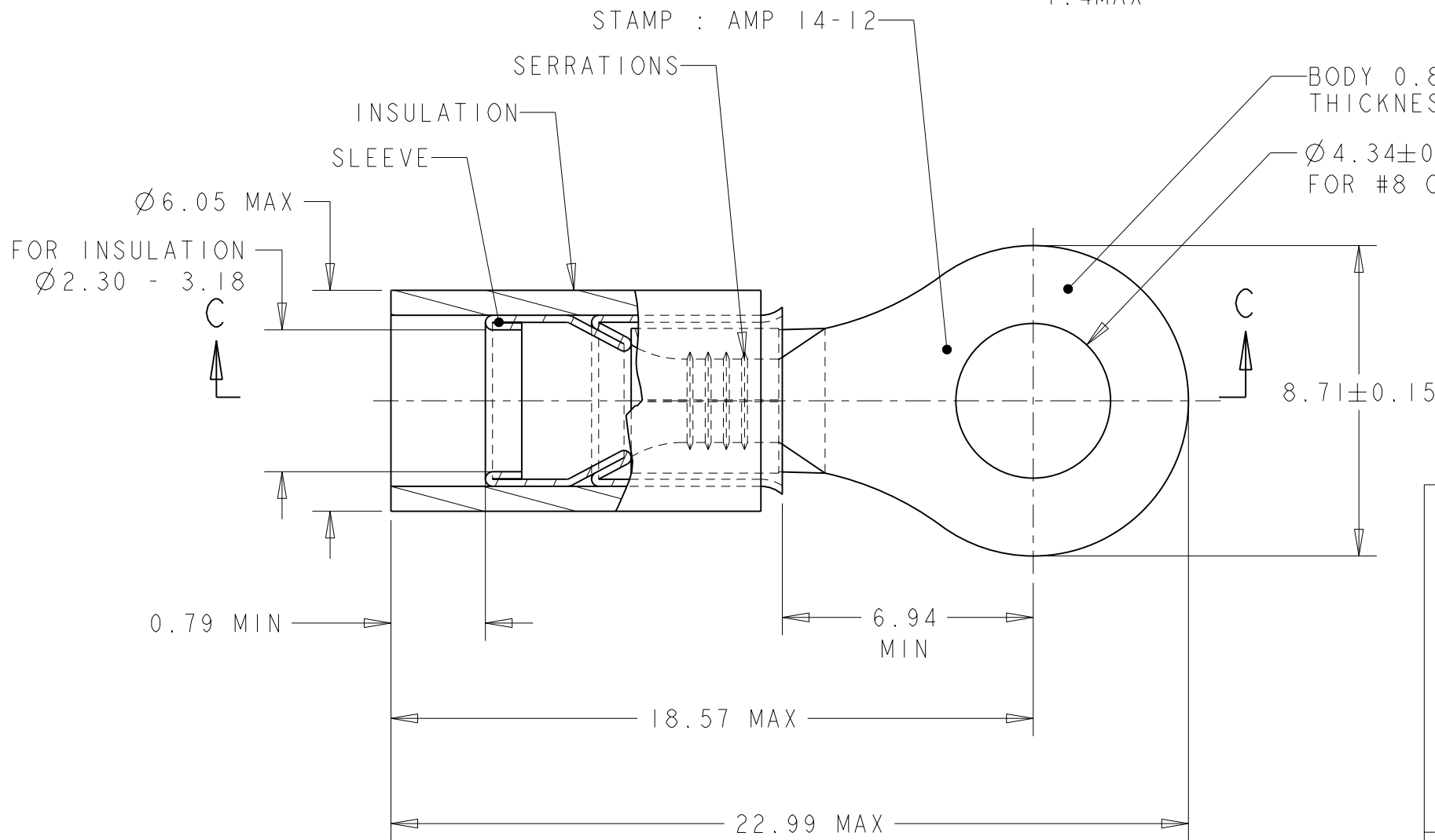
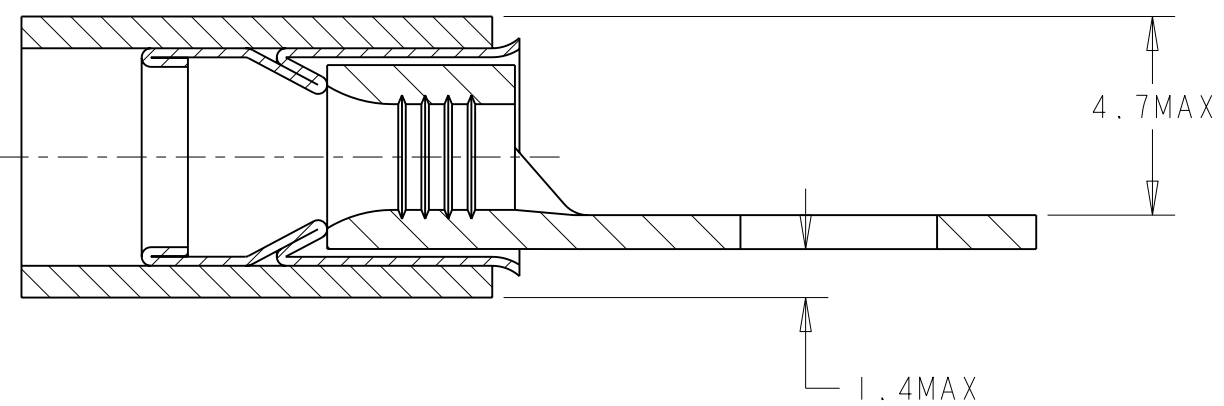


THIS DRAWING IS UNPUBLISHED. RELEASED FOR PUBLICATION 20
 © COPYRIGHT 20 BY TYCO ELECTRONICS CORPORATION. ALL RIGHTS RESERVED.

LOC	DIST	REVISIONS			
P	LTR	DESCRIPTION	DATE	DWN	APVD
F	00	B	ECR 07-025006	29OCT2007	JT GR

COUPE C-C



SCALE 2:1

WIRE TERMINAL	1577639-1	BODY : COPPER ANNEALED FINISH : NICKEL PLATED
		SLEEVE : COPPER ANNEALED FINISH : NICKEL PLATED
		INSULATION : PEEK COLOR : BEIGE
DESCRIPTION	PART NUMBER	MATERIAL & FINISH

<small>THIS DRAWING IS A CONTROLLED DOCUMENT FOR TYCO ELECTRONICS CORPORATION IT IS SUBJECT TO CHANGE AND THE CONTROLLING ENGINEERING ORGANIZATION SHOULD BE CONTACTED FOR THE LATEST REVISION.</small>		DWN	22FEB2006	 Tyco Electronics France SAS 95300 Pontoise, France
DIMENSIONS: mm		CHK	22FEB2006	
TOLERANCES UNLESS OTHERWISE SPECIFIED:		APVD	22FEB2006	
0 PLC ±- 1 PLC ±0.3 2 PLC ±- 3 PLC ±- 4 PLC ±- ANGLES ±5		NAME	Y. PETRONIN	
MATERIAL	SEE TABLE	FINISH	SEE TABLE	PRODUCT SPEC 108-15356 APPLICATION SPEC 114-15102 WEIGHT 1,21 gr
CUSTOMER DRAWING				NAME TERMINAL, PEEK PIDG STRATO, 14-12 AWG SIZE A3 CAGE CODE 00779 DRAWING NO C-1577639 RESTRICTED TO -
SCALE 6:1				SHEET 1 OF 1 REV B

Mouser Electronics

Authorized Distributor

Click to View Pricing, Inventory, Delivery & Lifecycle Information:

[TE Connectivity:](#)

[1577639-1](#)