

THIS DRAWING IS UNPUBLISHED.

RELEASED FOR PUBLICATION

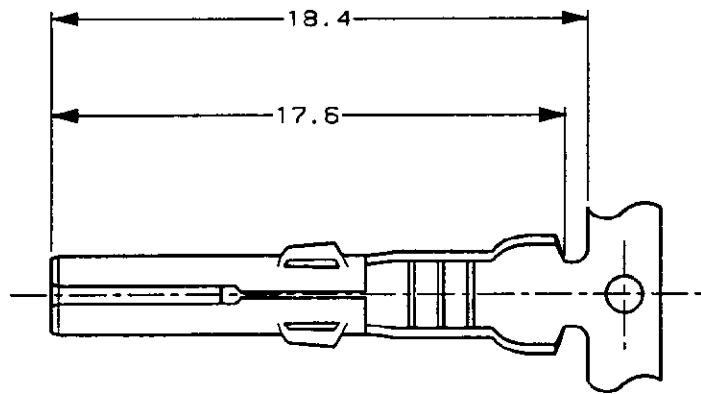
© COPYRIGHT

ALL RIGHTS RESERVED.

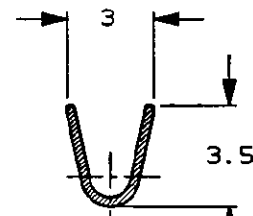
LOC DIST
J 01

REVISIONS

P	LTR	DESCRIPTION	DATE	DWN	APVD
C1		REVISED PER ECO-11-005294	05APR11	RK	HMR



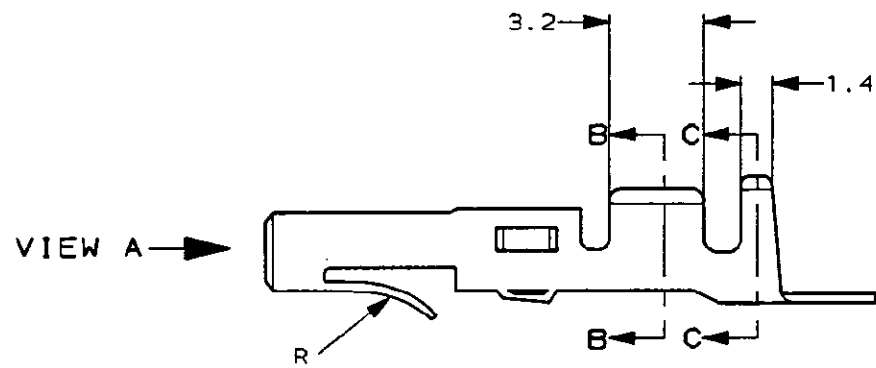
VIEW A



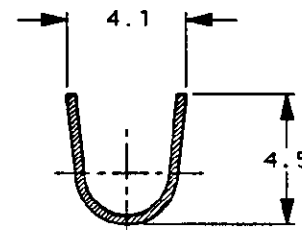
SECT B-B

注記
 △ 製品規格 108-5037

NOTE
 △ PRODUCT SPEC. 108-5037



VIEW A



SECT C-C

170120-4	リン青銅	0.32t	錫めっき済	170121-4
170120-1	黄銅	0.32t	錫めっき済	170121-1
型番	材料		仕上	LP型番

DIMENSIONS 単位: 概 mm		TOLERANCES UNLESS OTHERWISE SPECIFIED	
		一般公差	10% ±0.2
		30% ±0.25	100% ±0.3
MATERIAL 材料		FINISH 仕上	
SEE TABLE 表参照		SEE TABLE 表参照	

WIRE RANGE 包合電線断面積 0.50-2.27mm ² /AWG#20-#14		INSULATION DIA 被覆外径 MAX 3.3mm 最大 3.3mm	
DWN Y. TANAKA 8/FEB/'74		CHK T. IMAIZUMI 8/FEB/'74	
APVD Y. SATO 12/FEB/'74		NAME 名称	
TE Connectivity			
MATE-N-LOK SOCKET メイテンロック ソケット			
SIZE A3	CAGE CODE 00779	DRAWING NO 番号	170120
CUSTOMER DRAWING		SCALE 尺度 4-1	SHEET 1 OF 1 REV C1

Mouser Electronics

Authorized Distributor

Click to View Pricing, Inventory, Delivery & Lifecycle Information:

[TE Connectivity:](#)

[170120-1](#)