

4

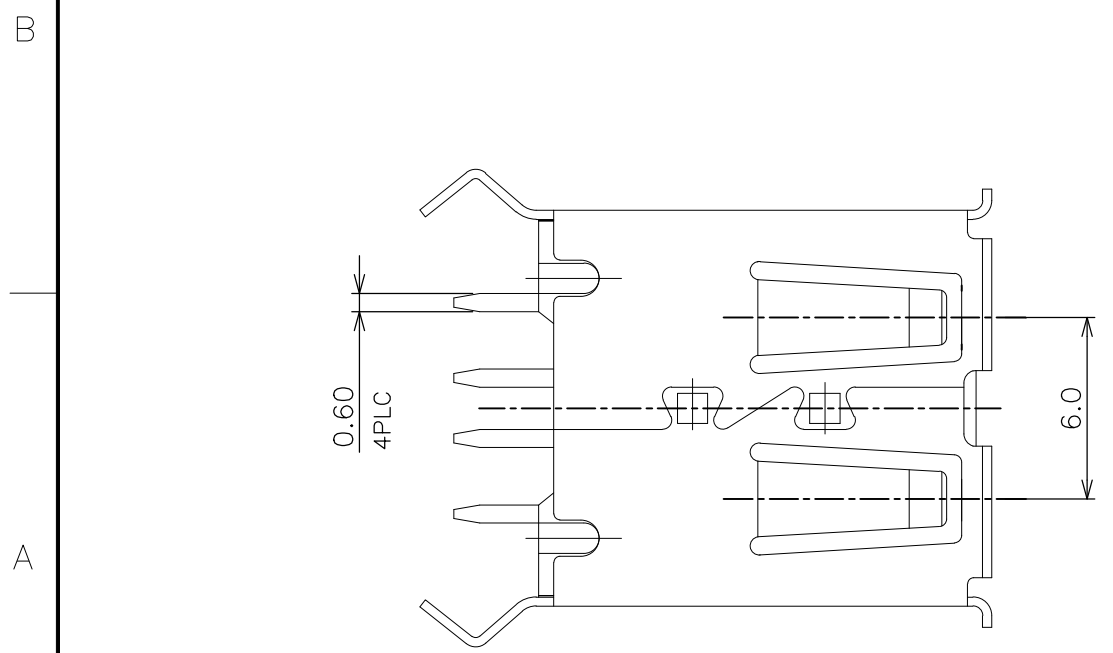
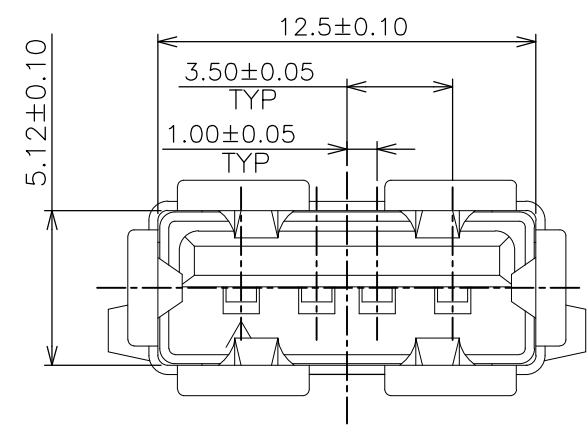
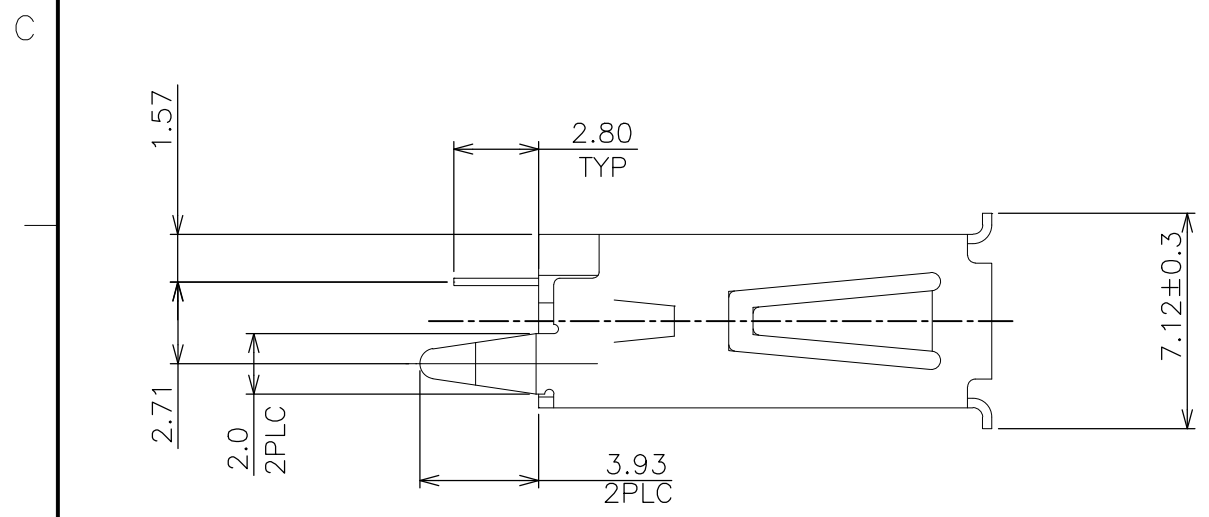
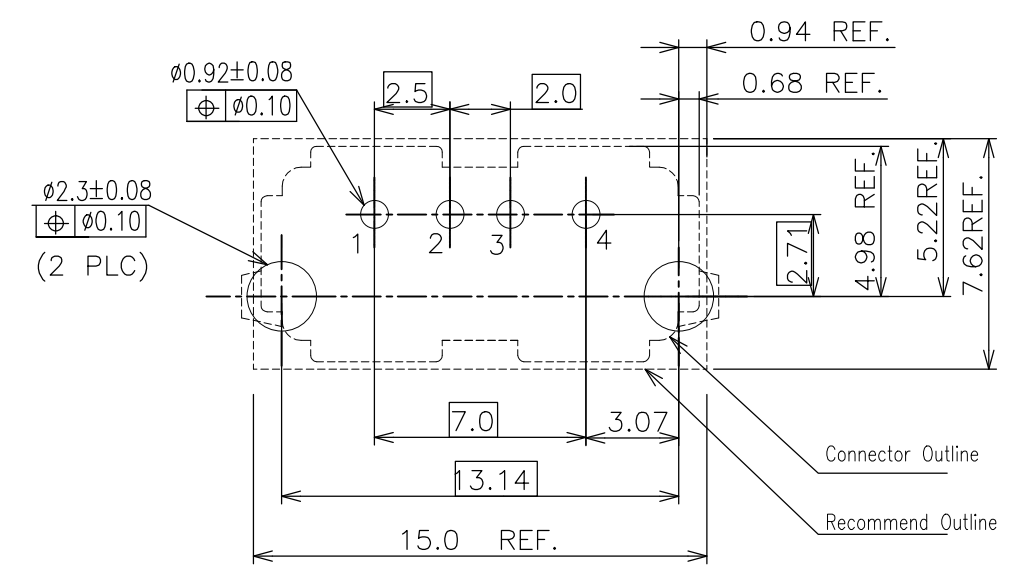
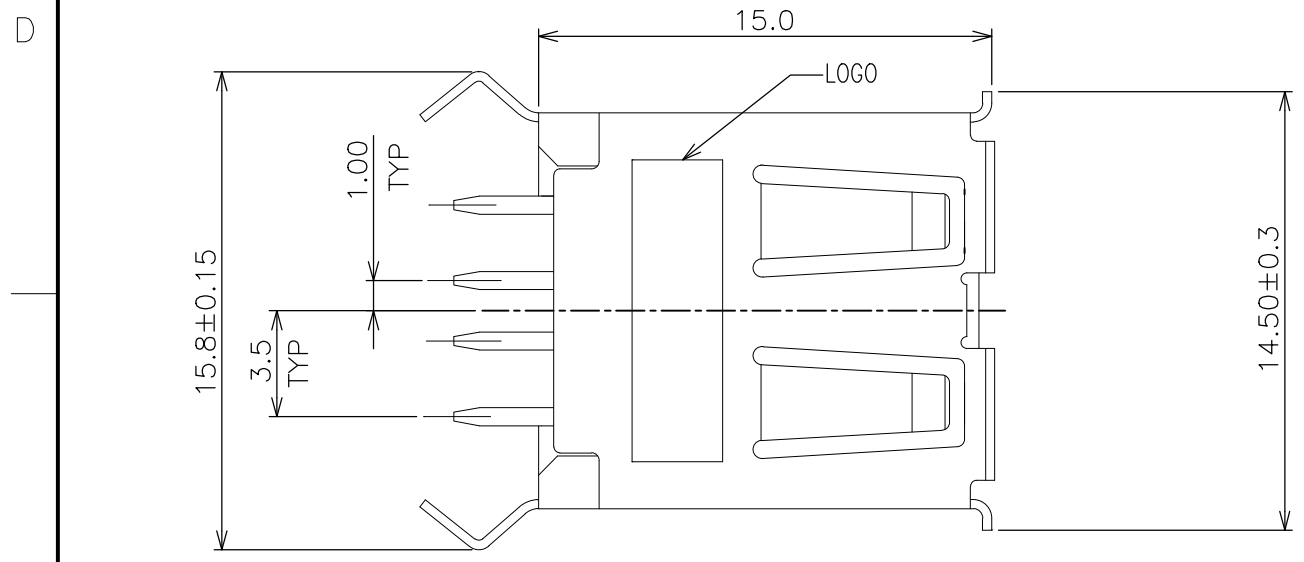
3

2

1

THIS DRAWING IS UNPUBLISHED. RELEASED FOR PUBLICATION  
 © COPYRIGHT BY TYCO ELECTRONICS CORPORATION. ALL RIGHTS RESERVED.

LOC	DIST	REVISIONS			
P	LTR	DESCRIPTION	DATE	DWN	APVD
DW		C5 REVISED PER E-17-008108	6JUN17	A.X	H.W



RECOMMENDED P.C. BOARD LAYOUT(T=1.6)

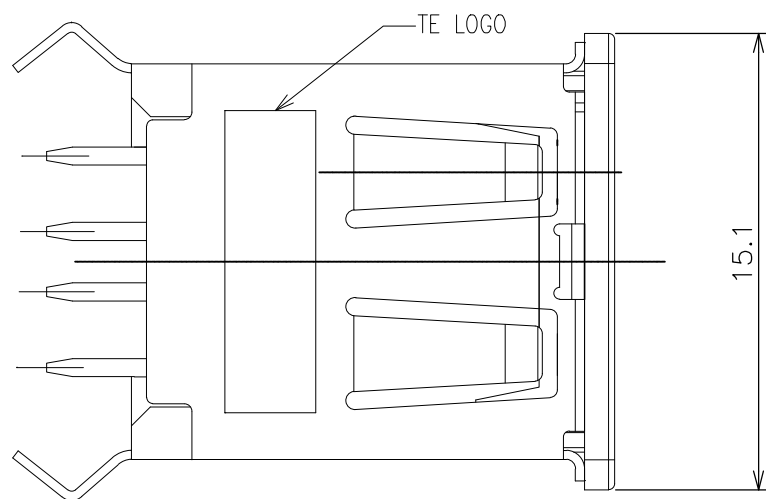
- NOTE:  
 1. MATERIAL:  
 △ HOUSING: PBT(SOLDER CAPABLE,UL 94-V0,COLOR:SEE TABLE.)  
 △ HOUSING: PA9T(REFLOW CAPABLE,UL 94-V0,COLOR:SEE TABLE.)  
 CAP: LCP(REFLOW CAPABLE,UL 94-V0,COLOR:BLACK.)  
 BACK STOPPER: PBT(SOLDER CAPABLE,UL 94-V0,COLOR:BLACK.)  
 CONTACT: PHOSPHOR BRONZE, THICKNESS =0.25mm.  
 SHIELD: BRASS, THICKNESS=0.30mm.  
 2. FINISH:  
 CONTACT:GOLD FLASH OVER  
 0.762um[30u"]MIN. PALLADIUM-NICKEL PLATED ON CONTACT  
 2.54um[100u"]MIN. MATTE-TIN ON SOLDER TAILS,  
 1.27um[50u"]MIN. NICKEL UNDERPLATED ALL OVER.  
 △ SHIELD: 2.54um [100u"] MIN. TIN PLATED OVER  
 1.27um [50u"] MIN. NICKEL UNDERPLATED  
 △ SHIELD: 0.762-2.03um [30-80u"] SOLDERABLE NICKEL  
 OVER 0.762-2.03um [30-80u"] COPPER

SEE SHEET 4	BLACK	1734366-5	△	△
SEE SHEET 5	BLACK	1734366-4	△	△
	BLUE	1734366-3		
SEE SHEET 4	WHITE	1734366-2	△	△
	BLACK	1734366-1		
PACKING	HSG'S COLOR	PART NUMBER	HOUSING MATERIAL	SHIELD FINISH

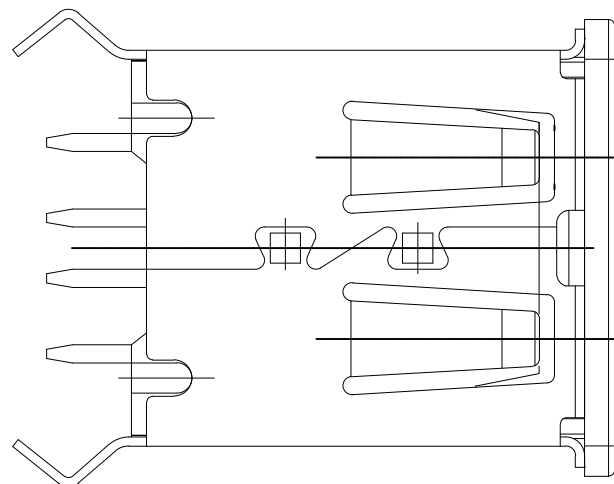
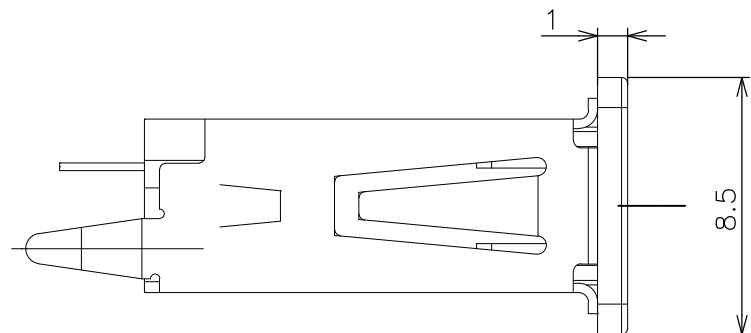
THIS DRAWING IS A CONTROLLED DOCUMENT.		DWN S. CHIEN 19SEP2008	TE Connectivity			
		CHK S. CHIEN 19SEP2008				
		APVD W.KODAMA 19SEP2008	NAME			
DIMENSIONS: mm 		PRODUCT SPEC 108-57547	RECEIPT ASSY,VERTICAL,4POSITION THRU-HOLE,TYPE A USB			
TOLERANCES UNLESS OTHERWISE SPECIFIED: 0 PLC ± 0.38 1 PLC ± 0.25 2 PLC ± 0.13 3 PLC ± 0.05 ANGLES ± 2° FINISH SEE NOTE		APPLICATION SPEC 501-57635				
MATERIAL SEE NOTE		WEIGHT 1.82 GRAMS	SIZE A3	CAGE CODE 00779	DRAWING NO C=1734366	RESTRICTED TO
		CUSTOMER DRAWING	SCALE -	SHEET 1 OF 6	REV C5	

THIS DRAWING IS UNPUBLISHED. RELEASED FOR PUBLICATION  
 © COPYRIGHT BY TYCO ELECTRONICS CORPORATION. ALL RIGHTS RESERVED.

LOC		DIST		REVISIONS			
P	LTR	DESCRIPTION	DATE	DWN	APVD		



1734366-6 AS SHOW  
 OTHER DIMENSIONS ARE THE SAME AS SHEET1



SEE SHEET 6	BLACK	1734366-6	△	△
PACKING	HSG'S COLOR	PART NUMBER	HOUSING MATERIAL	SHIELD FINISH

THIS DRAWING IS A CONTROLLED DOCUMENT.		DWN			
DIMENSIONS: mm		CHK			
TOLERANCES UNLESS OTHERWISE SPECIFIED:		APVD	NAME		
0 PLC ± 0.38 1 PLC ± 0.25 2 PLC ± 0.13 3 PLC ± 0.05		PRODUCT SPEC	RECEPT ASSY,VERTICAL,4POSITION THRU-HOLE,TYPE A USB		
ANGLES ± 2° FINISH		APPLICATION SPEC	SIZE	CAGE CODE	DRAWING NO
MATERIAL		WEIGHT	A3	00779	C=1734366
CUSTOMER DRAWING			SCALE	SHEET	REV
			-	2 OF 6	C5

4

3

2

1

THIS DRAWING IS UNPUBLISHED.

RELEASED FOR PUBLICATION

-. -. .

© COPYRIGHT

BY TYCO ELECTRONICS CORPORATION.

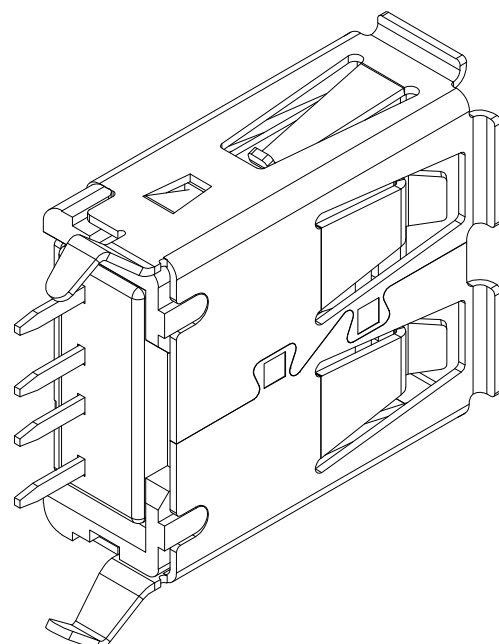
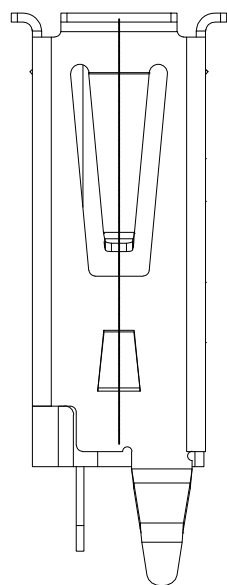
ALL RIGHTS RESERVED.

LOC  
DW

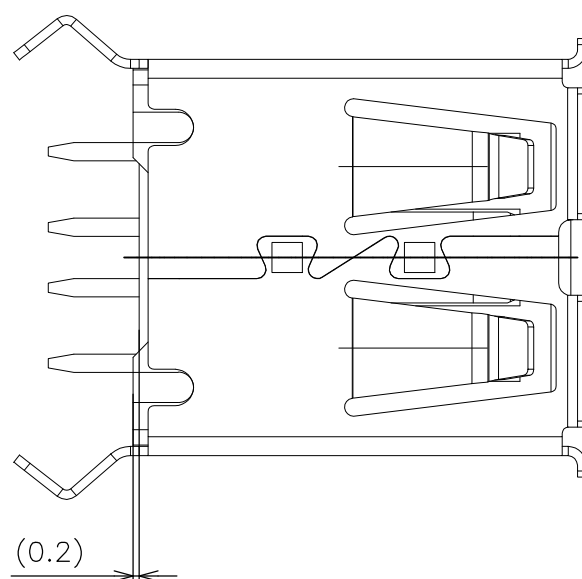
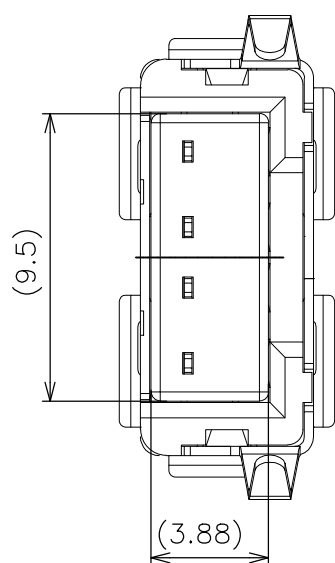
DIST  
/

REVISIONS


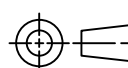
P	LTR	DESCRIPTION	DATE	DWN	APVD



1734366-7 AS SHOW  
OTHER DIMENSIONS ARE THE SAME AS SHEET1

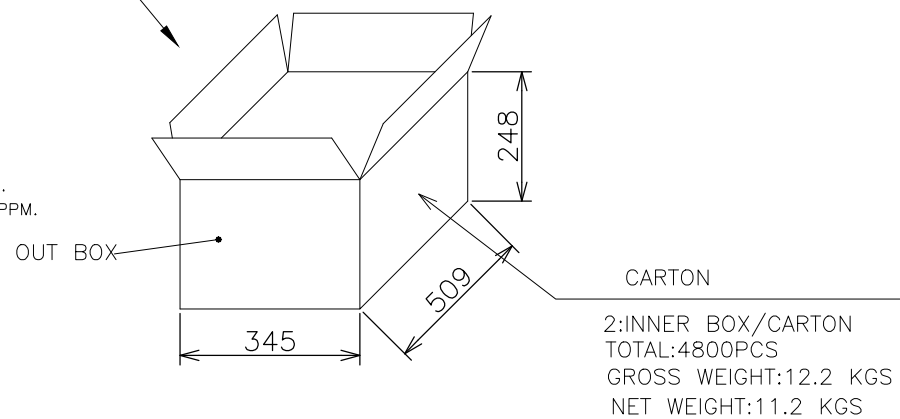
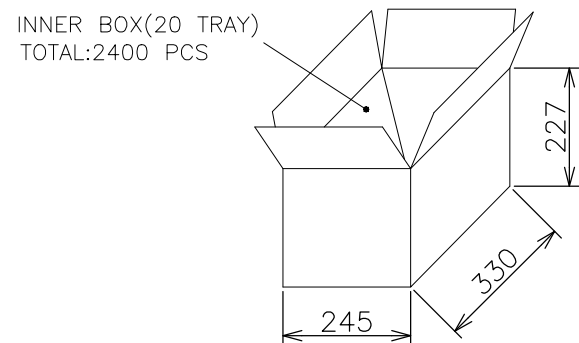
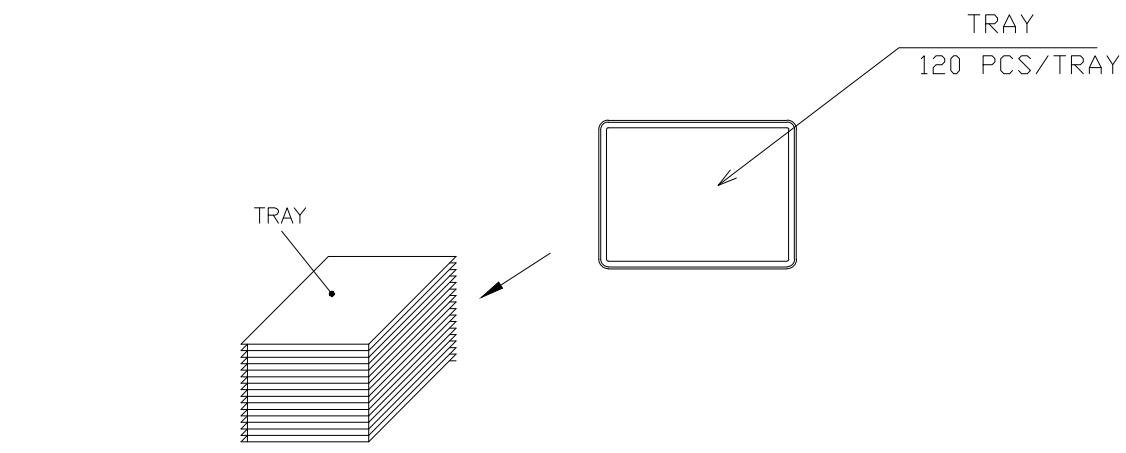


SEE SHEET 4	BLACK	1734366-7	△	△
PACKING	HSG'S COLOR	PART NUMBER	HOUSING MATERIAL	SHIELD FINISH

THIS DRAWING IS A CONTROLLED DOCUMENT.		DWN	 <b>TE Connectivity</b>		
DIMENSIONS: mm 		CHK			
TOLERANCES UNLESS OTHERWISE SPECIFIED: 0 PLC ± 0.38 1 PLC ± 0.25 2 PLC ± 0.13 3 PLC ± 0.05 ANGLES ± 2° MATERIAL FINISH		APVD	SIZE CAGE CODE DRAWING NO RESTRICTED TO A3 00779 C=1734366		
		PRODUCT SPEC	SCALE		
		APPLICATION SPEC	SHEET 3 OF 6		
		WEIGHT	REV C5		
		CUSTOMER DRAWING			

THIS DRAWING IS UNPUBLISHED. RELEASED FOR PUBLICATION  
 © COPYRIGHT BY TYCO ELECTRONICS CORPORATION. ALL RIGHTS RESERVED.

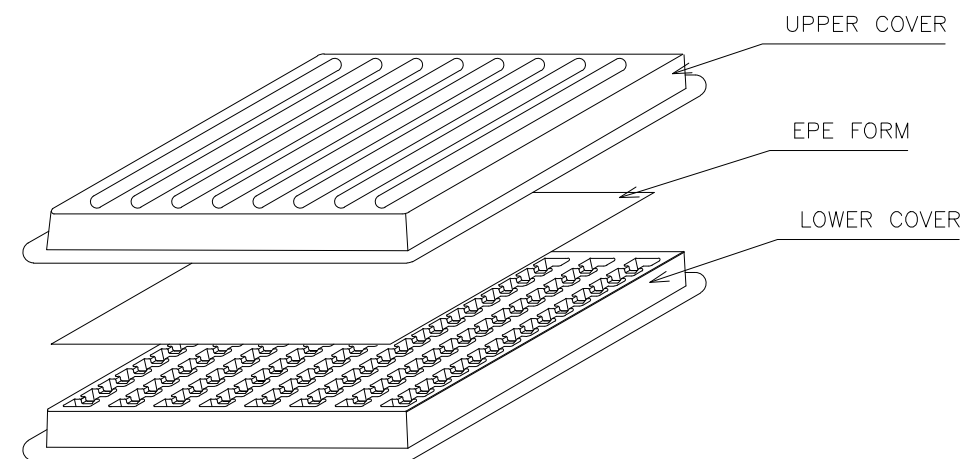
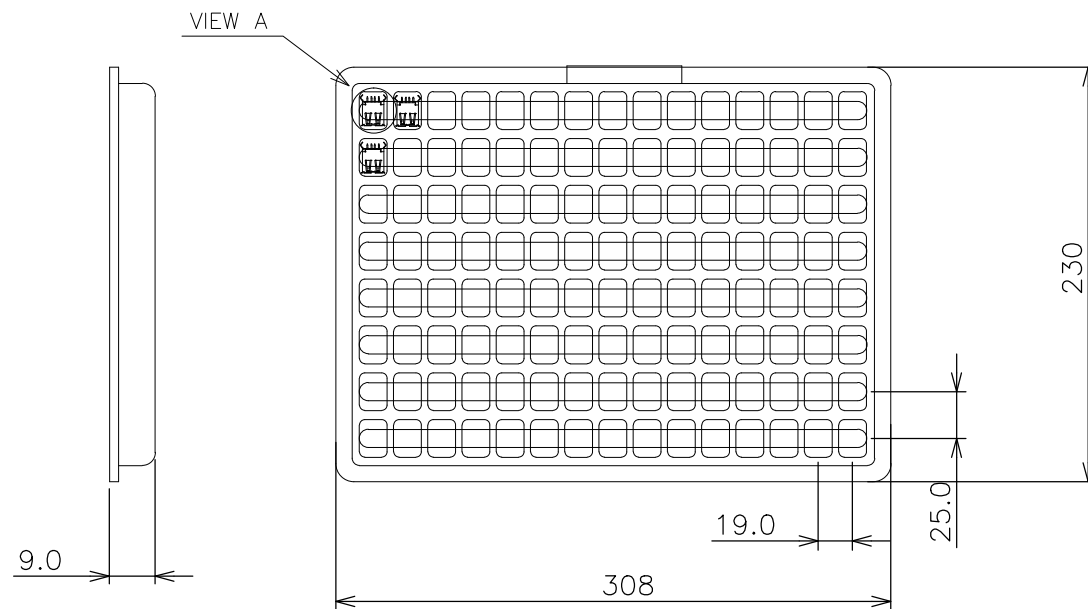
LOC	DIST	REVISIONS			
P	LTR	DESCRIPTION	DATE	DWN	APVD



NOTE :  
 1. PACKAGING MATERIAL IN PLASTIC, RUBBER, INK, PIGMENT AND PAINT MUST MEET CONTROLLED SUBSTANCES SPEC PER 230-702.  
 \* CADMIUM AND CADMIUM COMPOUNDS NOT TO EXCEED:5 PPM.  
 \* LEAD, CADMIUM, CHROM VI AND MERCURY NOT TO EXCEED:100 PPM (COMBINED).  
 2. MATERIAL :  
 TRAY: PVC, UPPER COVER THICKNE=0.3MM.  
 LOWER COVER THICKNE=0.4MM

2: INNER BOX/CARTON  
 TOTAL: 4800PCS  
 GROSS WEIGHT: 12.2 KGS  
 NET WEIGHT: 11.2 KGS

USE THE TAPE TO FIX THE TRAY(4X)

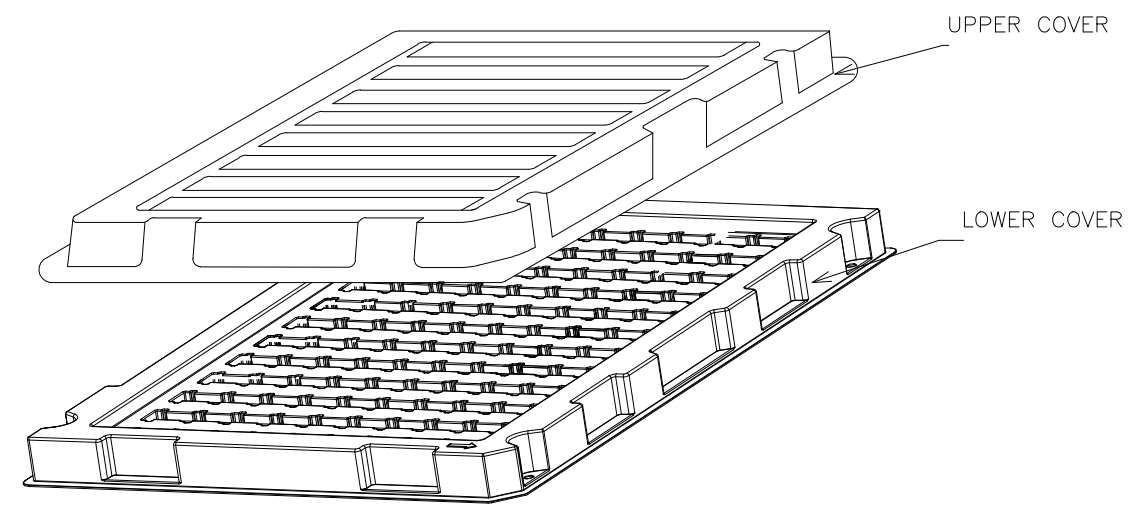
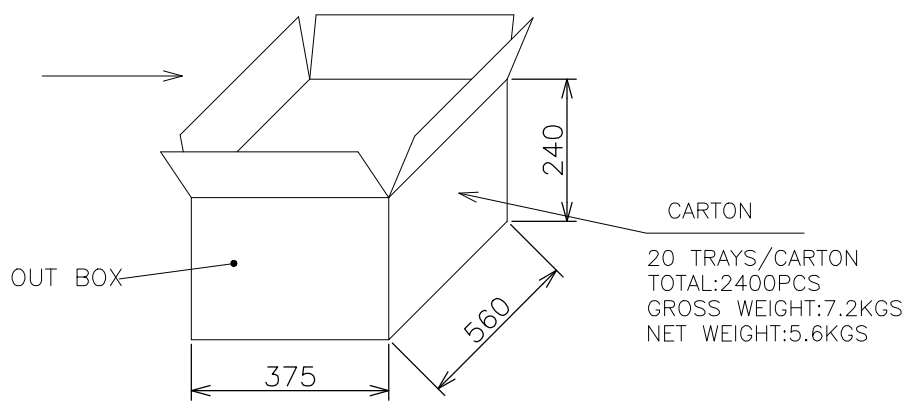
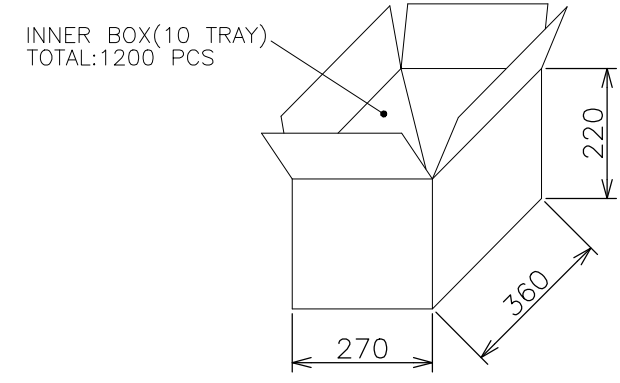
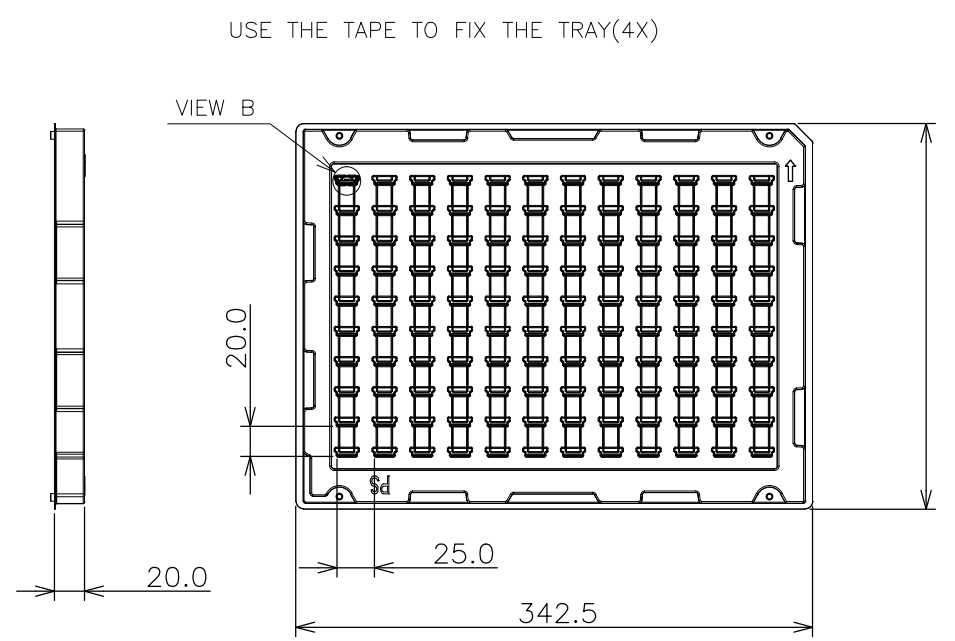
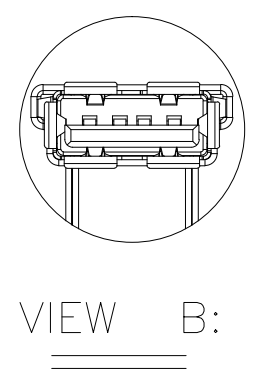
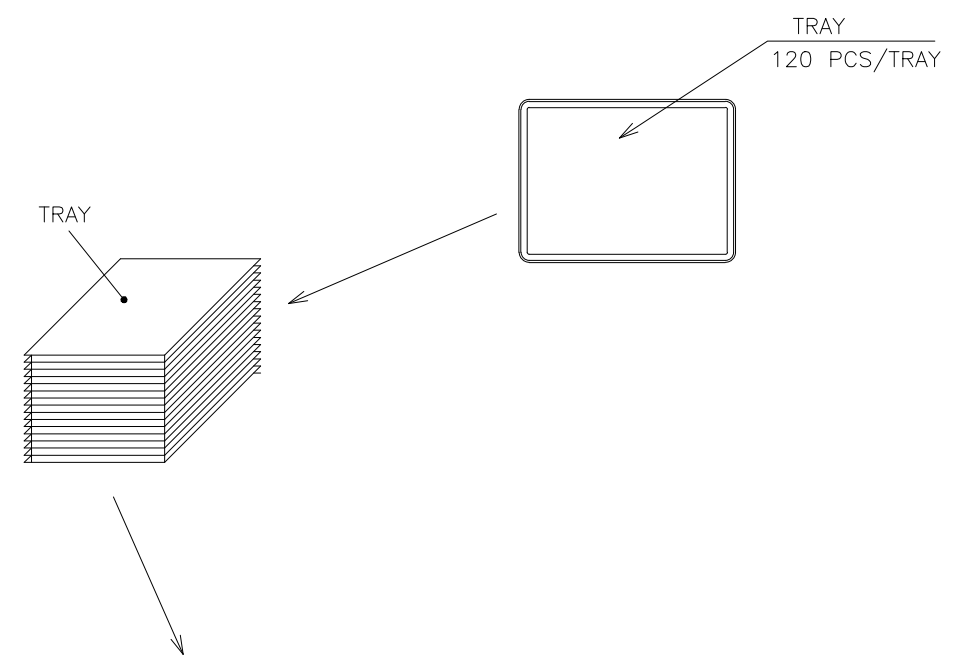


4800	1734366-7
4800	1734366-5
4800	1734366-2
4800	1734366-1
QTY	PART NUMBER

THIS DRAWING IS A CONTROLLED DOCUMENT.		DWN	TE Connectivity		
DIMENSIONS: mm		CHK	NAME		
		APVD	RECEIPT ASSY, VERTICAL, 4 POSITION THRU-HOLE, TYPE A USB		
TOLERANCES UNLESS OTHERWISE SPECIFIED:		PRODUCT SPEC	SIZE	CAGE CODE	DRAWING NO
0 PLC ± -		APPLICATION SPEC	A3	00779	C=1734366
1 PLC ± 0.3		WEIGHT	RESTRICTED TO		
2 PLC ± 0.2		CUSTOMER DRAWING	SCALE	SHEET	REV
3 PLC ± 0.15			-	4 OF 6	C5
4 PLC ± -					
ANGLES ± 3°					
MATERIAL					
FINISH					

THIS DRAWING IS UNPUBLISHED. RELEASED FOR PUBLICATION  
 © COPYRIGHT BY TYCO ELECTRONICS CORPORATION. ALL RIGHTS RESERVED.

LOC	DIST	REVISIONS			
P	LTR	DESCRIPTION	DATE	DWN	APVD
DW					



NOTE :  
 1. PACKAGING MATERIAL IN PLASTIC, RUBBER,INK,PIGMENT AND PAINT MUST MEET CONTROLLED SUBSTANCES SPEC PER 230-702.  
 \* CADMIUM AND CADMIUM COMPOUNDS NOT TO EXCEED:5 PPM.  
 \* LEAD,CADMIUM,CHROM VI AND MERCURY NOT TO EXCEED:100 PPM(COMBINED).  
 2. MATERIAL :  
 TRAY: PS, UPPER COVER THICKNE=0.5MM. LOWER COVER THICKNE=0.7MM

2400	1734366-4
2400	1734366-3
QTY	PART NUMBER

THIS DRAWING IS A CONTROLLED DOCUMENT.		DWN	TE Connectivity	
DIMENSIONS: mm		CHK	RECEIPT ASSY,VERTICAL,4POSITION THRU-HOLE,TYPE A USB	
TOLERANCES UNLESS OTHERWISE SPECIFIED:		APVD	NAME	
0 PLC ± -		PRODUCT SPEC	SIZE CAGE CODE DRAWING NO RESTRICTED TO	
1 PLC ± 0.3		APPLICATION SPEC	A3 00779 C=1734366	
2 PLC ± 0.2		WEIGHT	SCALE SHEET 5 of 6 REV C5	
3 PLC ± 0.15		CUSTOMER DRAWING		
4 PLC ANGLES ± 3'				
MATERIAL FINISH				

4

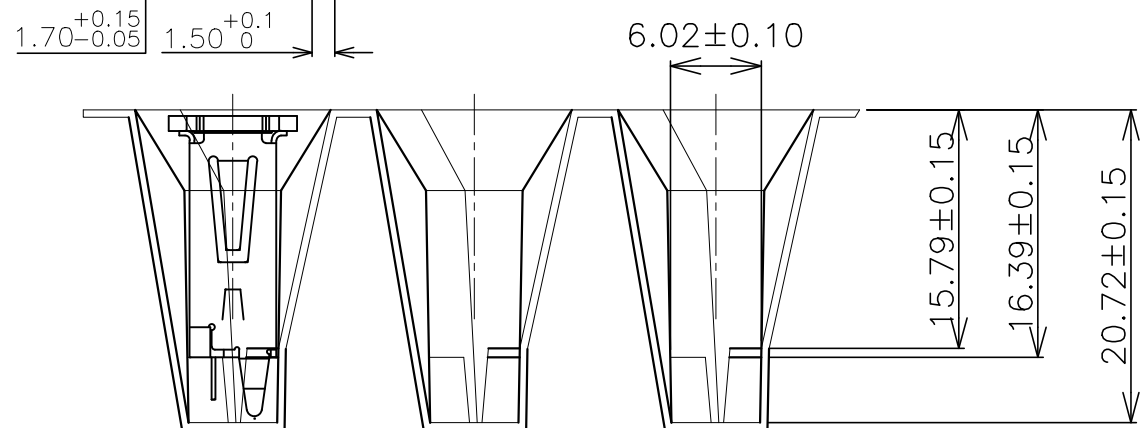
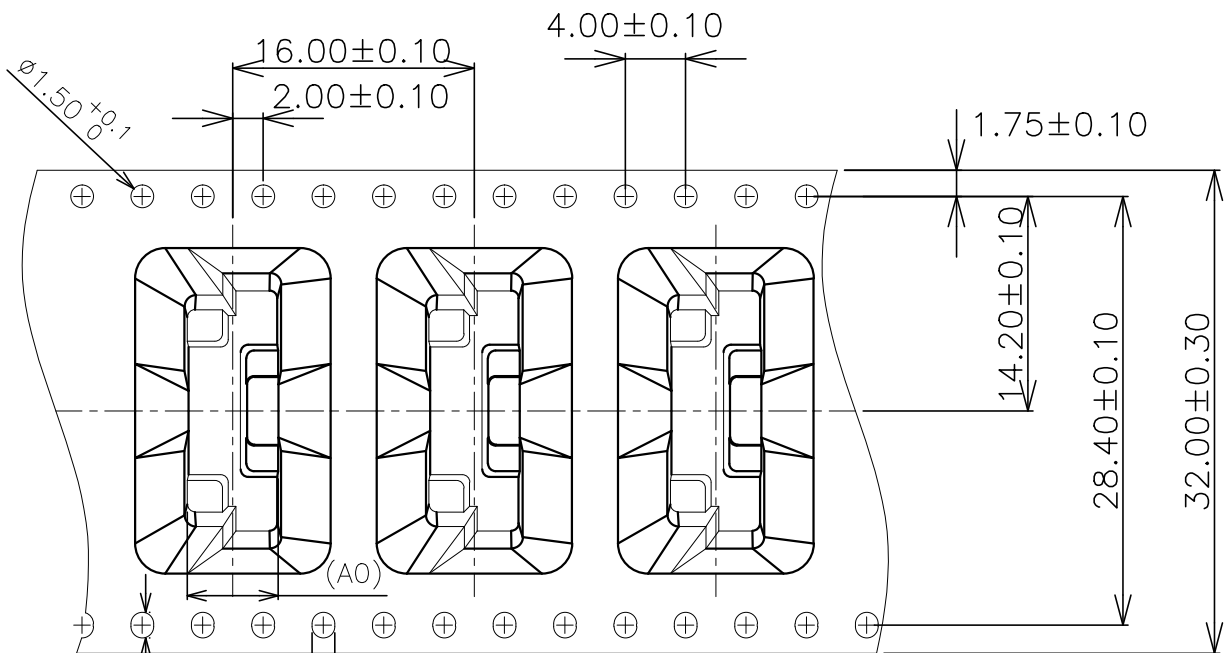
3

2

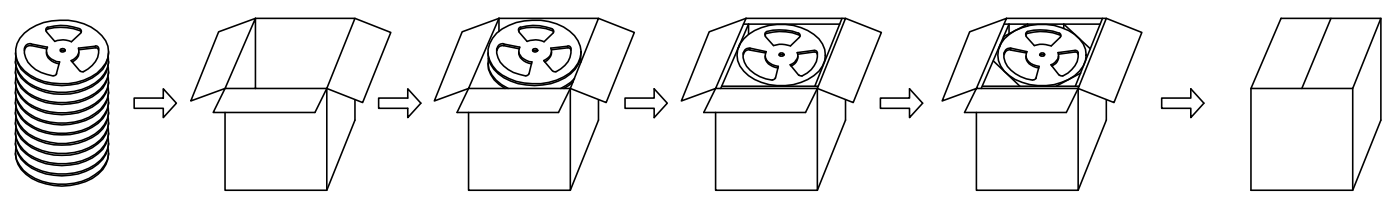
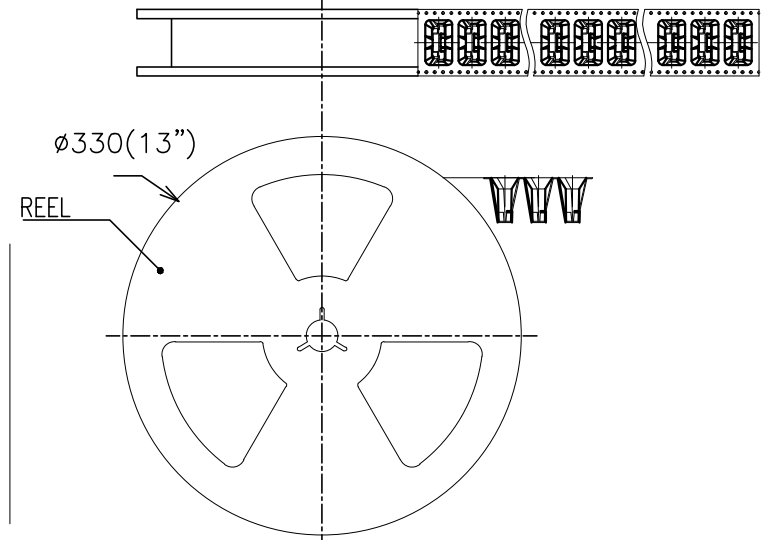
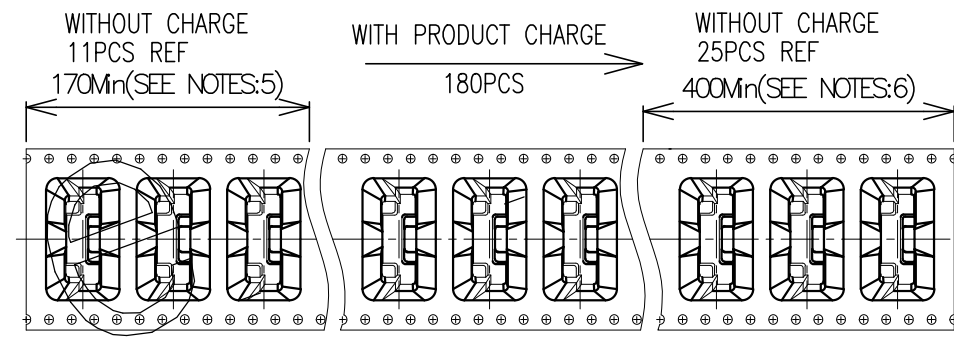
1

THIS DRAWING IS UNPUBLISHED. RELEASED FOR PUBLICATION  
 © COPYRIGHT BY TYCO ELECTRONICS CORPORATION. ALL RIGHTS RESERVED.

LOC	DIST	REVISIONS					
		P	LTR	DESCRIPTION	DATE	DWN	APVD
DW	/						



NOTE :  
 1. PACKAGING MATERIAL IN PLASTIC, RUBBER, INK, PIGMENT AND PAINT  
 MUST MEET CONTROLLED SUBSTANCES SPEC PER 230-702.  
 \* CADMIUM AND CADMIUM COMPOUNDS NOT TO EXCEED:5 PPM.  
 \* LEAD, CADMIUM, CHROM VI AND MERCURY NOT TO EXCEED:100 PPM (COMBINED).  
 2. MATERIAL :  
 REEL: BLACK CONDUCTIVE POLYSTYRENE ALLOY



OUT BOX PACKAGE DIAGRAM DRAWING

1440	1734366-6
QTY	PART NUMBER

THIS DRAWING IS A CONTROLLED DOCUMENT.		DWN	TE Connectivity	
DIMENSIONS: mm		CHK	RECEIPT ASSY, VERTICAL, 4 POSITION THRU-HOLE, TYPE A USB	
TOLERANCES UNLESS OTHERWISE SPECIFIED:		APVD	NAME	
0 PLC ± -		PRODUCT SPEC	SIZE	CAGE CODE
1 PLC ± 0.3		APPLICATION SPEC	A3	00779
2 PLC ± 0.2		WEIGHT	DRAWING NO C=1734366	
3 PLC ± 0.15		CUSTOMER DRAWING	RESTRICTED TO	
4 PLC ± -		SCALE	SHEET 6 OF 6	
ANGLES ± 3'		FINISH	REV C5	

# Mouser Electronics

Authorized Distributor

Click to View Pricing, Inventory, Delivery & Lifecycle Information:

[TE Connectivity:](#)

[1734366-1](#)