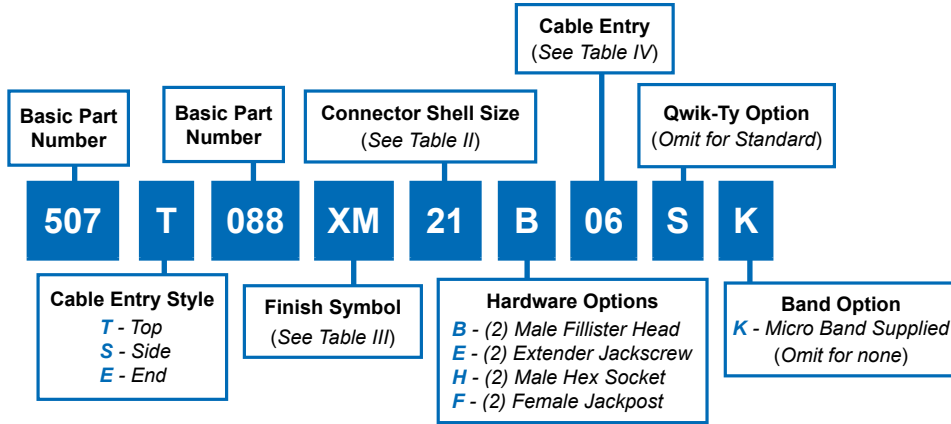
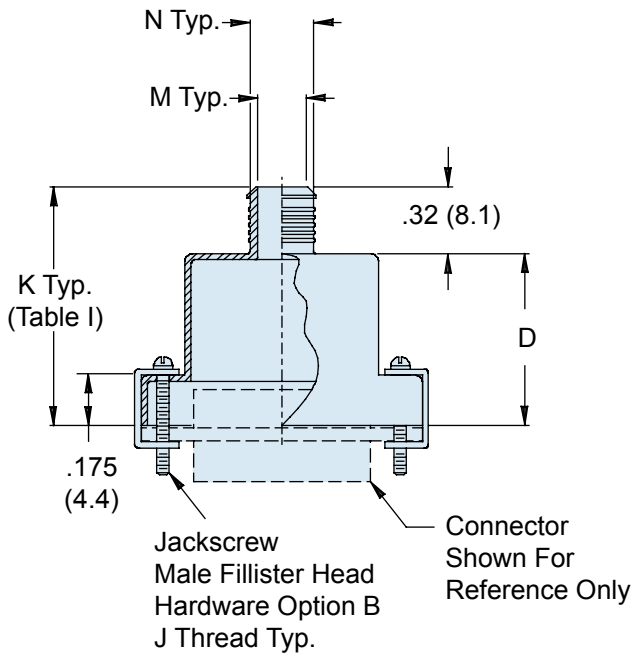


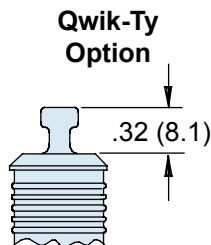
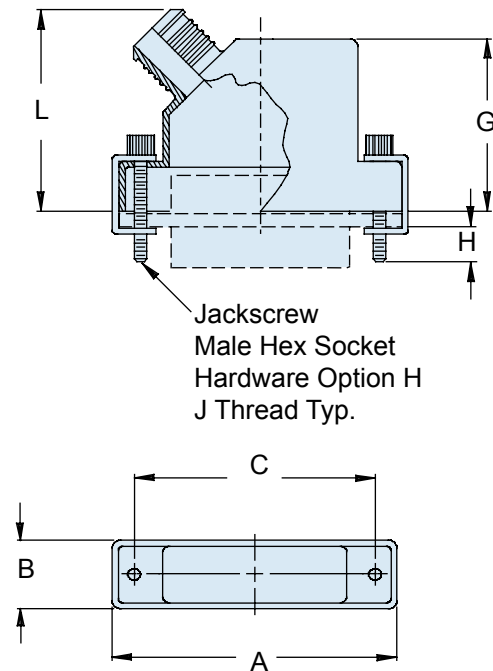
A



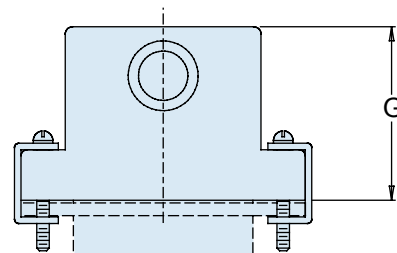
STYLE T - TOP ENTRY



STYLE E - 45° ENTRY



STYLE S SIDE ENTRY



507-088
Composite RFI/EMI Banding Backshell
for MIL-DTL-83513 Micro-D Connectors



TABLE II: CONNECTOR SHELL SIZE ORDER NUMBER

| SHELL SIZE | A | B | C | D | G |
|------------|--------------|------------|--------------|------------|--------------|
| 09 | .775 (19.7) | .36 (9.1) | .565 (14.4) | .43 (10.9) | .650 (16.5) |
| 15 | .925 (23.5) | .36 (9.1) | .715 (18.2) | .44 (11.2) | .700 (17.8) |
| 21 | 1.075 (27.3) | .36 (9.1) | .865 (22.0) | .56 (14.2) | .735 (18.7) |
| 25 | 1.175 (29.8) | .36 (9.1) | .965 (24.5) | .62 (15.7) | .800 (20.3) |
| 31 | 1.325 (33.7) | .36 (9.1) | 1.115 (28.3) | .68 (17.3) | .860 (21.8) |
| 37 | 1.475 (37.5) | .36 (9.1) | 1.265 (32.1) | .72 (18.3) | .925 (23.5) |
| 51 | 1.425 (36.2) | .40 (10.2) | 1.215 (30.9) | .75 (19.1) | .975 (24.8) |
| 100 | 2.160 (54.9) | .45 (11.4) | 1.800 (45.7) | .81 (20.6) | 1.050 (26.7) |

| SHELL SIZE | H | J THREAD | K ±.03 (0.8) | L MAX |
|------------|------------|------------|--------------------|-------------|
| 09 | .154 (3.9) | 2-56 UNC-2 | .75 (19.1) | 1.00 (25.4) |
| 15 | .154 (3.9) | 2-56 UNC-2 | .76 (19.3) | 1.03 (26.2) |
| 21 | .154 (3.9) | 2-56 UNC-2 | .88 (22.4) | 1.05 (26.7) |
| 25 | .154 (3.9) | 2-56 UNC-2 | .94 (23.9) | 1.09 (27.7) |
| 31 | .154 (3.9) | 2-56 UNC-2 | 1.00 (25.4) | 1.13 (28.7) |
| 37 | .154 (3.9) | 2-56 UNC-2 | 1.04 (26.4) | 1.16 (29.5) |
| 51 | .154 (3.9) | 2-56 UNC-2 | 1.07 (27.2) | 1.25 (31.8) |
| 100 | .194 (4.9) | 4-40 UNC-2 | 1.13 (28.7) | 1.32 (33.5) |

TABLE III: FINISH

| Symbol | Finish Description |
|--------|--|
| XM | 2000 Hour Corrosion Resistant Electroless Nickel |
| XMT | 2000 Hour Corrosion Resistant Ni-PTFE, Nickel-Fluorocarbon Polymer. <i>1000 Hour Grey™</i> |
| XW | 2000 Hour Corrosion Resistant Cadmium/Olive Drab over Electroless Nickel |

TABLE IV: CABLE ENTRY

| Entry Code | Shell Size | M Entry Dia | N Dia |
|------------|-------------|-------------|-------------|
| 04 | 09 THRU 100 | .125 (3.2) | .219 (5.6) |
| 05 | 09 THRU 100 | .156 (4.0) | .250 (6.4) |
| 06 | 09 THRU 100 | .188 (4.8) | .281 (7.1) |
| 07 | 09 THRU 100 | .219 (5.6) | .313 (8.0) |
| 08 | 09 THRU 100 | .250 (6.4) | .344 (8.7) |
| 09 | 31 THRU 100 | .281 (7.1) | .375 (9.5) |
| 10 | 51 THRU 100 | .312 (7.9) | .406 (10.3) |
| 11 | 100 ONLY | .344 (8.7) | .438 (11.1) |
| 12 | 100 ONLY | .375 (9.5) | .469 (11.9) |

APPLICATION NOTES

1. Metric dimensions (mm) are in parentheses and are for reference only.
2. These composite backshells meet the requirements of SAE AIR 4567 and AS85049.
3. See Table I in Intro for front-end dimensional details.

Mouser Electronics

Authorized Distributor

Click to View Pricing, Inventory, Delivery & Lifecycle Information:

[Glenair:](#)

[507T088XM09H08S](#) [507T088XM15H08S](#) [507T088XM31H09S](#)