

Easy-to-Use Magnetic Proximity Sensor

- Compact reed-switch size saves space on machines
- Ideal for door and cover closures in applications without operator hazards
- Separate sensor and magnet parts allow multiple magnet positions for a single sensor to detect



Ordering Information

Description	Part number
Sensor and magnet set	GLS-1
Sensor only	GLS-S1
Magnet only	GLS-M1

Specifications

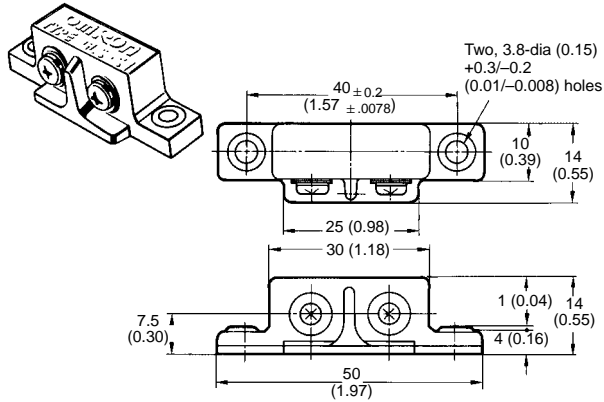
■ RATINGS

Sensing distance		15 mm (0.59 in) min. under the conditions specified in <i>Precautions</i>
Contact circuit		SPST-NO
Switching capacity		10 W max. at 100 VDC and 0.1 A max.
Contact dielectric strength		250 VDC for 1 min at a leakage current of 1 mA max.
Response frequency		20 Hz max.
Ambient temperature	Operating	-20°C to 60°C (-4°F to 140°F) with no icing
Contact resistance		150 mΩ max.
Dielectric strength		1,000 VAC for 1 min between each terminal and non-charged part
Life expectancy		50,000,000 times min. with 0.1-A resistive load at 24 VDC
Vibration resistance		Destruction: 10 to 55 Hz, 1.5-mm (0.059 in) double amplitude for 2 hours each in X, Y, and Z directions
Shock resistance		Destruction: 300 m/s ² (984 ft/sec ²) approx. 30G in X, Y, and Z directions.
Material	Case	ABS
	Sensing face	ABS
Enclosure rating		IP40

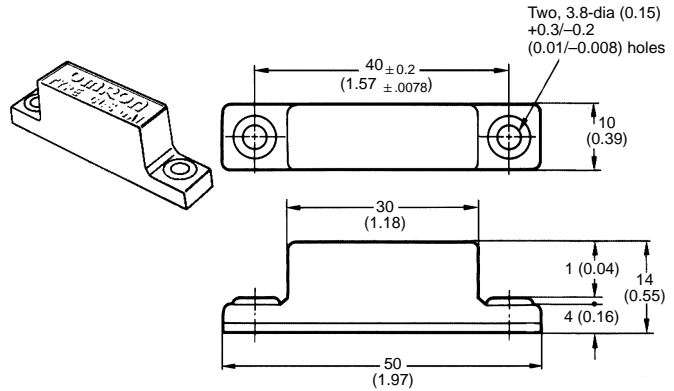
Dimensions

Unit: mm (inch)

GLS-S1



GLS-M1



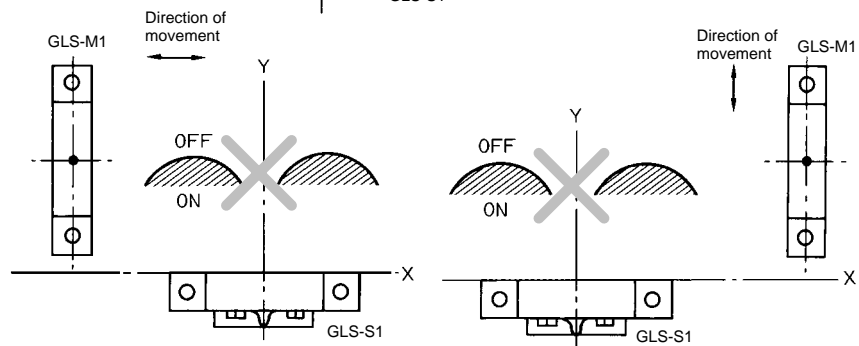
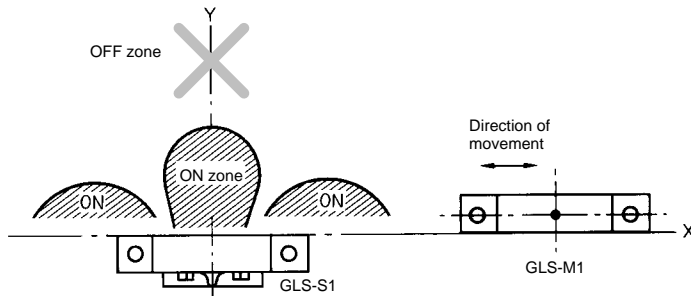
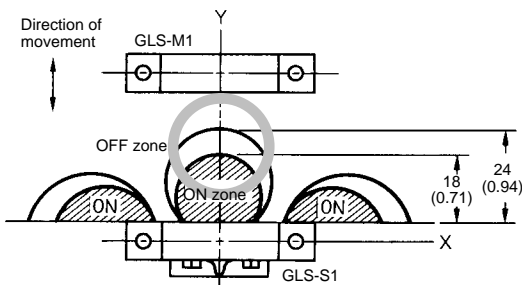
Precautions

MOUNTING

The characteristics of the GLS will change if the GLS is mounted to ferrous materials, such as a steel plate.

AVOID EXCESSIVE SHOCK

Do not impose excessive shock to the Sensor (e.g., dropping the Sensor from a height of 80 cm (31.49 in) or more), or the Sensor may malfunction.



NOTE: DIMENSIONS SHOWN ARE IN MILLIMETERS. To convert millimeters to inches divide by 25.4.

OMRON[®]
OMRON ELECTRONICS, INC.
One East Commerce Drive
Schaumburg, IL 60173
1-800-55-OMRON

OMRON CANADA, INC.
885 Milner Avenue
Scarborough, Ontario M1B 5V8
416-286-6465

Mouser Electronics

Authorized Distributor

Click to View Pricing, Inventory, Delivery & Lifecycle Information:

[Omron:](#)

[GLS-1](#) [GLS-S1](#)