

PLEASE CHECK WWW.MOLEX.COM FOR LATEST PART INFORMATION

Part Number: **0525592253**
Status: **Active**
Overview: FFC-FPC (SMT)
Description: Easy-On™ Type FFC/FPC Connector, Vertical, Surface Mount, ZIF, 22 Circuits, Gold (Au) Contact Plating

Documents:

[3D Model](#) [Packaging Specification 525599200-200 \(PDF\)](#)
[Drawing \(PDF\)](#) [RoHS Certificate of Compliance \(PDF\)](#)
[Product Specification PS-52559-014-001 \(PDF\)](#)

Agency Certification

UL E29179

General

Product Family FFC/FPC Connectors
Series [52559](#)
Overview [FFC-FPC \(SMT\)](#)
Product Name Easy-On™
UPC 822350045339

Physical

Circuits (Loaded) 22
Circuits (maximum) 22
Color - Resin Natural
Contact Position N/A
Durability (mating cycles max) 20
Entry Angle Vertical
Flammability 94V-0
Mated Height 3.90mm
Material - Metal Phosphor Bronze
Material - Plating Mating Gold
Material - Plating Termination Tin
Material - Resin High Temperature Thermoplastic
Net Weight 292.102/mg
Number of Rows 1
Orientation Vertical
PCB Locator No
PCB Retention Yes
Packaging Type Embossed Tape on Reel
Pitch - Mating Interface 0.50mm
Plating min - Mating 0.102µm
Plating min - Termination 1.016µm
Polarized to PCB No
Stackable No
Temperature Range - Operating -40°C to +85°C
Termination Interface: Style Surface Mount
Wire/Cable Type FFC/FPC

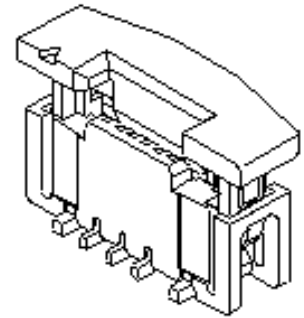
Electrical

Current - Maximum per Contact 0.5A
Voltage - Maximum 50V AC (RMS)/DC

Material Info

Reference - Drawing Numbers

Packaging Specification 525599200-200
Product Specification PS-52559-014-001



Series image - Reference only

EU ELV

Not Relevant

EU RoHS

Compliant

REACH SVHC

Not Contained Per -
ED/21/2016 (20 June
2016)

Halogen-Free

Status

Not Low-Halogen

Need more information on product environmental compliance?

Email productcompliance@molex.com
Please visit the [Contact Us](#) section for any non-product compliance questions.

China ROHS

ELV

RoHS Phthalates

Green Image

Not Relevant

Not Contained

Search Parts in this Series

[52559 Series](#)

Mates With

http://www.molex.com/product/premoflex_ffc-fpc.html>Molex Premo-Flex FFC. Be sure to match like plating

This document was generated on 12/21/2016

PLEASE CHECK WWW.MOLEX.COM FOR LATEST PART INFORMATION