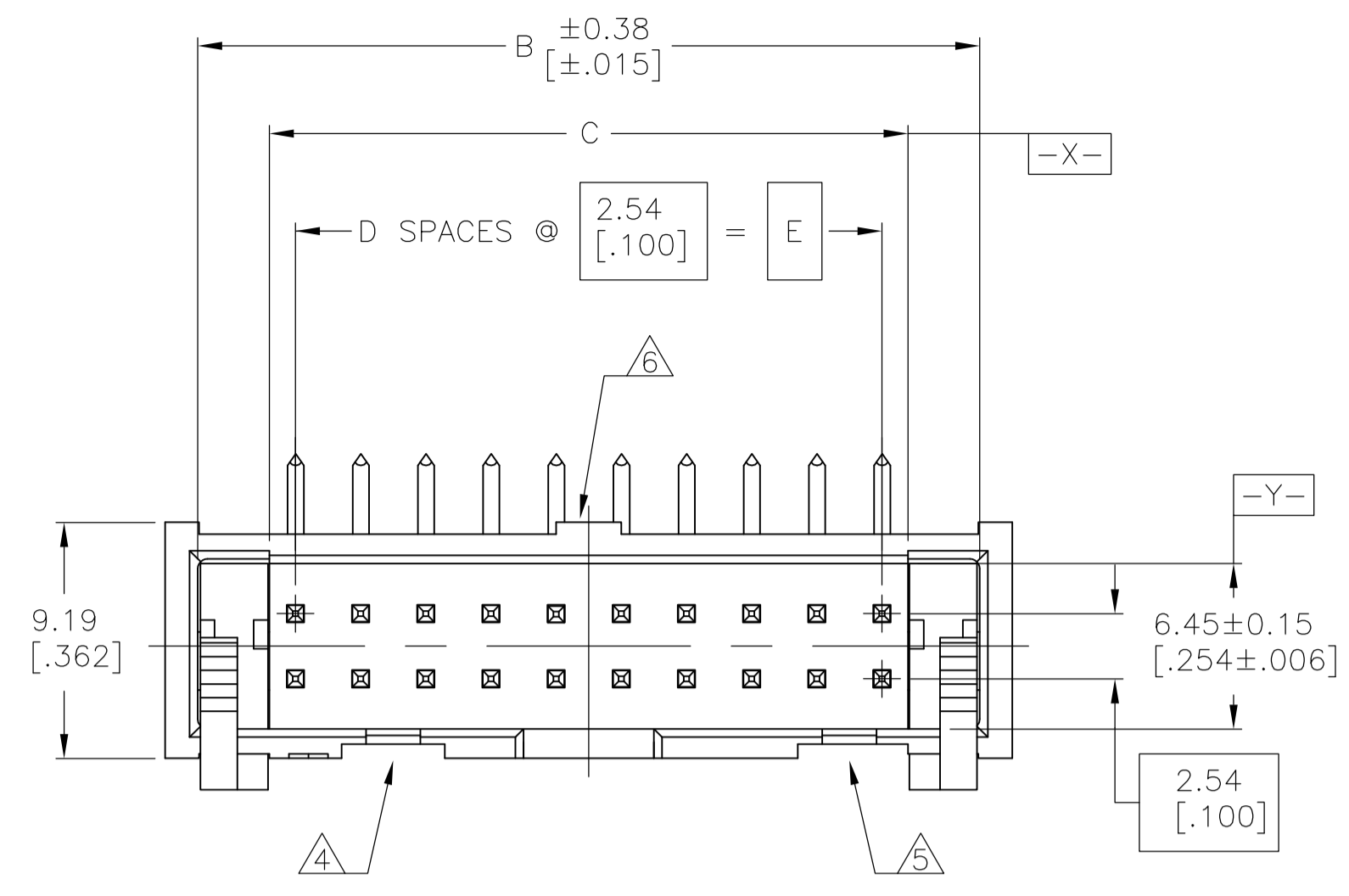
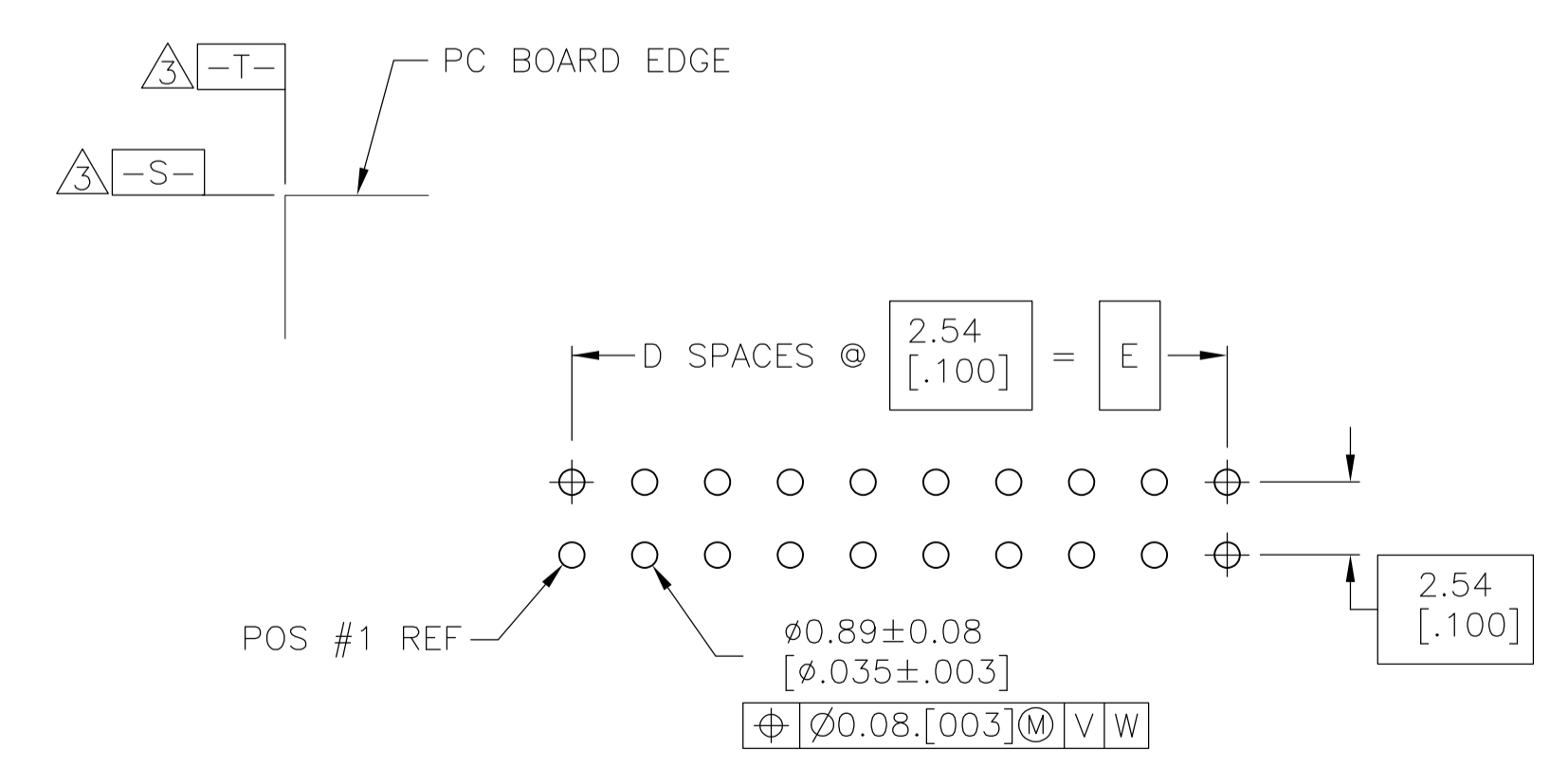
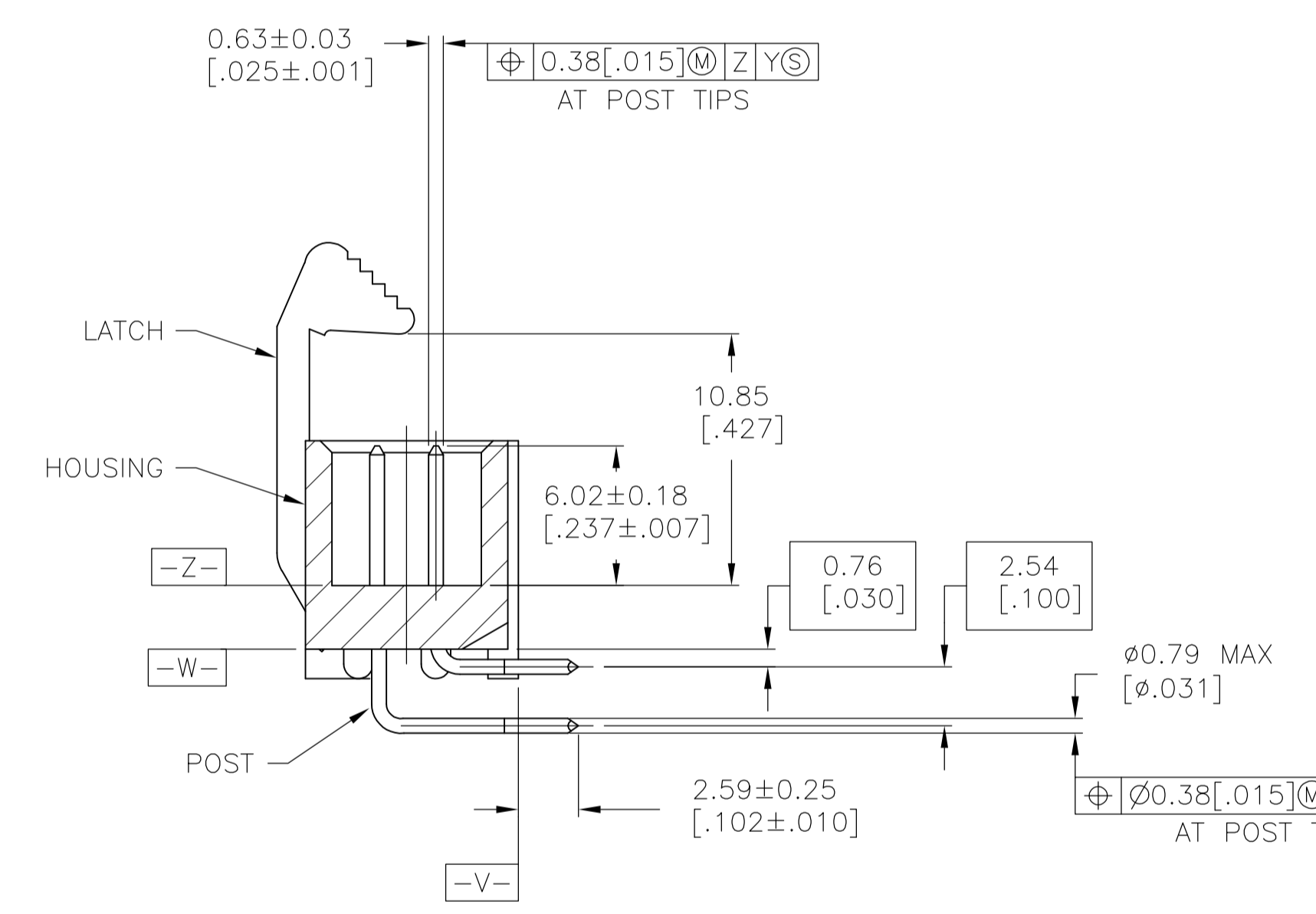
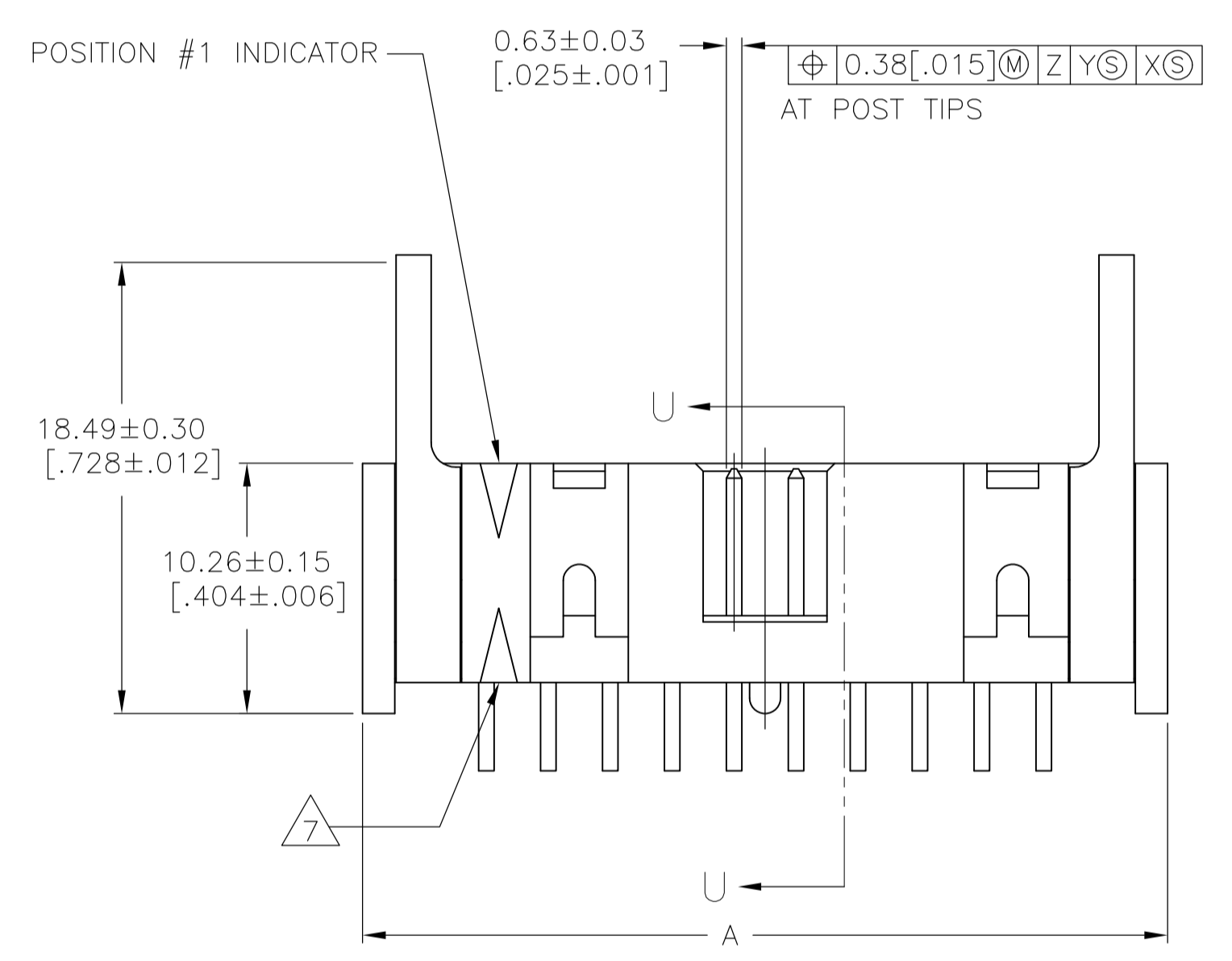


| LOC | | DIST | | REVISIONS | | | | |
|-----|----|------|-----|---------------------------|---------|----|------|--|
| GP | 00 | F | LTR | DESCRIPTION | DATE | DN | APVD | |
| | | F1 | | REVISED PER ECO-11-004835 | 11MAR11 | RK | HMR | |



- △ HOUSING: PBT, UL94V-0, COLOR: (SEE TABLE).
POSTS: PHOSPHOR BRONZE.
LATCHES: ZINC ALLOY.
- △ POSTS: GOLD FLASH OVER PALLADIUM-NICKEL PLATE, 0.76µm[.000030] MIN TOTAL ON MATING AREA, 2.54µm[.000100] MIN TIN PLATE ON SOLDER-TAIL, ALL OVER 1.27µm[.000050] MIN NICKEL UNDERPLATE ON ENTIRE POST.
OR
0.76µm[.000030] MIN GOLD PLATE ON MATING AREA, 2.54µm[.000100] MIN TIN PLATE ON THE SOLDER-TAIL, 1.27µm[.000050] MIN NICKEL UNDERPLATE ON THE ENTIRE POST.
LATCHES: BLACK NICKEL OVER COPPER.
- △ DATUMS S & T TO BE ESTABLISHED BY CUSTOMER.
- △ NO KEYING SLOT ON THIS END FOR 6, 10, 12, & 14 POSITION ASSEMBLIES.
- △ NO KEYING SLOT ON THIS END FOR 6 & 10 POSITION ASSEMBLIES.
- △ NO STANDOFF FOR 6, 10, 12, 14 & 16 POSITION ASSEMBLIES.
- △ ALTERNATE LOCATION/ORIENTATION FOR POSITION #1 INDICATOR.



RECOMMENDED PC BOARD LAYOUT
(VIEWED FROM CONNECTOR SIDE)

| OBSOLETE | | 78.74 [3.100] | 31 | 80.77 [3.180] | 86.26 [3.396] | 88.90 [3.500] | 64 | 3-1761609-7 |
|----------|---------------|------------------|----|------------------|------------------|------------------|-----------|-------------|
| OBSOLETE | | 73.66 [2.900] | 29 | 75.69 [2.980] | 81.18 [3.196] | 83.82 [3.300] | 60 | 3-1761609-6 |
| OBSOLETE | | 60.96 [2.400] | 24 | 62.99 [2.696] | 68.48 [2.696] | 71.12 [2.800] | 50 | 3-1761609-5 |
| | | 48.26 [1.900] | 19 | 50.29 [1.980] | 55.78 [2.196] | 58.42 [2.300] | 40 | 3-1761609-3 |
| | | 40.64 [1.600] | 16 | 42.67 [1.680] | 48.16 [1.896] | 50.80 [2.000] | 34 | 3-1761609-1 |
| | | 35.56 [1.400] | 14 | 37.59 [1.480] | 43.08 [1.696] | 45.72 [1.800] | 30 | 3-1761609-0 |
| | BLUE | 30.48 [1.200] | 12 | 32.51 [1.280] | 38.00 [1.496] | 40.64 [1.600] | 26 | 2-1761609-9 |
| | | 27.94 [1.100] | 11 | 29.97 [1.180] | 35.46 [1.396] | 38.10 [1.500] | 24 | 2-1761609-8 |
| | | 22.86 [.900] | 9 | 24.89 [.980] | 30.38 [1.196] | 33.02 [1.300] | 20 | 2-1761609-7 |
| | | 17.78 [.700] | 7 | 19.81 [.780] | 25.30 [.996] | 27.94 [1.100] | 16 | 2-1761609-6 |
| | | 15.24 [.600] | 6 | 17.27 [.680] | 22.76 [.896] | 25.40 [1.000] | 14 | 2-1761609-5 |
| | | 12.70 [.500] | 5 | 14.73 [.580] | 20.22 [.796] | 22.86 [.900] | 12 | 2-1761609-4 |
| | | 10.16 [.400] | 4 | 12.19 [.480] | 17.68 [.696] | 20.32 [.800] | 10 | 2-1761609-3 |
| OBSOLETE | | 5.08 [.200] | 2 | 7.11 [.280] | 12.60 [.496] | 15.24 [.600] | 6 | 2-1761609-1 |
| | | 73.66 [2.900] | 29 | 75.69 [2.980] | 81.18 [3.196] | 83.82 [3.300] | 60 | 1-1761609-6 |
| | | 60.96 [2.400] | 24 | 62.99 [2.696] | 68.48 [2.696] | 71.12 [2.800] | 50 | 1-1761609-5 |
| | | 48.26 [1.900] | 19 | 50.29 [1.980] | 55.78 [2.196] | 58.42 [2.300] | 40 | 1-1761609-3 |
| | | 40.64 [1.600] | 16 | 42.67 [1.680] | 48.16 [1.896] | 50.80 [2.000] | 34 | 1-1761609-1 |
| | BLACK | 30.48 [1.200] | 12 | 32.51 [1.280] | 38.00 [1.496] | 40.64 [1.600] | 26 | 1761609-9 |
| | | 22.86 [.900] | 9 | 24.89 [.980] | 30.38 [1.196] | 33.02 [1.300] | 20 | 1761609-7 |
| | | 17.78 [.700] | 7 | 19.81 [.780] | 25.30 [.996] | 27.94 [1.100] | 16 | 1761609-6 |
| | | 15.24 [.600] | 6 | 17.27 [.680] | 22.76 [.896] | 25.40 [1.000] | 14 | 1761609-5 |
| | | 10.16 [.400] | 4 | 12.19 [.480] | 17.68 [.696] | 20.32 [.800] | 10 | 1761609-3 |
| | HOUSING COLOR | E | D | C | B | A | NO OF POS | PART NUMBER |

THIS DRAWING IS A CONTROLLED DOCUMENT.

DIN B. CRISAMORE/DJI 30JUN05
S. BOLASH 30JUN05
M. WALMSLEY 30JUN05

TE Connectivity
NAME: HEADER ASSEMBLY, SHORT EJECT LATCH, RIGHT ANGLE, LOW PROFILE, IDC
PRODUCT SPEC: -
APPLICATION SPEC: -
SIZE: A1 CAGE CODE: 00779 DRAWING NO: 1761609 RESTRICTED TO: -
WEIGHT: -
CUSTOMER DRAWING SCALE: 4:1 SHEET: 1 OF 1 REV: F1

Mouser Electronics

Authorized Distributor

Click to View Pricing, Inventory, Delivery & Lifecycle Information:

[TE Connectivity:](#)

[1761609-9](#)