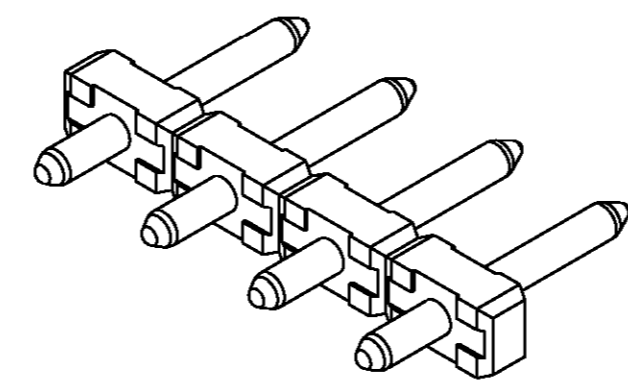
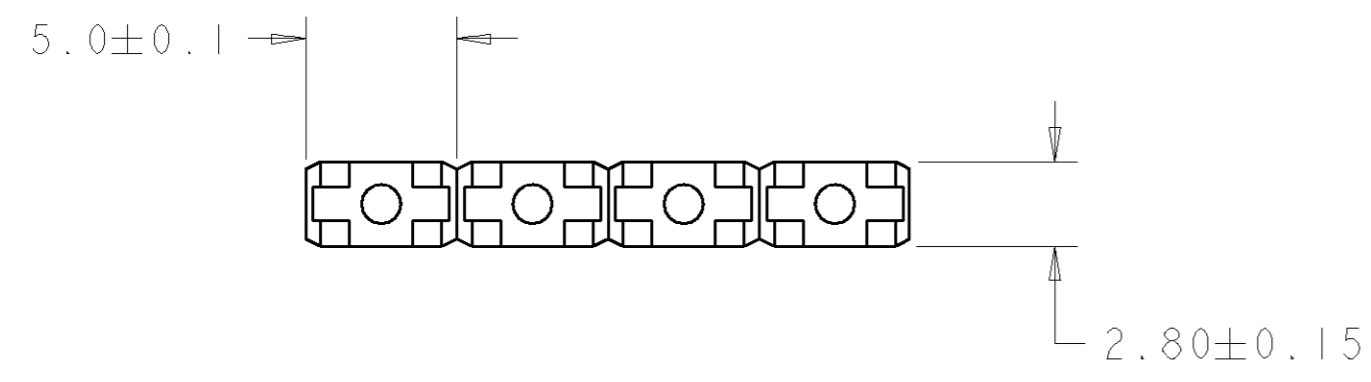
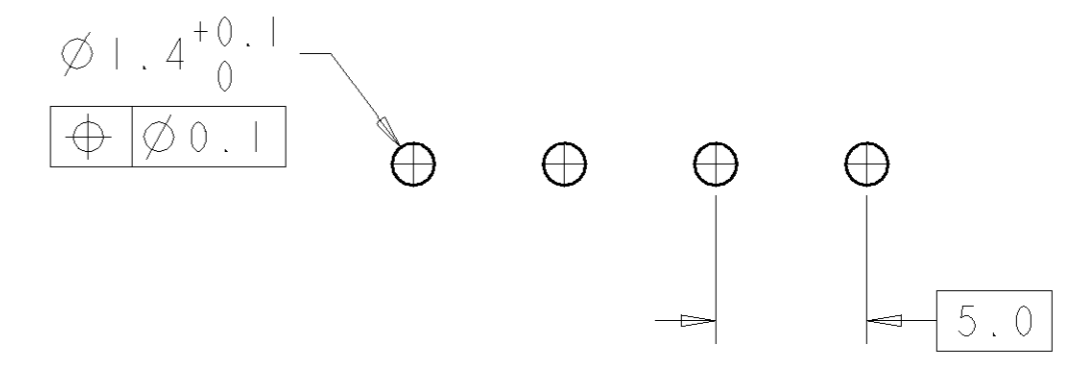


THIS DRAWING IS UNPUBLISHED. RELEASED FOR PUBLICATION 20  
 © COPYRIGHT 20 BY TYCO ELECTRONICS CORPORATION. ALL RIGHTS RESERVED.

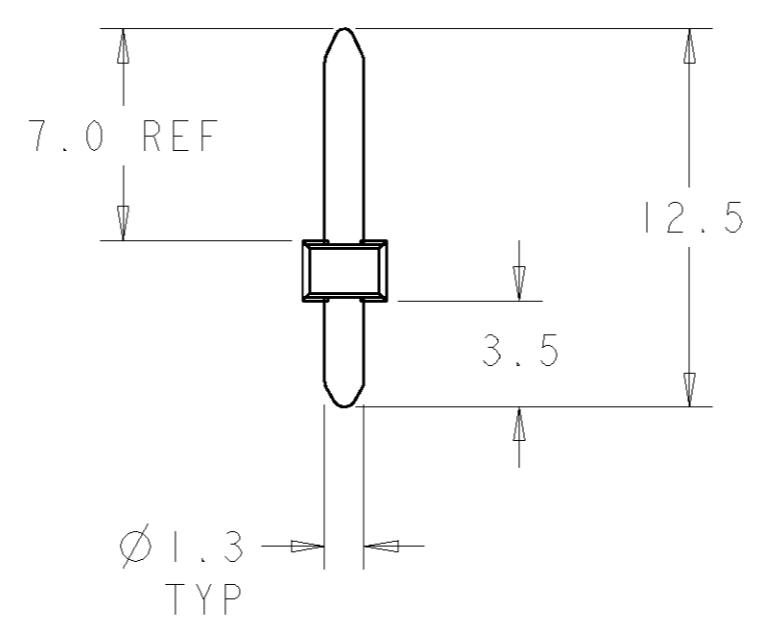
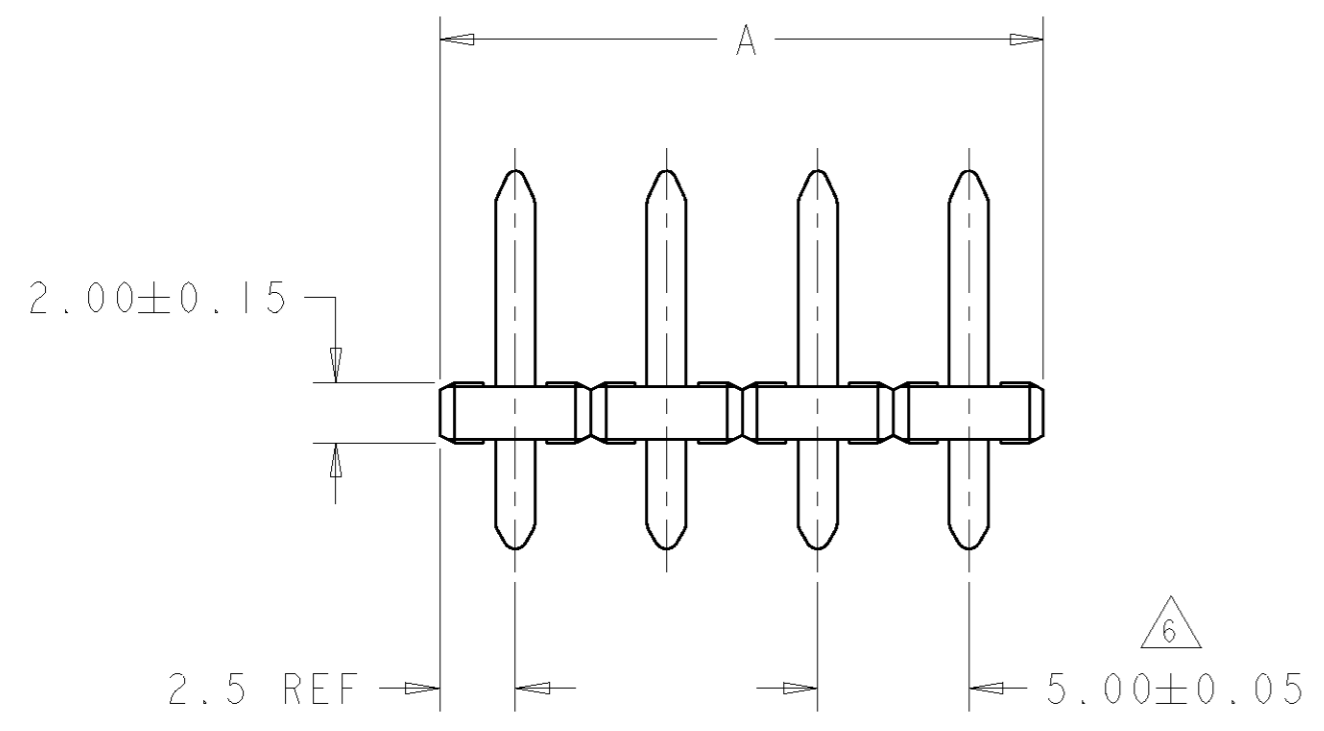
| LOC | DIST | REVISIONS   |          |           |       |
|-----|------|-------------|----------|-----------|-------|
| P   | LTR  | DESCRIPTION | DATE     | DWN       | APVD  |
| FT  | 0    | 0           | RELEASED | 08JAN2003 | SW CR |



1546019-4 AS SHOWN



RECOMMENDED PC BOARD LAYOUT



| 125 | 25         | 2-1546019-5 |
|-----|------------|-------------|
| 120 | 24         | 2-1546019-4 |
| 115 | 23         | 2-1546019-3 |
| 110 | 22         | 2-1546019-2 |
| 105 | 21         | 2-1546019-1 |
| 100 | 20         | 2-1546019-0 |
| 95  | 19         | 1-1546019-9 |
| 90  | 18         | 1-1546019-8 |
| 85  | 17         | 1-1546019-7 |
| 80  | 16         | 1-1546019-6 |
| 75  | 15         | 1-1546019-5 |
| 70  | 14         | 1-1546019-4 |
| 65  | 13         | 1-1546019-3 |
| 60  | 12         | 1-1546019-2 |
| 55  | 11         | 1-1546019-1 |
| 50  | 10         | 1-1546019-0 |
| 45  | 9          | 1546019-9   |
| 40  | 8          | 1546019-8   |
| 35  | 7          | 1546019-7   |
| 30  | 6          | 1546019-6   |
| 25  | 5          | 1546019-5   |
| 20  | 4          | 1546019-4   |
| 15  | 3          | 1546019-3   |
| 10  | 2          | 1546019-2   |
| A   | NO OF POSN | PART NUMBER |

- △ MATERIALS AND FINISH:  
 HOUSING: PA 6-6, UL 94-V0, COLOR: BLACK.  
 TERMINAL: BRASS, TIN PLATED.
- SUITABLE FOR 1,6-2,4mm PC BOARD THICKNESS.
  - END-TO-END STACKABLE WITHOUT LOSS OF CENTERLINE SPACING.
  - RECOGNIZED UNDER THE COMPONENT PROGRAM OF UNDERWRITERS LABORATORIES INC. FILE N° E60677.
  - IMQ CERTIFICATE WITH SURVEILLANCE IN CONFORMITY WITH IEC 998-1/998-2-1.
- △ NOT CUMULATIVE TOLERANCE.

|  |  |                                 |  |                    |
|--|--|---------------------------------|--|--------------------|
| THIS DRAWING IS A CONTROLLED DOCUMENT FOR TYCO ELECTRONICS CORPORATION IT IS SUBJECT TO CHANGE AND THE CONTROLLING ENGINEERING ORGANIZATION SHOULD BE CONTACTED FOR THE LATEST REVISION. |  | DWN<br>S. WELDON<br>08JAN2003   | Tyco Electronics<br>Harrisburg, PA 17105-3608                                      |                    |
| DIMENSIONS:<br>mm  |  | CHK<br>C. RICHARD<br>08JAN2003  | NAME<br><b>BUCHANAN</b><br>TERMINAL BLOCK PIN HEADER<br>UNSHROUDED<br>5.0 mm PITCH |                    |
| TOLERANCES UNLESS OTHERWISE SPECIFIED:<br>0 PLC ±.3<br>1 PLC ±.25<br>2 PLC ±.25<br>3 PLC ±.25<br>4 PLC ±.25<br>ANGLES ±°<br>FINISH   |  | APVD<br>C. RICHARD<br>08JAN2003 |  |                    |
| MATERIAL   |  | PRODUCT SPEC<br>108-20166       | SIZE<br>A2   | CAGE CODE<br>00779 |
| △ -  |  | APPLICATION SPEC<br>114-20079   | DRAWING NO<br>1546019  | RESTRICTED TO<br>- |
| △ -  |  | WEIGHT<br>-                     | SCALE 4:1 SHEET 1 OF 1 REV 0   |                    |
| CUSTOMER DRAWING   |  |                                 |  |                    |

# Mouser Electronics

Authorized Distributor

Click to View Pricing, Inventory, Delivery & Lifecycle Information:

[TE Connectivity:](#)

[1546019-4](#)