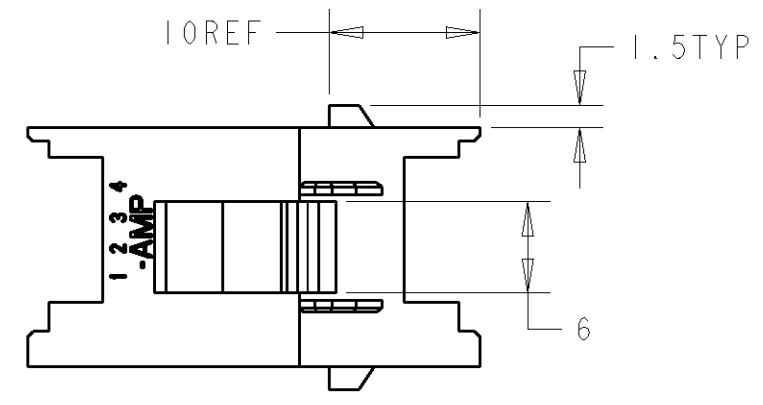
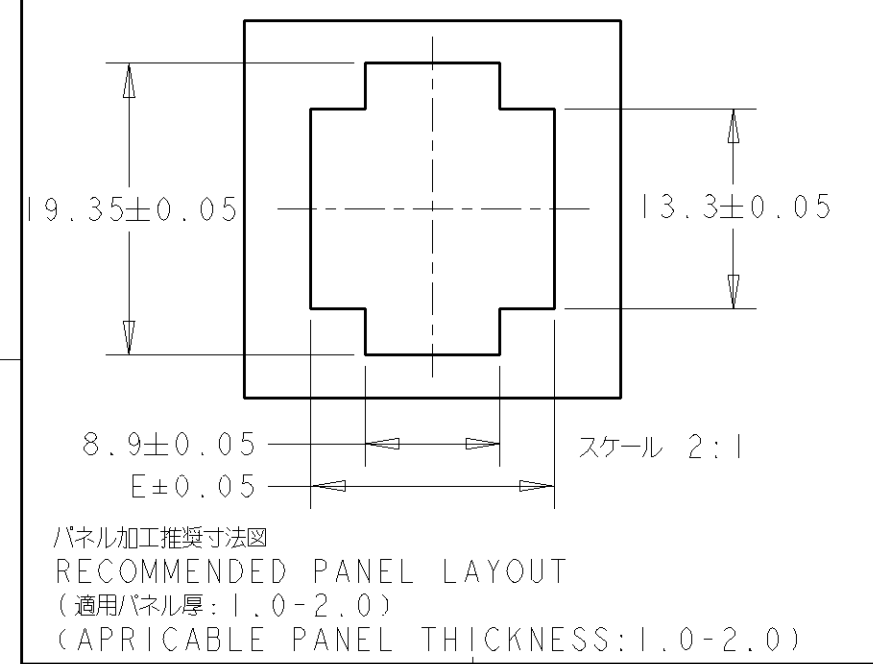
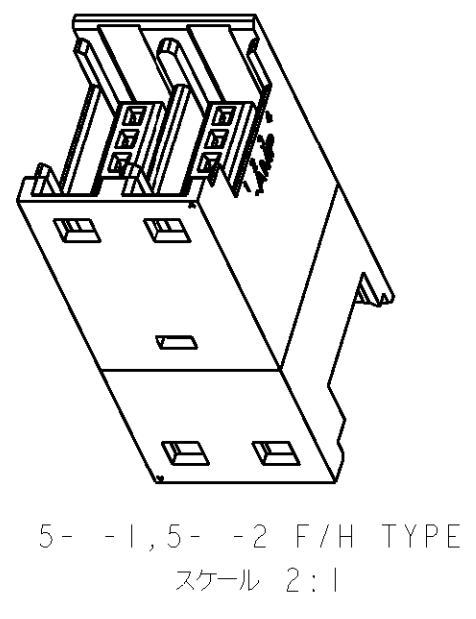
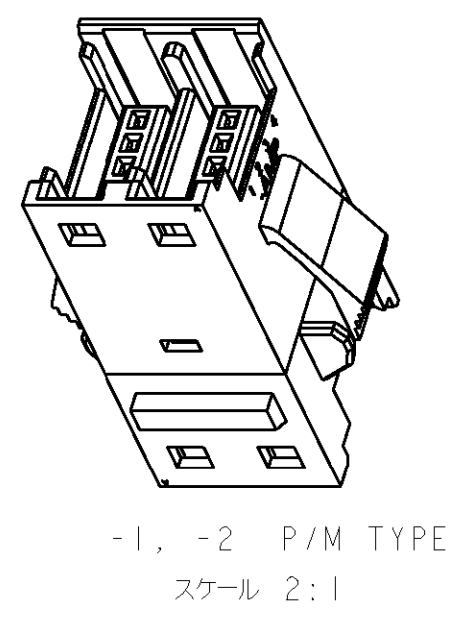
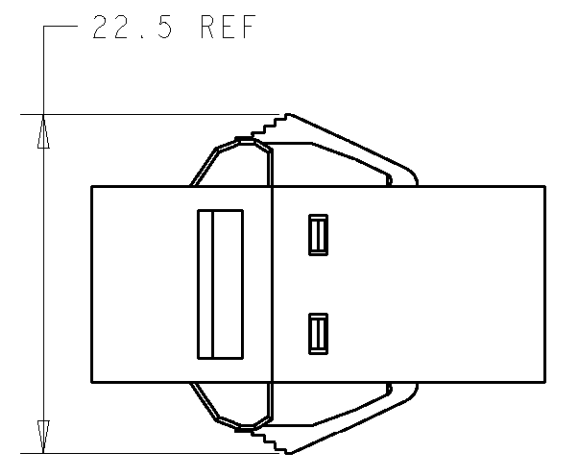
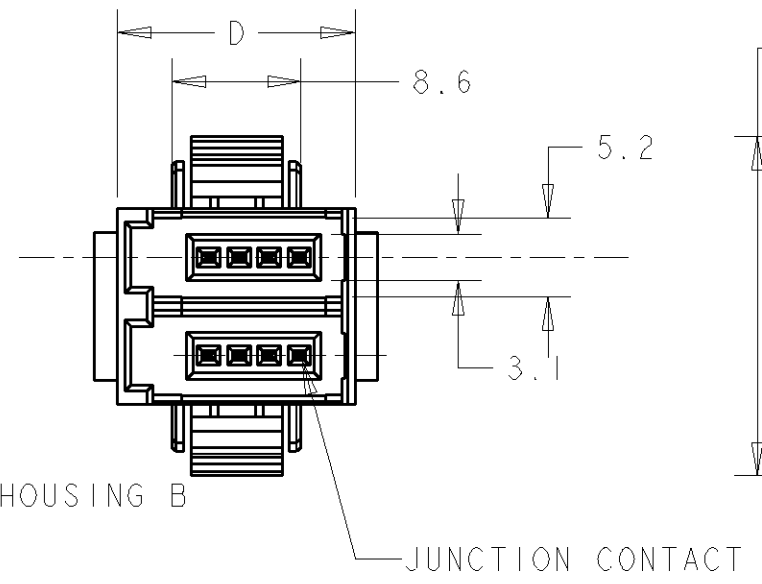
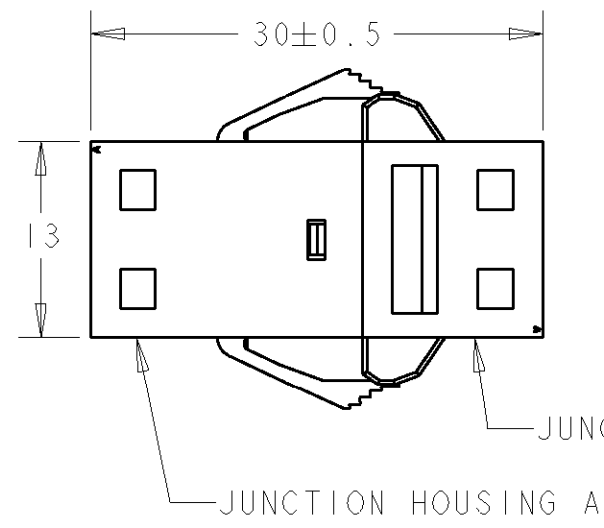
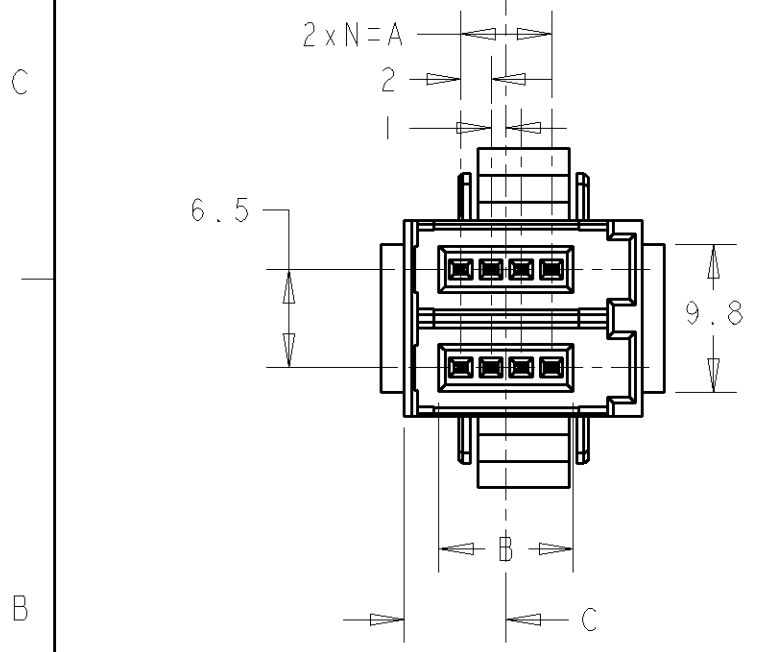


THIS DRAWING IS UNPUBLISHED. RELEASED FOR PUBLICATION
 © COPYRIGHT ALL RIGHTS RESERVED.

LOC	DIST	REVISIONS					
		P	LTR	DESCRIPTION	DATE	DWN	APVD
J	-	P		REVISED PER ECO-11-005294	11APR11	RK	HMR



注記
 1: 材料: ハウジング: ガラス入り熱可塑性ポリエステル樹脂, 94V-0, 黒
 コンタクト: 銅合金
 2: メッキ: コンタクト: 全面Ni下地
 接点部: 0.2μm MIN 金メッキ
 3: 金属パネルの場合, コネクタ取付方向を/ベンチ加工方向にしてください。
 4: プラスチックパネルの場合, 穴端部にR無き様ご配慮ください。
 NOTE
 1: MATERIAL. HOUSING: GLASS FILED THERMPLASTIC, 94V-0, BLACK
 CONTACT. COPPER ALLOY
 2: FINISH. UNDERPLATE: Ni 1.27μm min.
 CONTACT AREA: Au 0.2μm min.
 3: INSERT CONN. FROM PRESS DIRECTION SIDE FOR METAL PANEL.
 4: EDGE OF THICKNESS WAY MUST NOT ROUND FOR MOLDED PANEL.



F/H	16.1	15.8	6.75	8.9	6	3	4	5-1473574-4
F/H	14.1	13.8	5.75	6.9	4	2	3	5-1473574-3
P/M	16.1	15.8	6.75	8.9	6	3	4	1473574-4
P/M	14.1	13.8	5.75	6.9	4	2	3	1473574-3
TYPE	E	D	C	B	A	N	POS	PART NUMBER

DIMENSIONS: mm	TOLERANCES UNLESS OTHERWISE SPECIFIED: 0 PLC ± ±0.2 1 PLC ± ±3° 2 PLC ± ±3° 3 PLC ± ± 4 PLC ± ± ANGLES ± ±	DWN 10SEP2001 D. MITSUGI	
		CHK 10SEP2001 S. MANABE	
MATERIAL -	FINISH -	APVD 10SEP2001 S. MANABE	NAME JUNCTION BOX (4D) FOR E-CON - RITS CONN. -
		PRODUCT SPEC 108-5765	SIZE A3 CAGE CODE 00779 DRAWING NO C-1473574 RESTRICTED TO -
CUSTOMER DRAWING		WEIGHT -	SCALE 2:1 SHEET 1 OF 1 REV P

Mouser Electronics

Authorized Distributor

Click to View Pricing, Inventory, Delivery & Lifecycle Information:

[TE Connectivity:](#)

[1473574-4](#)