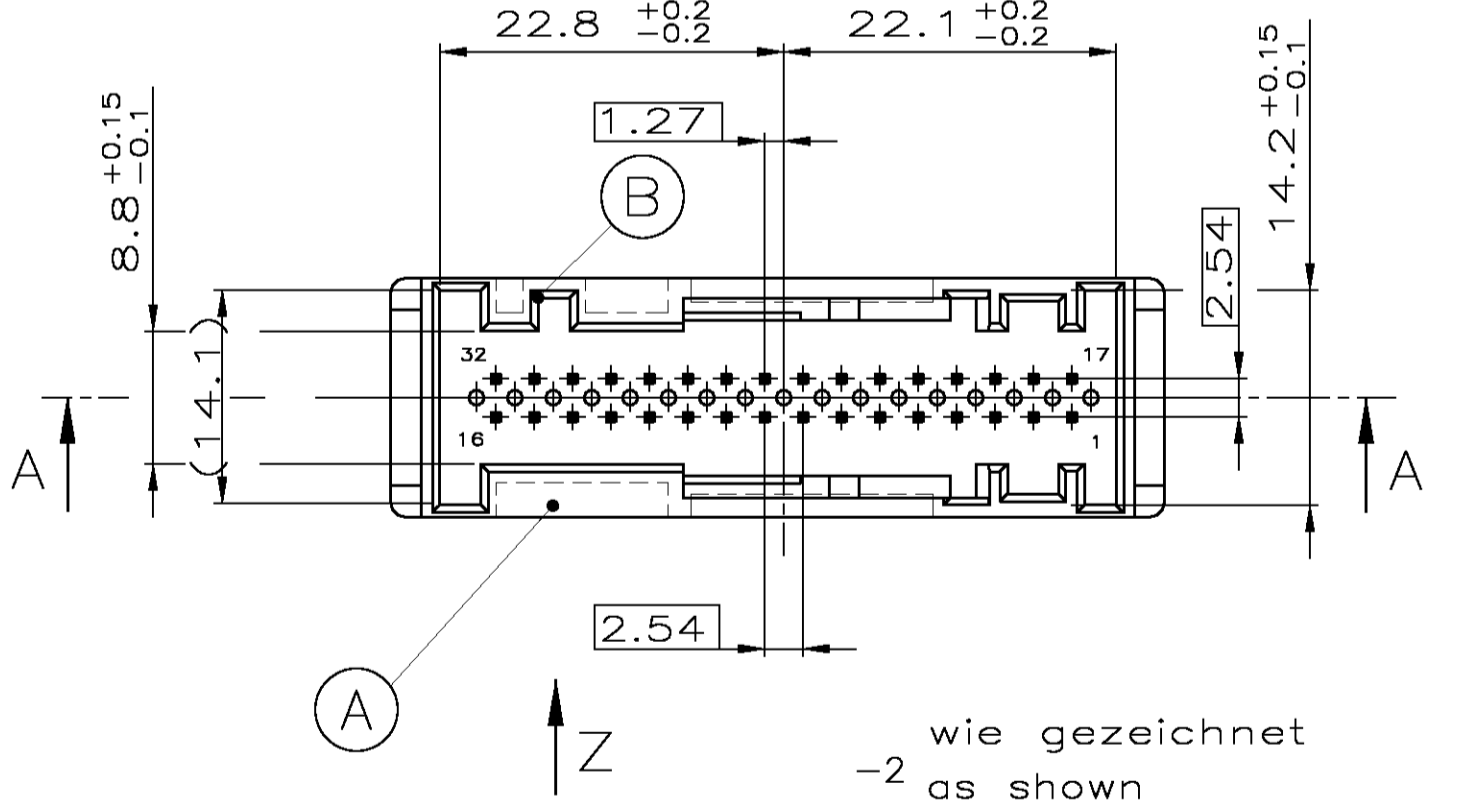
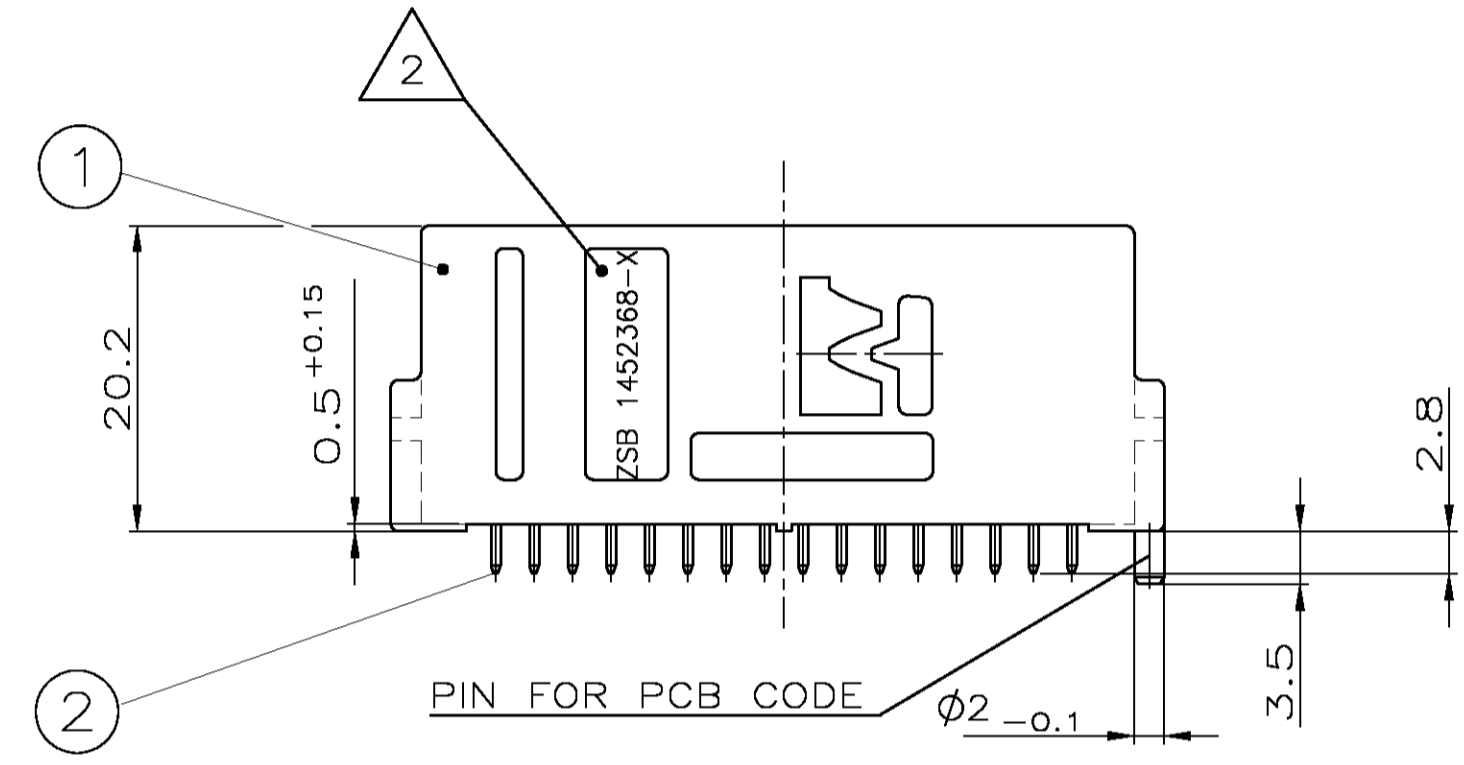
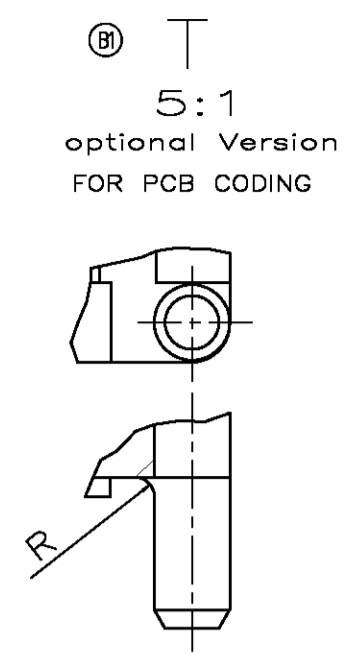
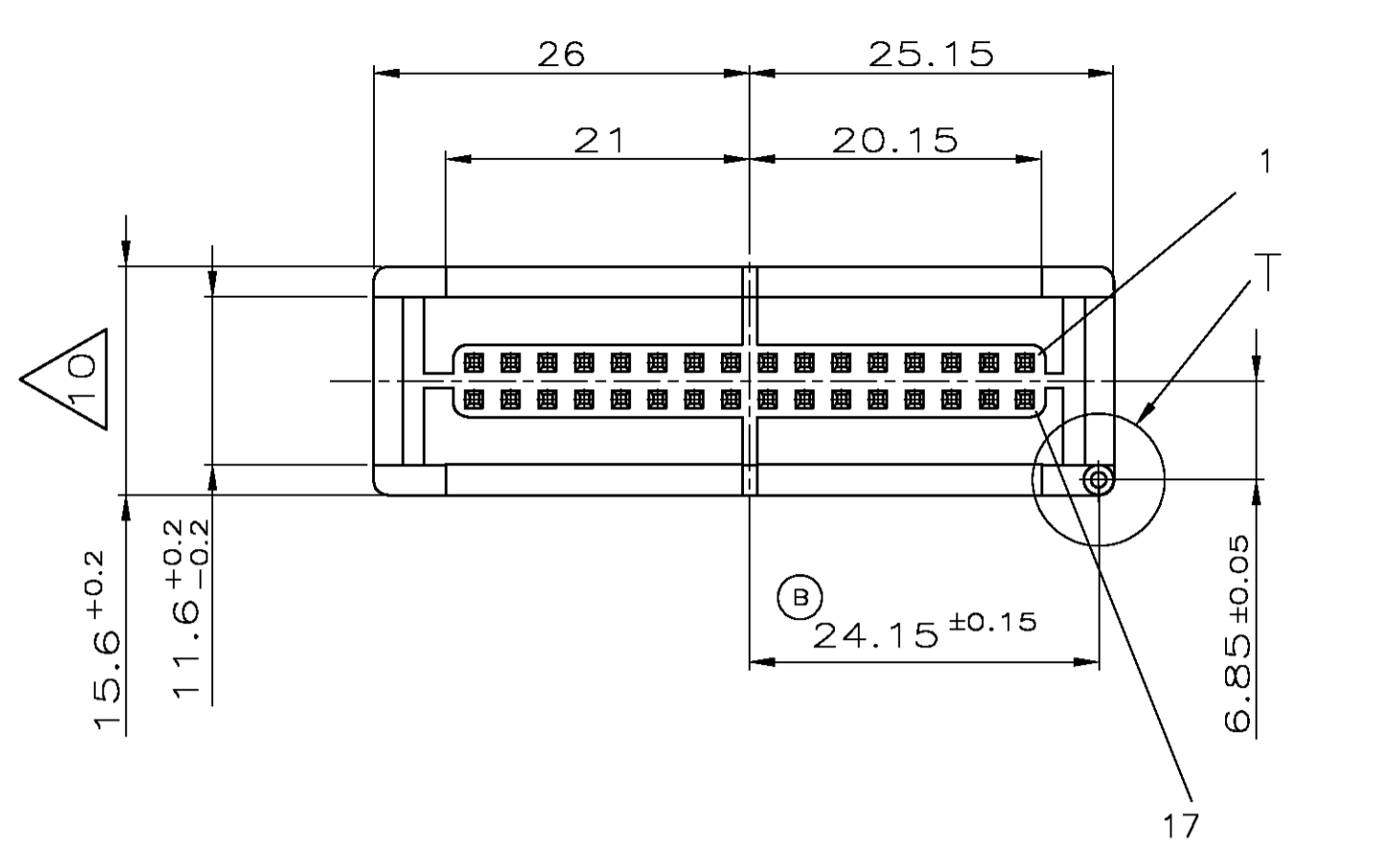
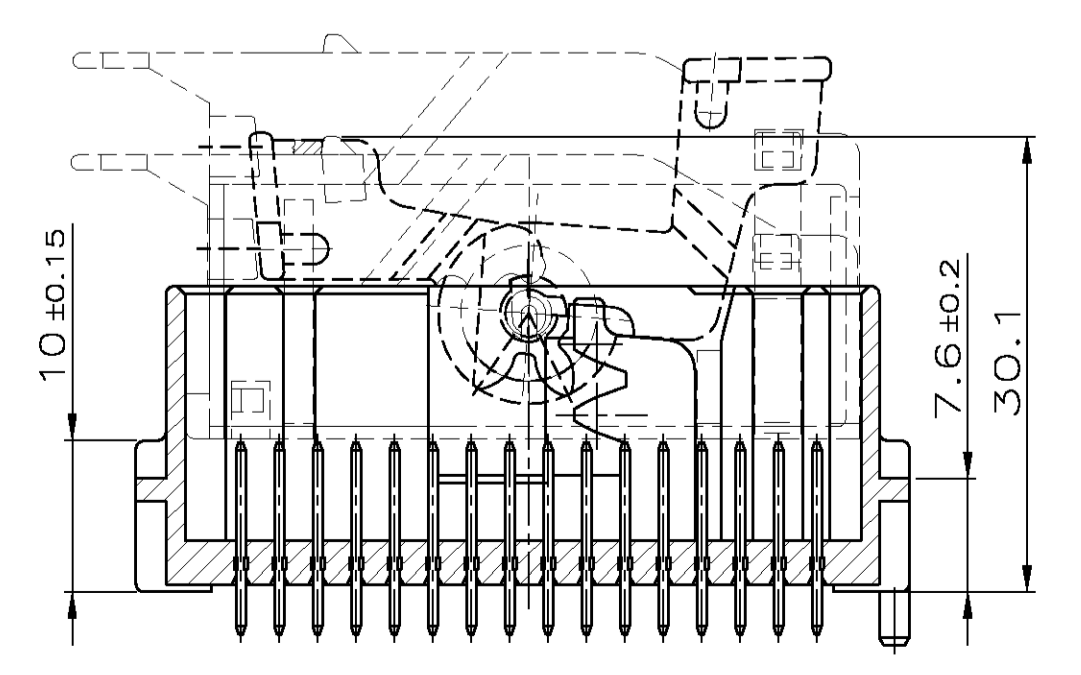


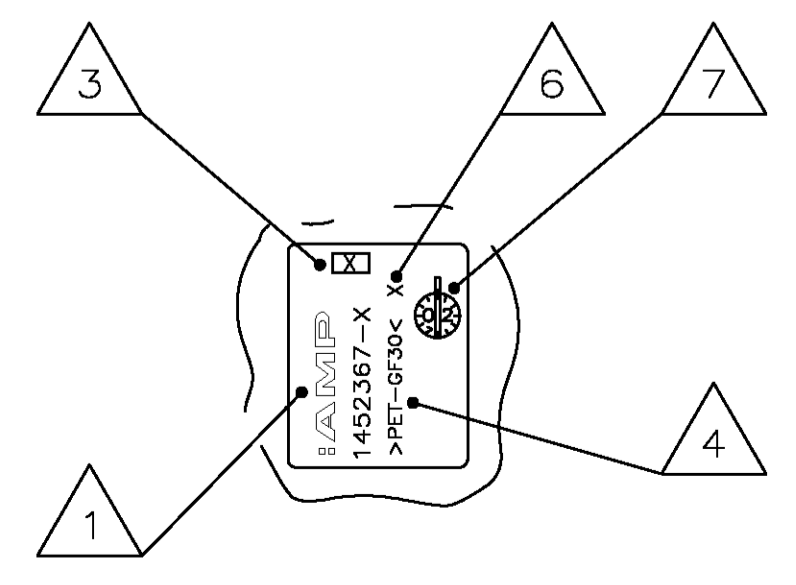
LOC	REV	DATE	BY	CHK	APPV
A1	-				
B	SEE E-09-015710	04NOV09	HSCH		RH
B1	SEE E-10-003549	17FEB10	HSCH		RH
C	SEE E-10-012047	07JUN10	HSCH		RH



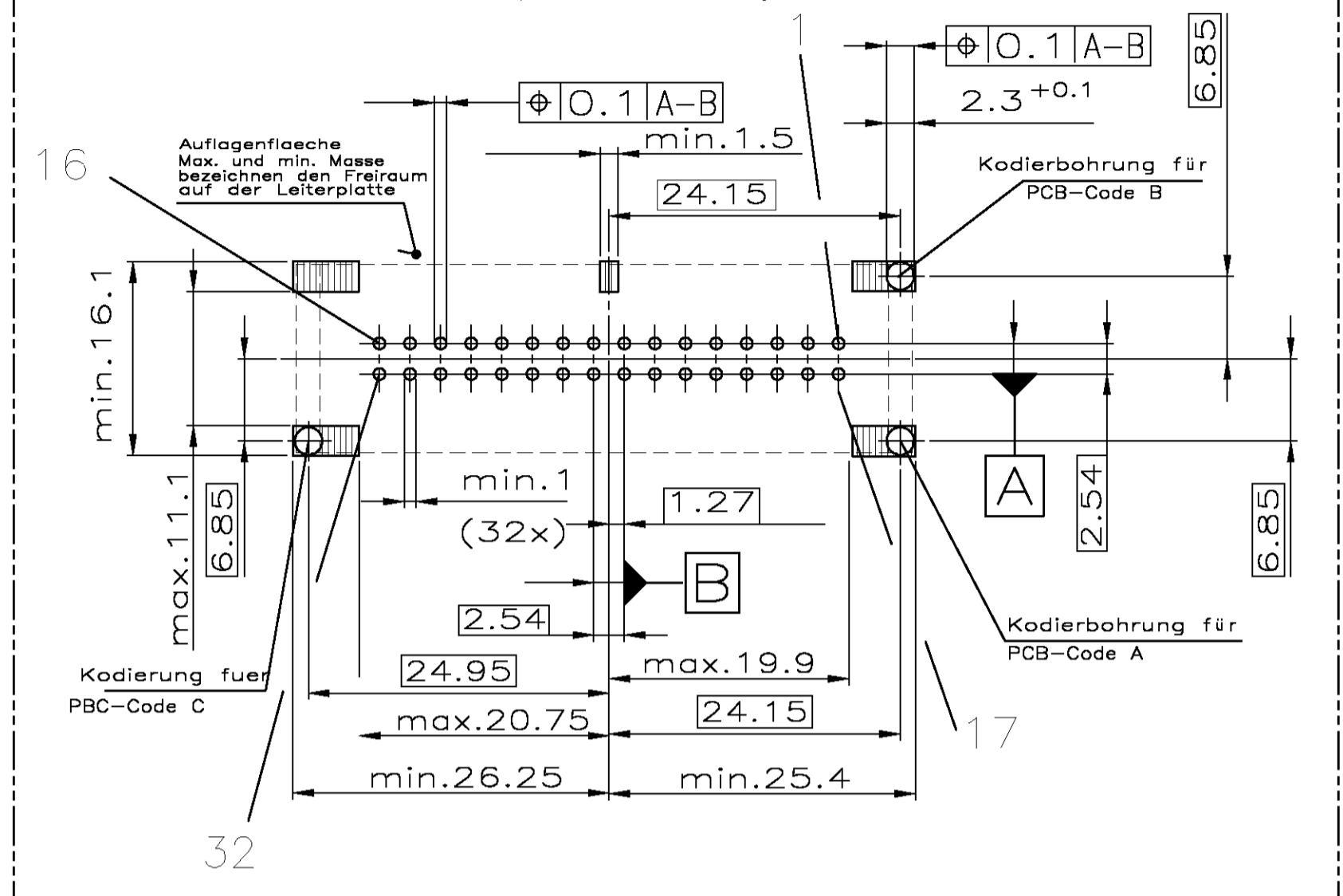
A-A



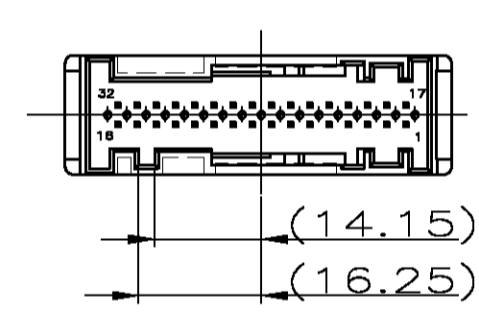
Z



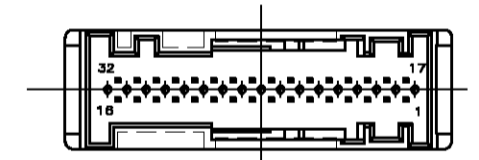
Leiterplattenlayout



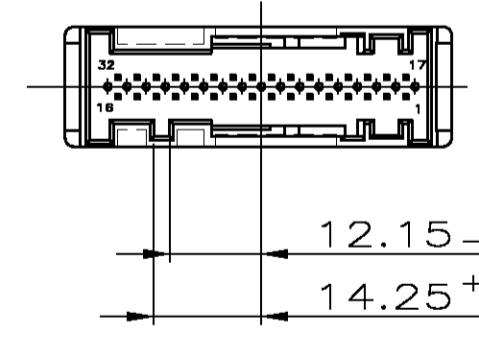
Kodierung A CODING A



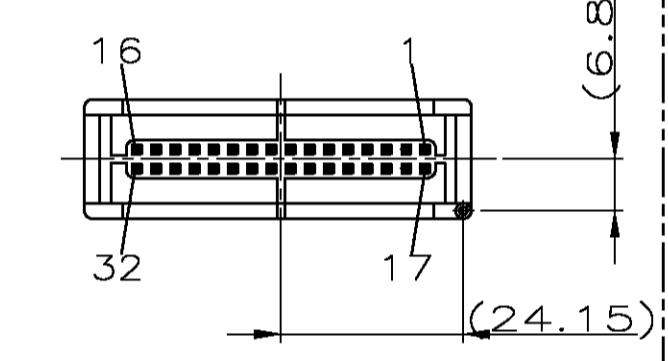
Kodierung B CODING B



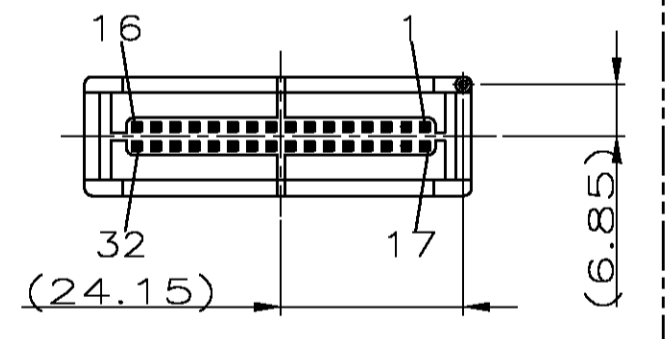
Kodierung C CODING C



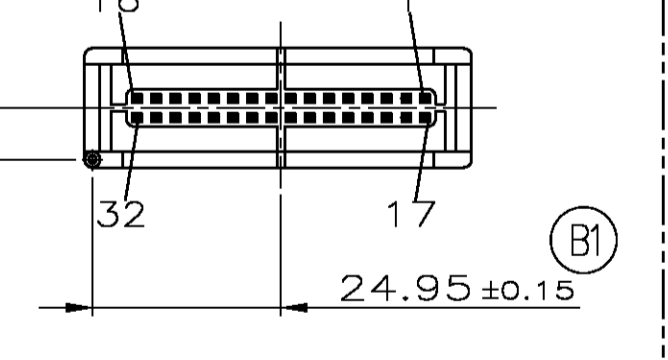
PCB Code A



PCB Code B



PCB Code C



Bemerkungen NOTES

- 1 AMP-Logo or TE-Logo
AMP-LOGO OR TE-LOGO
- 2 Bestell-Nummer
ORDER-NUMBER
- 3 Werkzeugaenderungsindex
REVISIONS-NUMBER
- 4 Werkstoffkennzeichnung
MATERIAL MARKING
- 5 Tubeverpackung im Karton
Kundenspezifische Ausfuehrung
PACKAGING IN TUBES IN CARDBOARDBOX
CUSTOMER RESTRICTED VERSION
- 6 Nestmarkierung
CAVITY MARKING
- 7 Produktions-Datum
PRODUCTION-DATE
- 8 Lagenverpackung im Karton
PACKAGING IN LAYERS IN CARDBOARDBOX
- 9 Toleranzen wenn nicht ±0.5mm
anders spezifiziert
TOLERANCES UNLESS ±0.5MM
OTHERWISE SPECIFIED
- 10 Bis max. 16.2 Verzug zulaessig
DIM. MAX.16.2 PERMITTED IN FACT OF WARPAGE
- 11 Verpackung: Produkttraeger im Karton
PACKAGING: PLASTIC TRAY IN CARDBOARDBOX

Passend zu TE-Gegenstueck:
 MATED WITH TE-COUNTERPART:
 967597-1 COVER WITH LEVER, CODING A
 967597-1 Abdeckkappe mit Hebel, Kodierung A
 967597-2 COVER WITH LEVER, CODING B
 967597-2 Abdeckkappe mit Hebel, Kodierung B
 968265-1 MQS SOCKET HOUSING
 968265-1 MQS Buchsengehaeuse

LOW TEMPERATURE VERSION
 SEE PN 967598
 Niedrigtemperaturausfuehrung
 siehe PN 967598

TE PART NO	REV.	PCB Code	PCS.	MATERIAL	SURFACE COLOR	DESCRIPTION	ITEM NO	
1-1452368-4		B	B	32	CuSn6	PRE TIN PLATED	MODU II CONTACT PIN	2
1-1452368-1		C	A	1	PET-GF30	BLUE	PIN HEADER, 32 POS.	1
1452368-5		B	C	32	CuSn6	PRE TIN PLATED	MODU II CONTACT PIN	2
1452368-2		B	A	1	PET-GF30	BLACK	PIN HEADER, 32 POS.	1
1452368-1		B	A	32	CuSn6	PRE TIN PLATED	MODU II CONTACT PIN	2
1452368-1		B	A	1	PET-GF30	BLUE	PIN HEADER, 32 POS.	1
1452368-1		B	A	32	CuSn6	PRE TIN PLATED	MODU II CONTACT PIN	2
1452368-1		B	A	1	PET-GF30	GREY	PIN HEADER, 32 POS.	1

<p>THE DRAWING IS A COMMERCIAL DOCUMENT FOR THE PROPRIETOR. IT IS SUBJECT TO CHANGE AND THE CONTROLLING ENGINEERING DEPARTMENT SHOULD BE CONTACTED FOR THE LATEST VERSION.</p> <p>DESIGN IS CHANGING AND THE CONTROLLING ENGINEERING DEPARTMENT SHOULD BE CONTACTED FOR THE LATEST VERSION.</p> <p>ALL DIMENSIONS UNLESS OTHERWISE SPECIFIED ARE IN MILLIMETERS.</p>	<p>DATE: 16 JAN 02 DRAWN: H. Meinhardt CHECKED: J.T. Kilian APPROVED: J.T. Kilian</p>	<p>tyco Electronics tyco Electronics AMP GmbH D - 64625 Bensheim</p>	<p>PRODUCT SPEC: 108-18547-0 APPLICATION SPEC: 114-18174-0</p>	<p>MODU II PIN HEADER, 32POS. MODU II Stiftwanne, 32pos.</p>	<p>WEIGHT: 8.4gr. CUSTOMER DRAWING: /KUNDENZEICHNUNG</p>	<p>SCALE: 2:1 SHEET: 1 von 1</p>
--	--	--	---	---	---	---

Mouser Electronics

Authorized Distributor

Click to View Pricing, Inventory, Delivery & Lifecycle Information:

[TE Connectivity:](#)

[1452368-1](#)