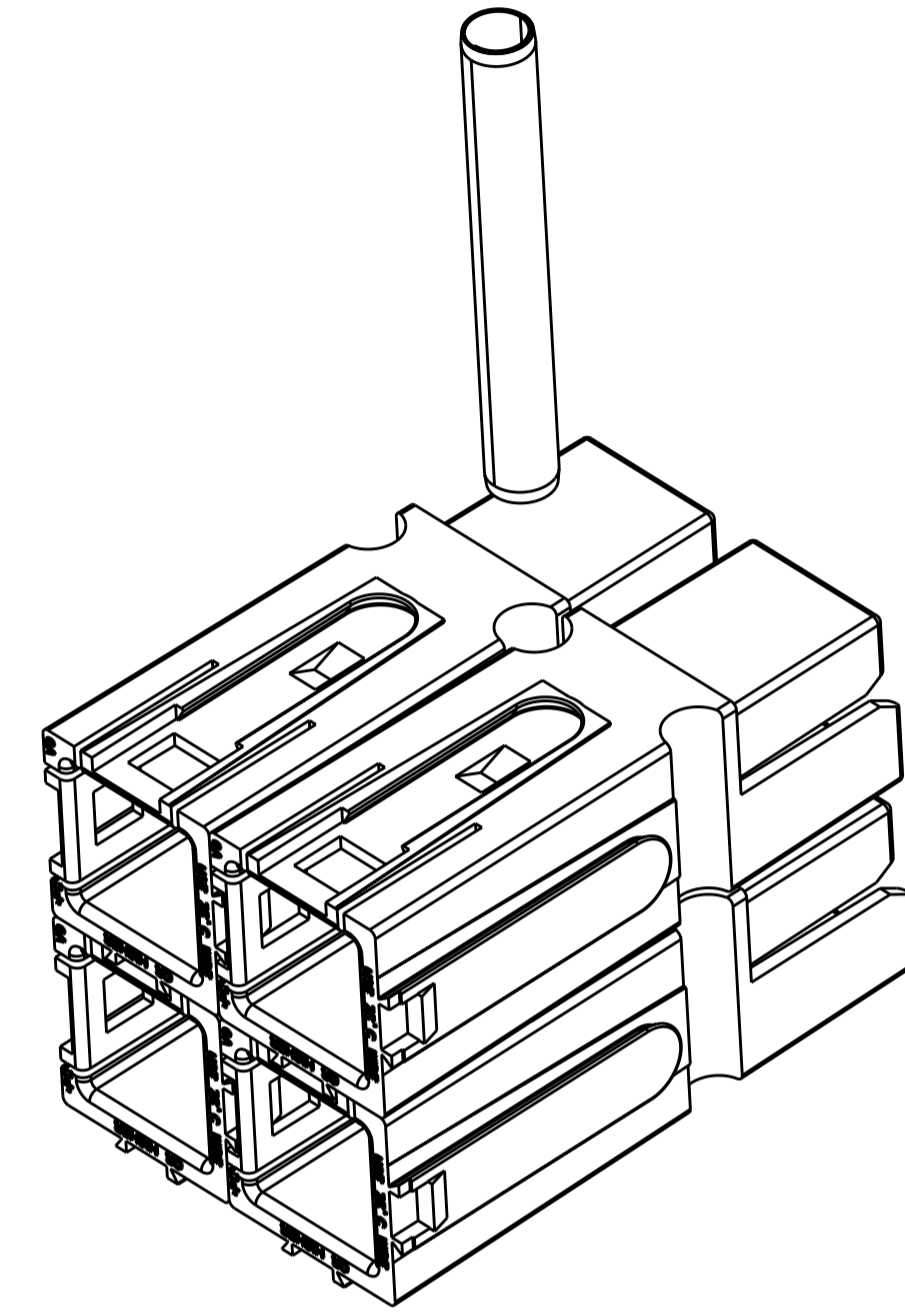
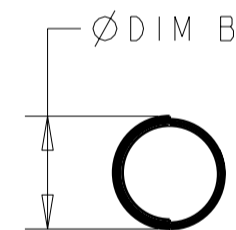
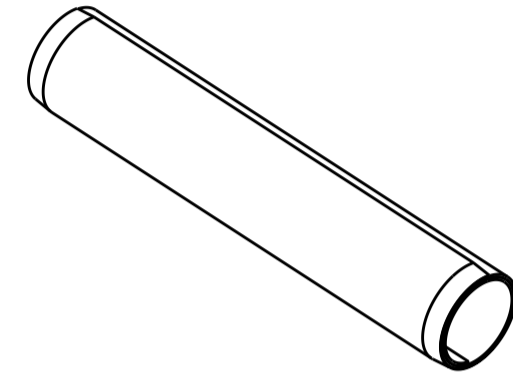


THIS DRAWING IS UNPUBLISHED. RELEASED FOR PUBLICATION 20  
 © COPYRIGHT 20 BY - ALL RIGHTS RESERVED.

LOC	DIST	REVISIONS			
P	LTR	DESCRIPTION	DATE	DWN	APVD
CM	00				
P		REVISED PER ECO-11-005140	23MAR2011	RK	HMR



TYPICAL USES

⚠ OBSOLETE PARTS: OBSOLETE CIS STREAMLINING PER D.RENAUD/D.SINISI

⚠ OBSOLETE

2.36-2.51	21.59	1445886-6
2.51-2.69	11.18	1445886-5
2.49-2.62	6.35	1445886-4
5-5.25	38.10	1445886-3
5-5.25	25.40	1445886-2
5-5.25	14.22	1445886-1
Ø DIM B	DIM A	PART NUMBER

**METRIC**

THIS DRAWING IS A CONTROLLED DOCUMENT.		DWN	BH	15OCT01	TE Connectivity NAME RETAINER PIN, POWER PRODUCT			
DIMENSIONS:		CHK	KAK	15OCT01				
mm		APVD	KAK	15OCT01				
TOLERANCES UNLESS OTHERWISE SPECIFIED: 0 PLC ±- 1 PLC ±- 2 PLC ±0.13 3 PLC ±- 4 PLC ±- ANGLES ±- FINISH		PRODUCT SPEC						
MATERIAL	302 STAINLESS STEEL	APPLICATION SPEC			SIZE	CAGE CODE	DRAWING NO	RESTRICTED TO
	PASSIVATED	WEIGHT			A2	00779	C-1445886	-
		CUSTOMER DRAWING			SCALE	3:1	SHEET	OF
								REV P

# Mouser Electronics

Authorized Distributor

Click to View Pricing, Inventory, Delivery & Lifecycle Information:

[TE Connectivity:](#)

[1445886-2](#)