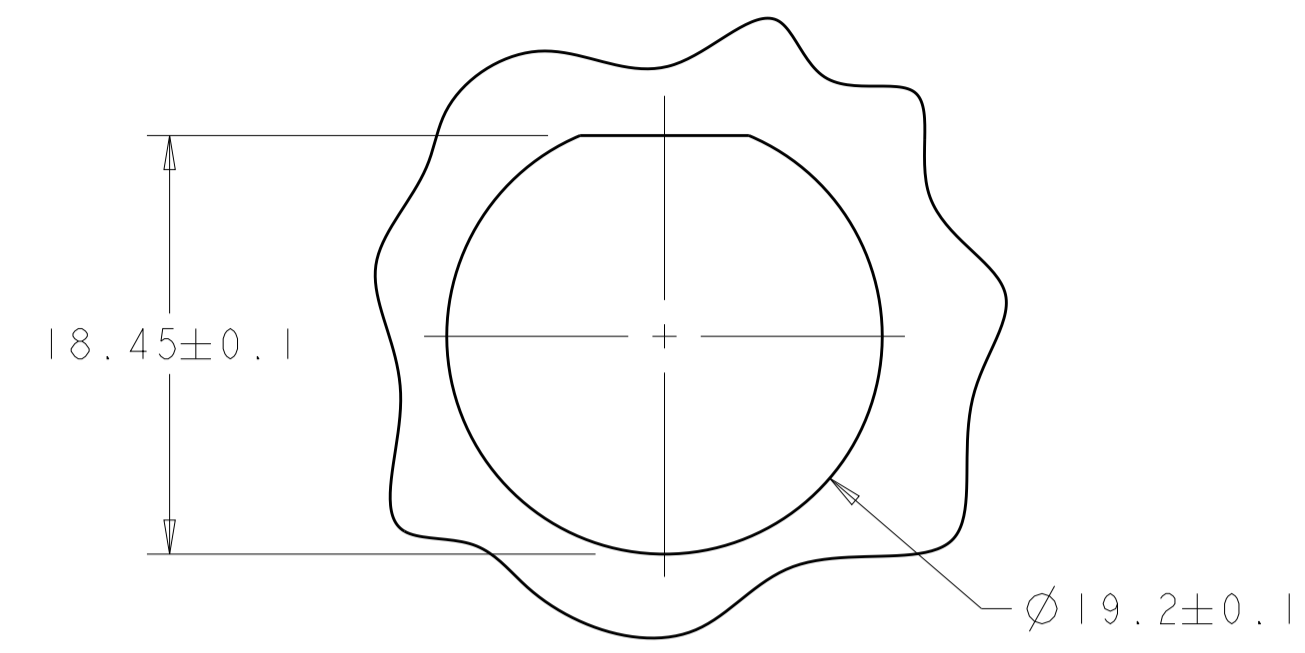
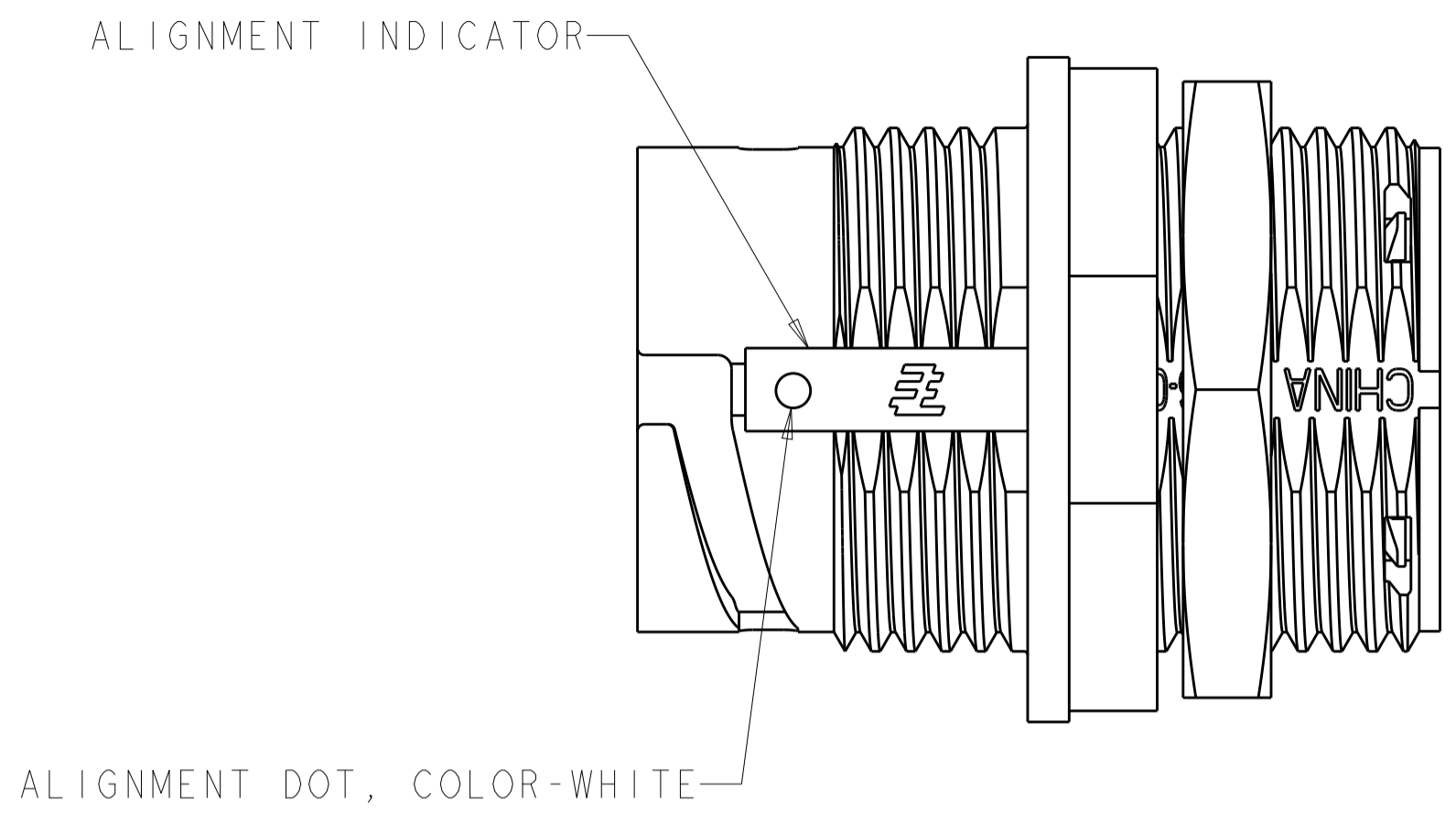


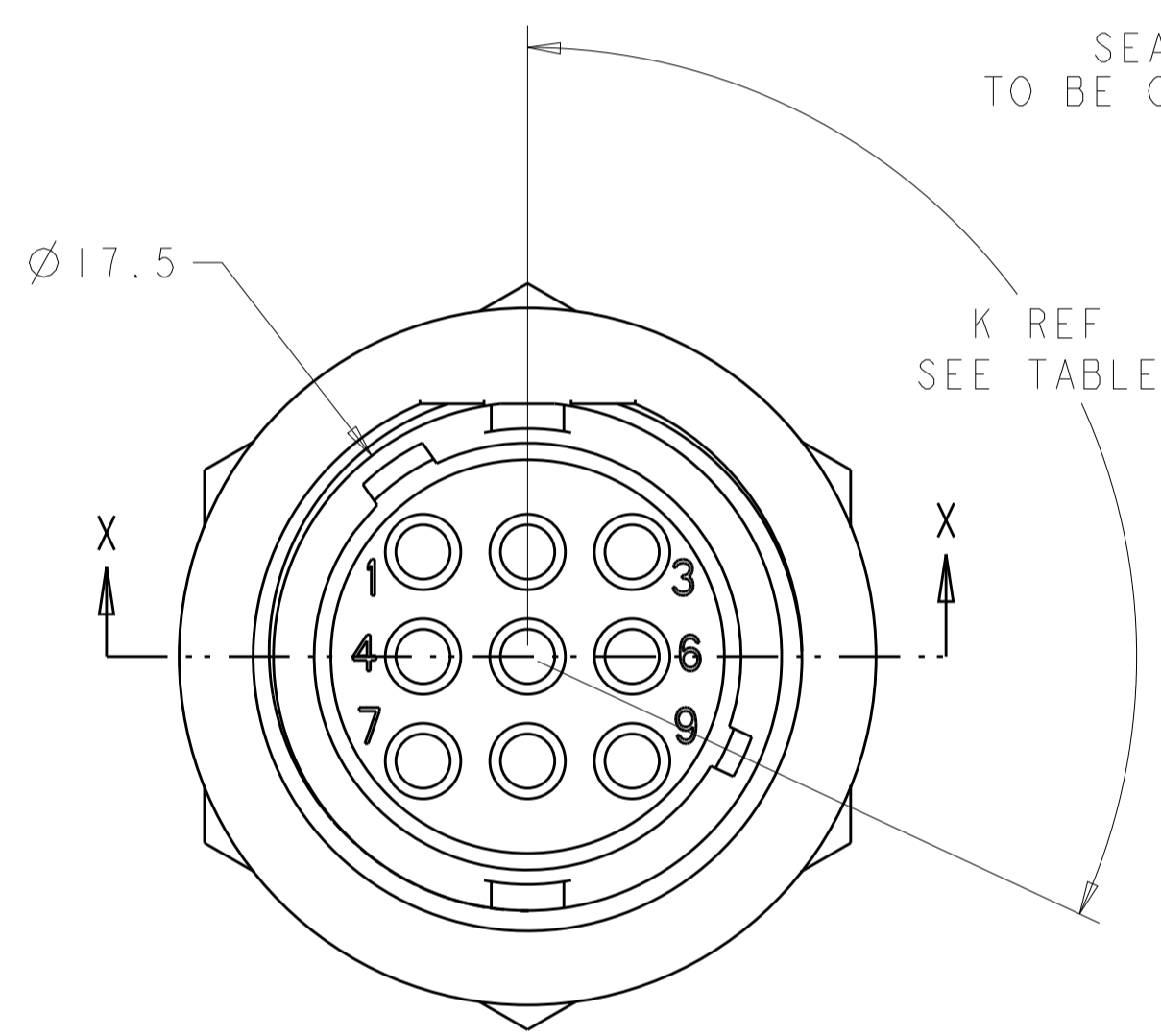
REVISIONS					
P.	LTN	DESCRIPTION	DATE	DWN	APVD
C3		REVISED PER ECO-15-010004	13JUL2015	NK	MZ
D		REVISED PER ECO-16-018352	25MAR2017	RS	MZ



SUGGESTED PANEL CUTOUT
 SCALE 3:1

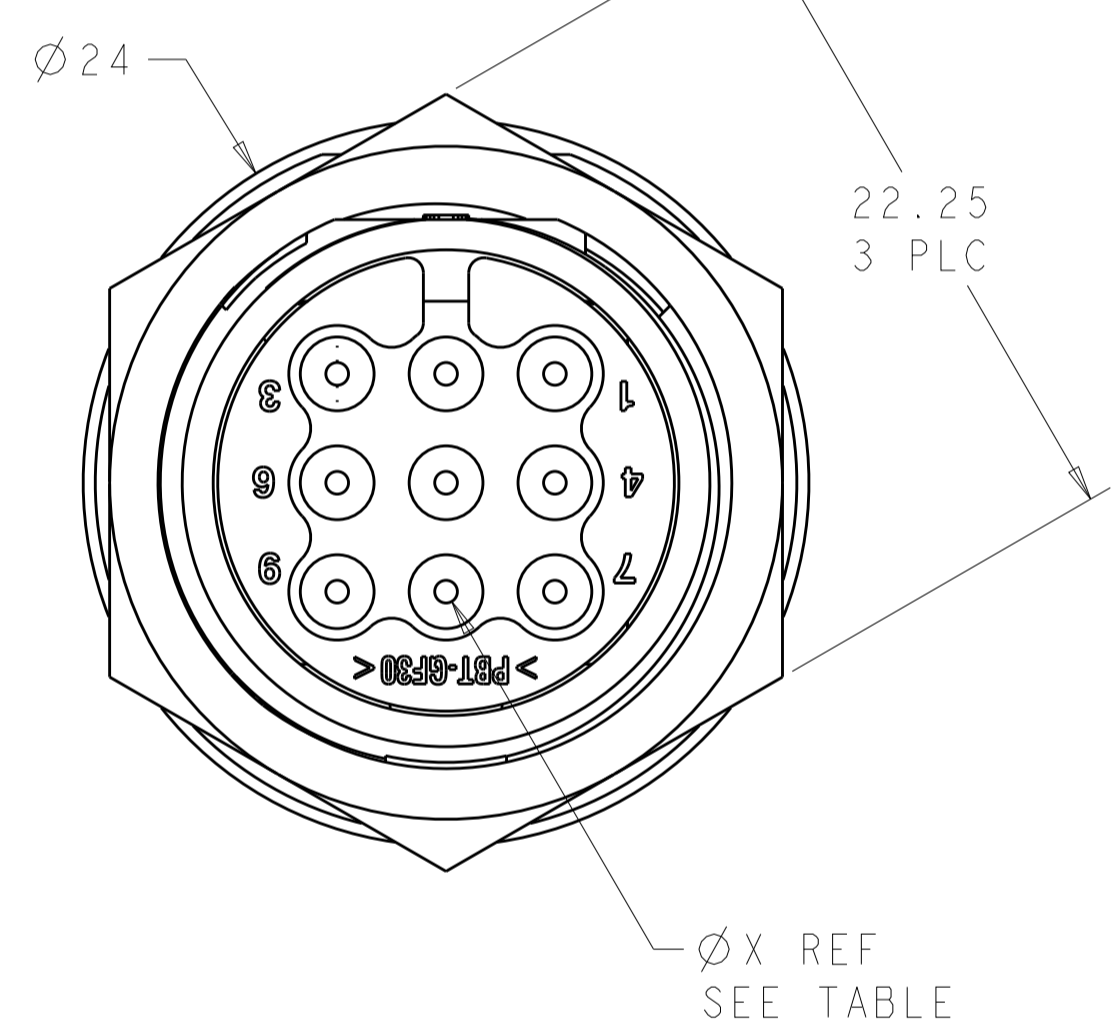
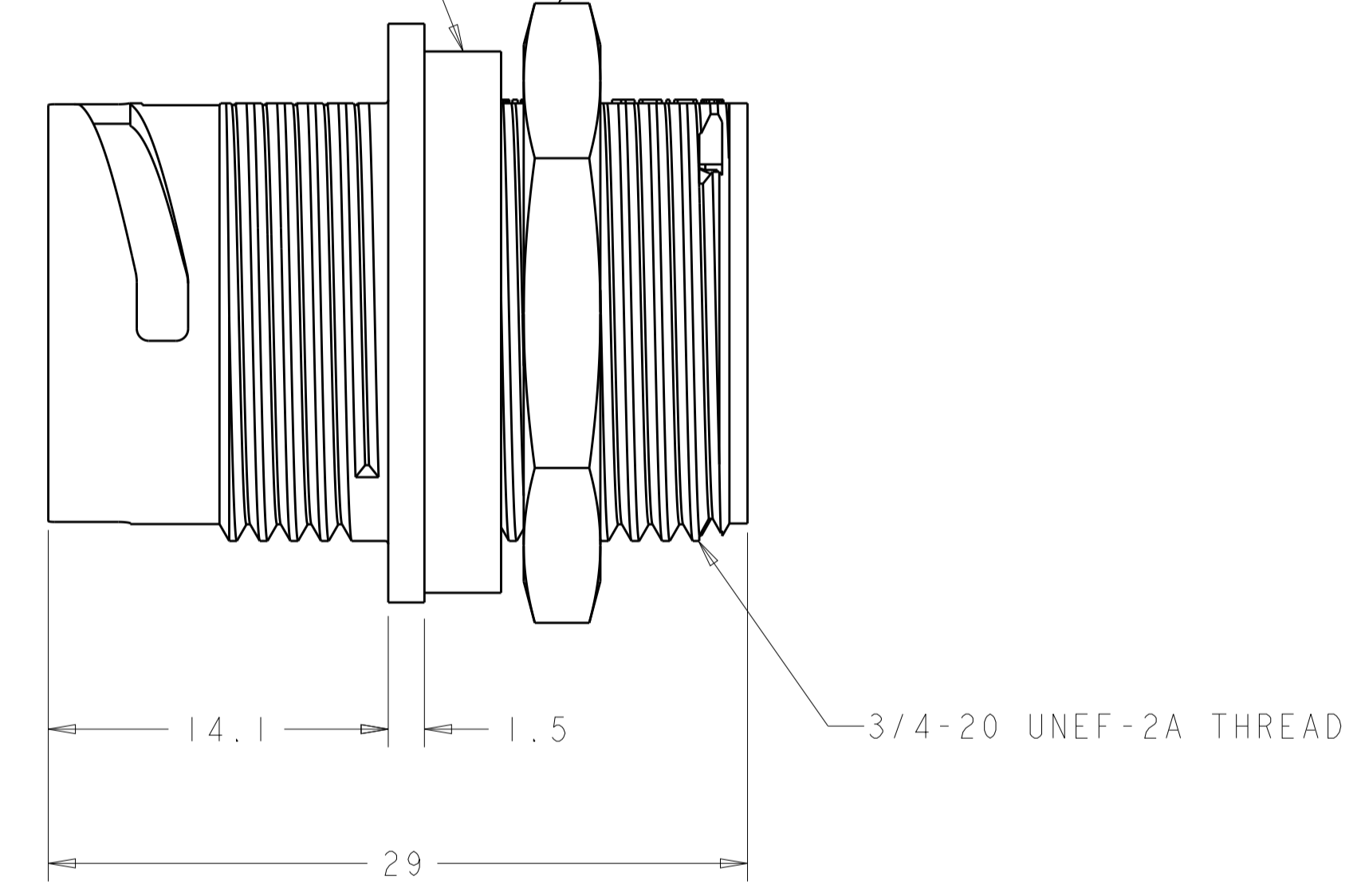


1. CONNECTOR CAN BE FRONT OR REAR PANEL MOUNTED.
 △ MAX PANEL THICKNESS - 3.18

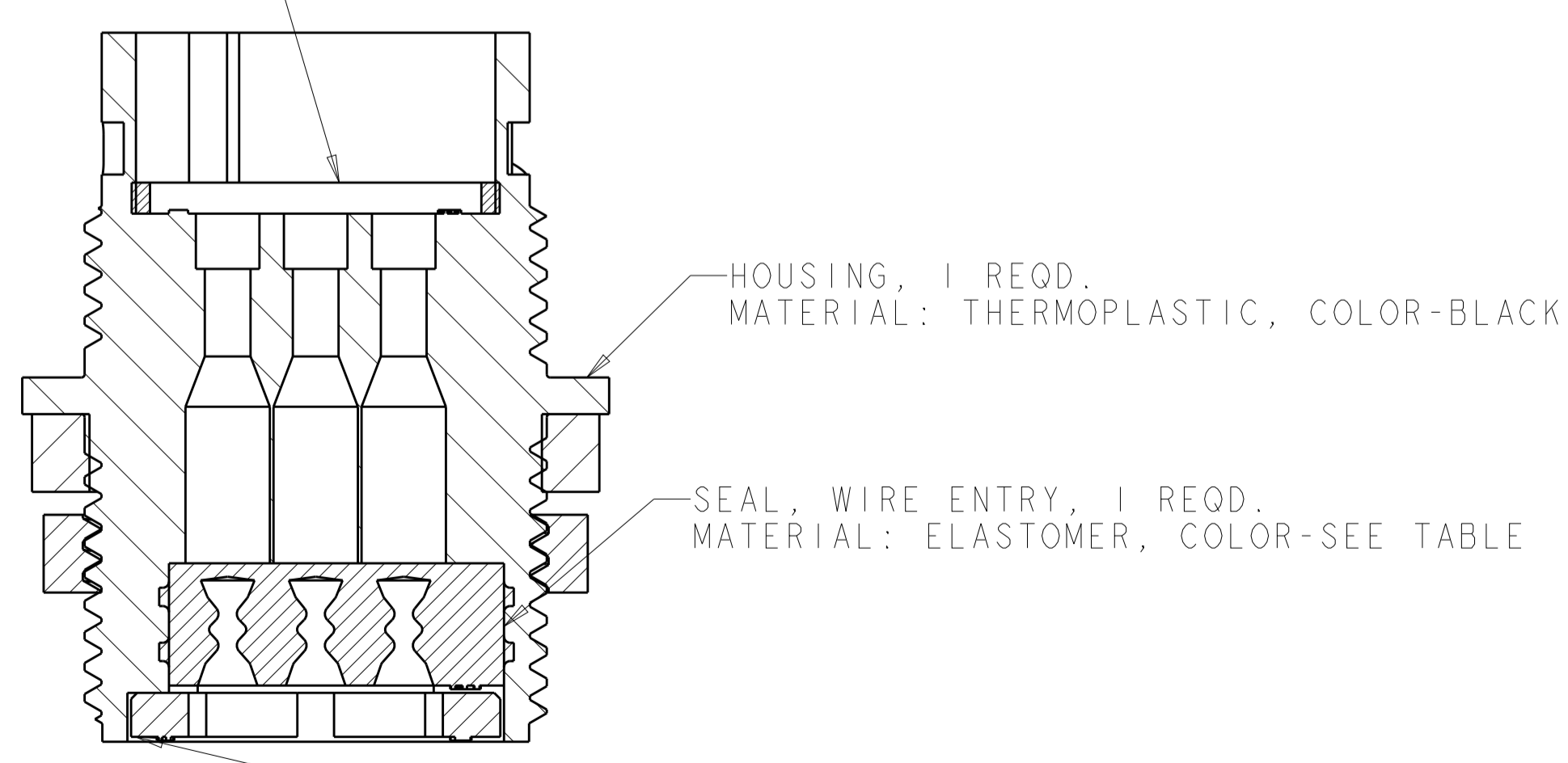


SEAL, PANEL; SHOWN FOR REFERENCE ONLY, TO BE ORDERED SEPARATELY, PART #1445420-02

JAM NUT, SHOWN FOR REFERENCE ONLY, TO BE ORDERED SEPARATELY, PART # 1445904-1



SEAL, PERIPHERAL, 1 REQD.
 MATERIAL: ELASTOMER, COLOR-GRAY



SECTION X-X
 RETAINER, SEAL, 1 REQD.
 MATERIAL: THERMOPLASTIC, COLOR-BLACK

OBSOLETE	Ø 1.5	135°	B	NATURAL	BROWN	1445816-7
OBSOLETE	Ø 0.75	135°	B	YELLOW	RED	1445816-4
OBSOLETE	Ø 1.5	115°	A	NATURAL	BLACK	1445816-3
OBSOLETE	Ø 1.5	135°	B	NATURAL	RED	1445816-2
	Ø 0.75	115°	A	YELLOW	BLACK	1445816-1
	Ø X REF	K REF	KEYING CODE	WIRE ENTRY SEAL COLOR	HOUSING COLOR	PART NUMBER

THIS DRAWING IS A CONTROLLED DOCUMENT.

DIMENSIONS: mm
 TOLERANCES UNLESS OTHERWISE SPECIFIED:
 0 PLC ±
 1 PLC ±0.13
 2 PLC ±
 3 PLC ±
 4 PLC ±
 ANGLES ±

MATERIAL: SEE CALLOUT
 FINISH: SEE CALLOUT

OWN: SHANE WIESE 12OCT2001
 CHK: G DOUTY 12OCT2001
 APVD: H. WAKEEM 13JUN2003

NAME: ASSEMBLY, RECEPTACLE, SIZE 11, 9 POSITION, PANEL MOUNT, SEALED, MINI CPC
 SIZE: A100779
 CAGE CODE: 1445816
 DRAWING NO: 1445816

SCALE: 3:1
 SHEET: 1 OF 1
 REV: D

STE TE Connectivity

Mouser Electronics

Authorized Distributor

Click to View Pricing, Inventory, Delivery & Lifecycle Information:

[TE Connectivity:](#)

[1445816-1](#)