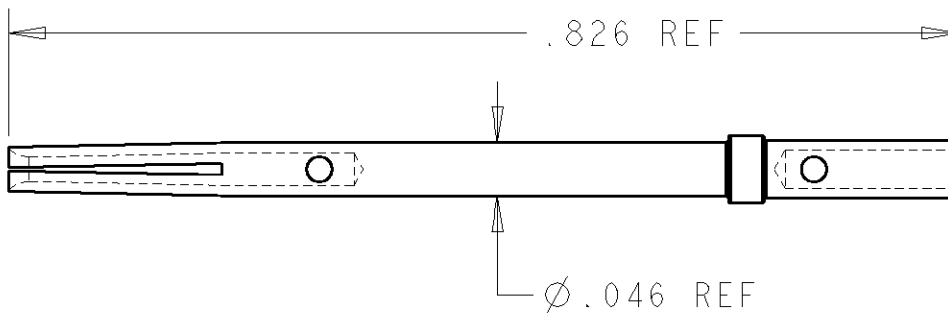


LOC	DIST	REVISIONS			
P	LTR	DESCRIPTION	DATE	DWN	APVD
DF	A5	0	DRAWN - RELEASED PER OH14-0039-05	12JAN2005	BY RW



1. THIS SOCKET CONTACT IS A REPLACEMENT COMPONENT FOR USE ON QUADRAX SOCKET ASSEMBLY AS SHOWN ON THE FOLLOWING DRAWING(S): 1445693.

20

RELEASED FOR PUBLICATION

THIS DRAWING IS UNPUBLISHED.

© COPYRIGHT 20 BY TYCO ELECTRONICS CORPORATION. ALL RIGHTS RESERVED.

50	1445700-5
BULK PACKAGE QUANTITY	PART NUMBER

DIMENSIONS: IN	DWN Brent D. Yohn	12JAN2005	MATERIAL	-	FINISH	-
	CHK R.P. WALTER	13JAN2005	Tyco Electronics Harrisburg, PA 17105-3608			
TOLERANCES UNLESS OTHERWISE SPECIFIED:	APVD R.P. WALTER	13JAN2005				
0 PLC ±-	PRODUCT SPEC	-	NAME CONTACT, SOCKET, CRIMP, SIZE 24, QUADRAX			
1 PLC ±-	APPLICATION SPEC	-				
2 PLC ±-	WEIGHT	-	SIZE	A4	CAGE CODE	00779
3 PLC ±-			DRAWING NO	C=1445700		RESTRICTED TO
4 PLC ±-			CUSTOMER DRAWING			
ANGLES ±-			SCALE	6:1	SHEET	1 OF 1
						REV 0

# Mouser Electronics

Authorized Distributor

Click to View Pricing, Inventory, Delivery & Lifecycle Information:

[TE Connectivity:](#)

[1445700-5](#)