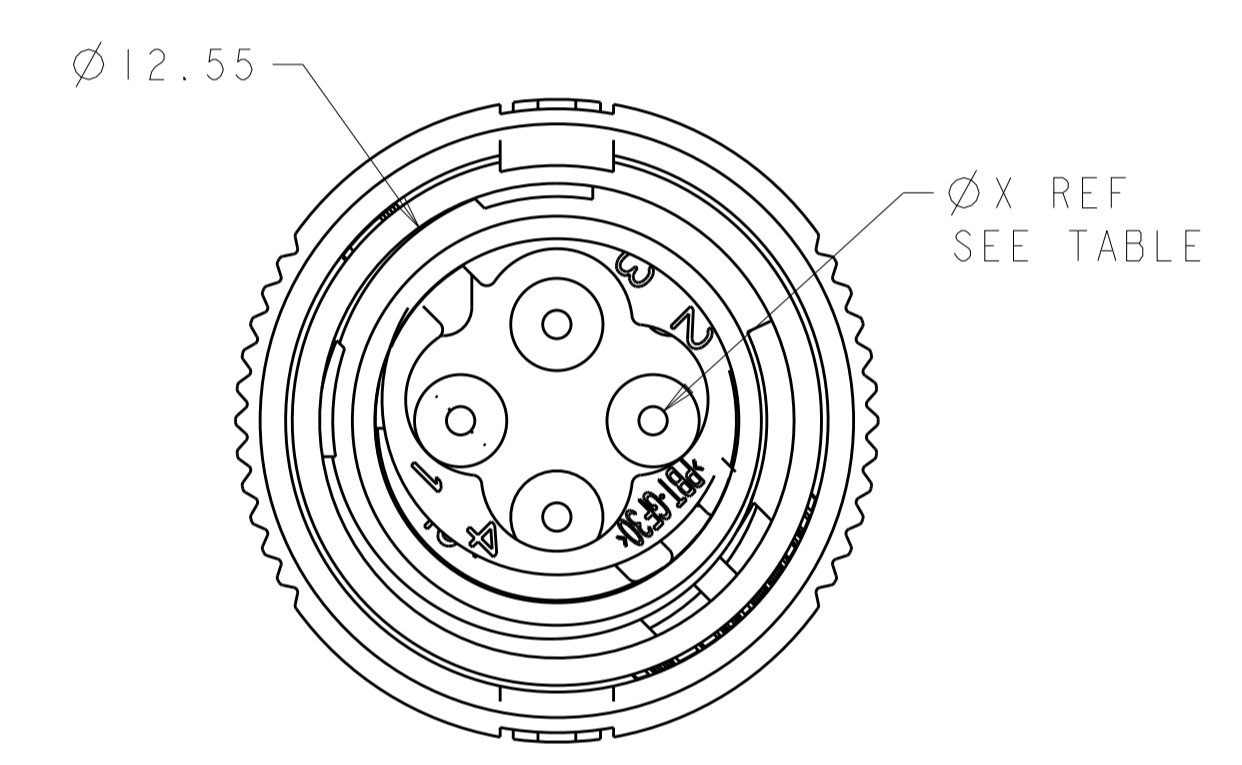
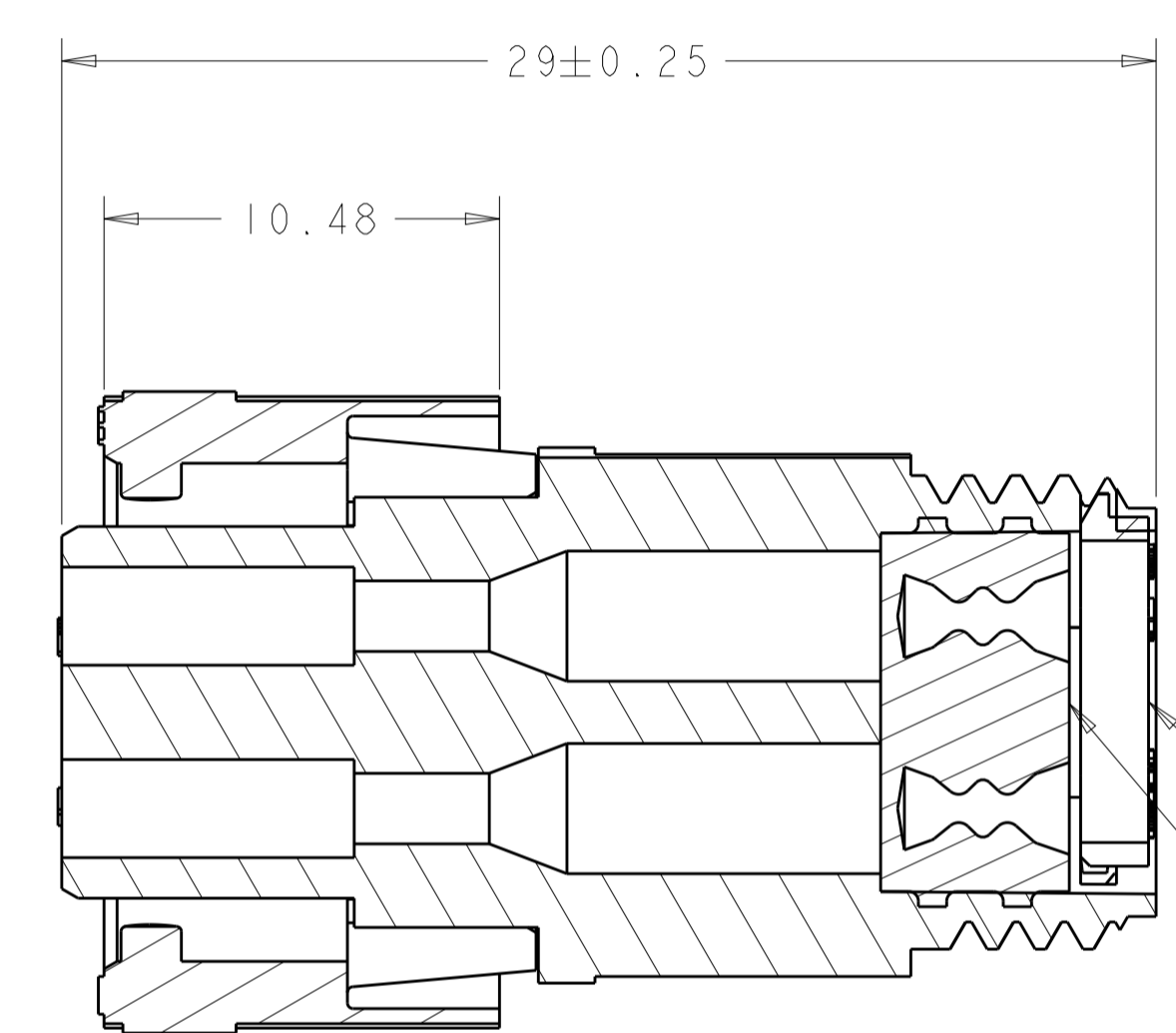
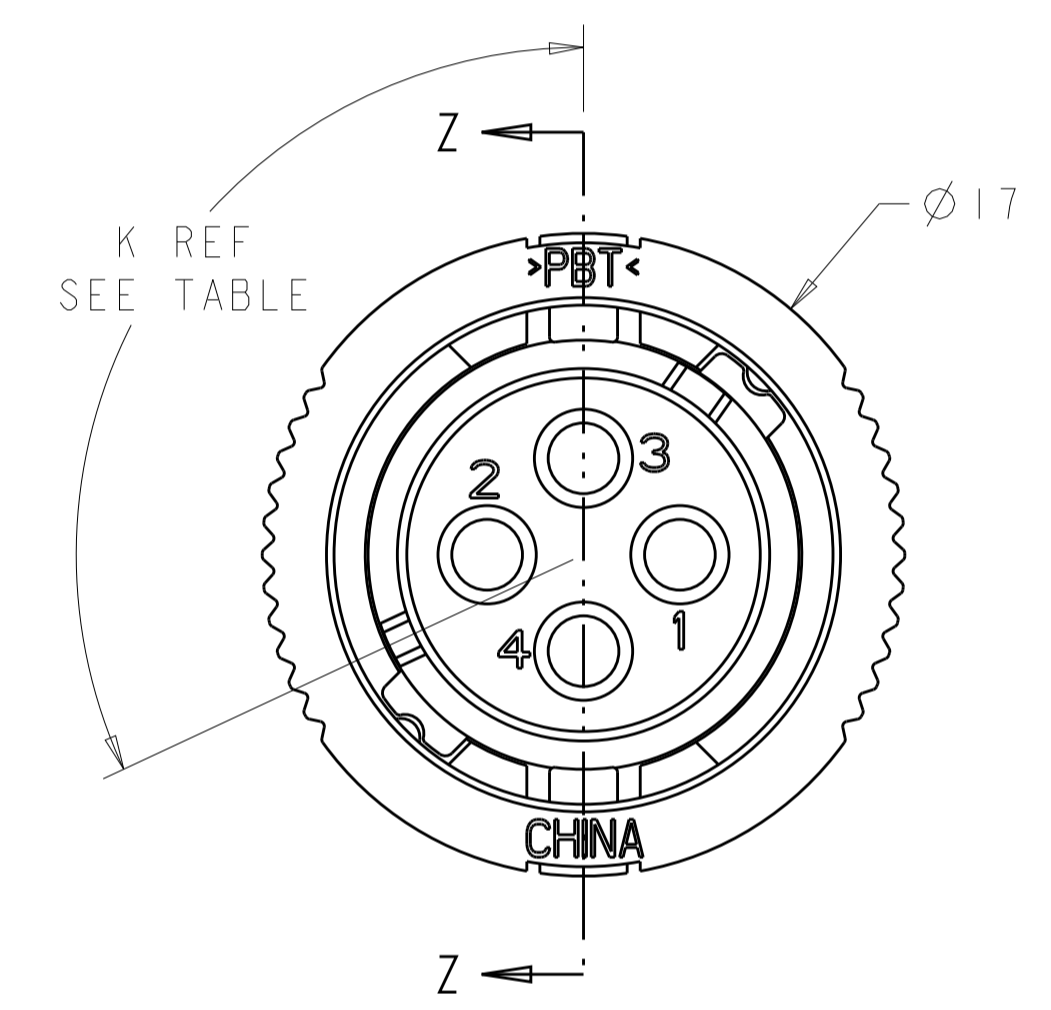
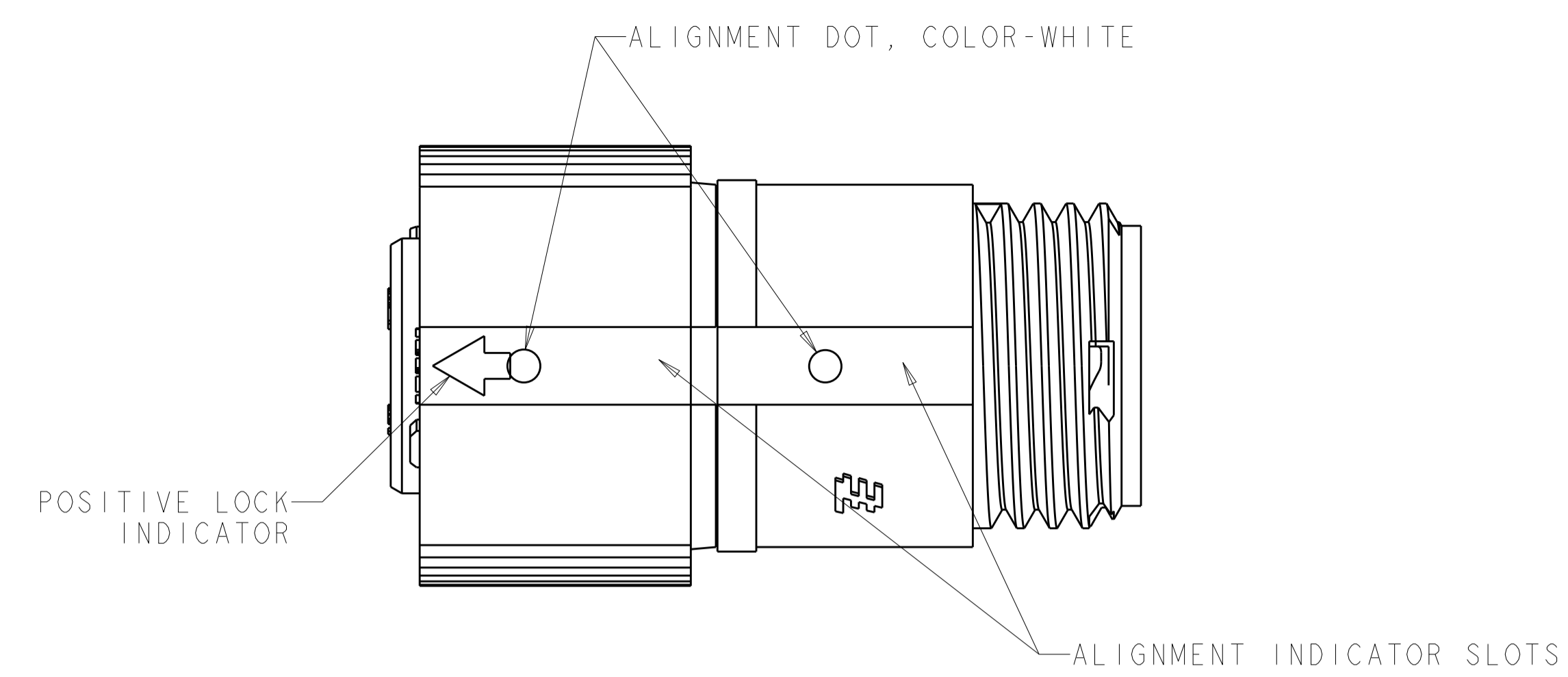
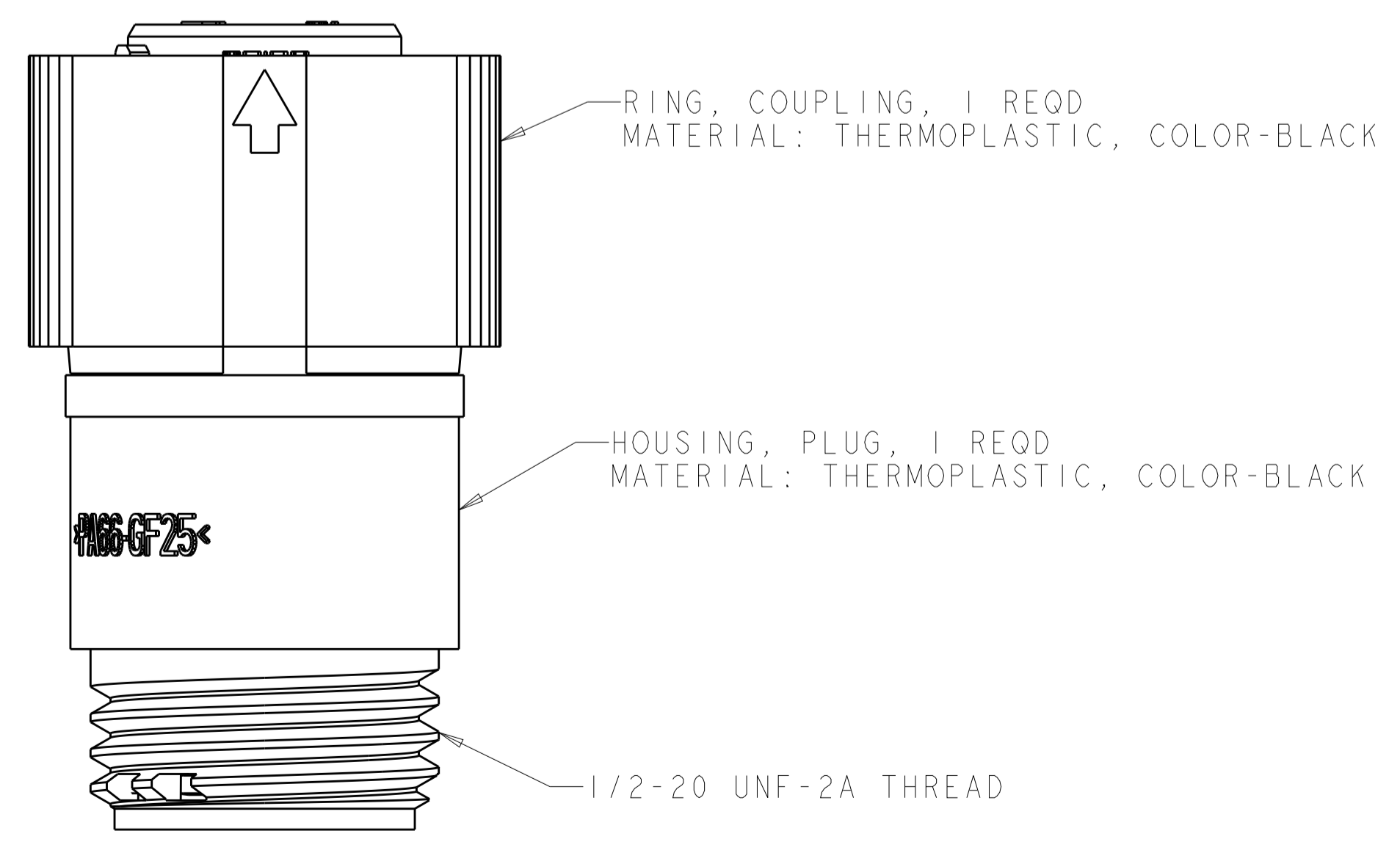


LOC		DIST		REVISIONS			
FT	0	P	LTH	DESCRIPTION	DATE	DWN	APVD
		B3		REVISED PER ECO-15-010004	13JUL2015	NK	MZ
		C		REVISED PER ECO-17-004650	06APR2017	BDA	MZ



RETAINER, SEAL, 1 REQD
 MATERIAL: THERMOPLASTIC, COLOR-BLACK

SEAL, WIRE ENTRY, 1 REQD
 MATERIAL: ELASTOMER, COLOR-SEE TABLE



OBSOLETE	YELLOW	Ø0.75	130°	1445390-04
	NATURAL	Ø1.5	115°	1445390-03
OBSOLETE	NATURAL	Ø1.5	130°	1445390-02
	YELLOW	Ø0.75	115°	1445390-01
	SEAL, WIRE ENTRY COLOR	ØX REF	K REF	PART NUMBER

THIS DRAWING IS A CONTROLLED DOCUMENT.

DIMENSIONS: mm

TOLERANCES UNLESS OTHERWISE SPECIFIED:

0 PLC	±
1 PLC	±0.13
2 PLC	±
3 PLC	±
4 PLC	±
ANGLES	±

MATERIAL: SEE CALLOUT

FINISH: SEE CALLOUT

APPROVED: G. DOUTY 01MAR2001

CHECKED: H. WAKEEM 12JUN2003

APPROVED: H. WAKEEM 12JUN2003

NAME: ASSEMBLY, PLUG, SIZE 8
 4 POSITION, SEALED, MINI CPC

SIZE: A1

WEIGHT: -

CAGE CODE: 100779

DRAWING NO: 1445390

CUSTOMER DRAWING

SCALE: 5:1

SHEET: 1 OF 1

REV: C

STE TE Connectivity

Mouser Electronics

Authorized Distributor

Click to View Pricing, Inventory, Delivery & Lifecycle Information:

[TE Connectivity:](#)

[1445390-1](#)