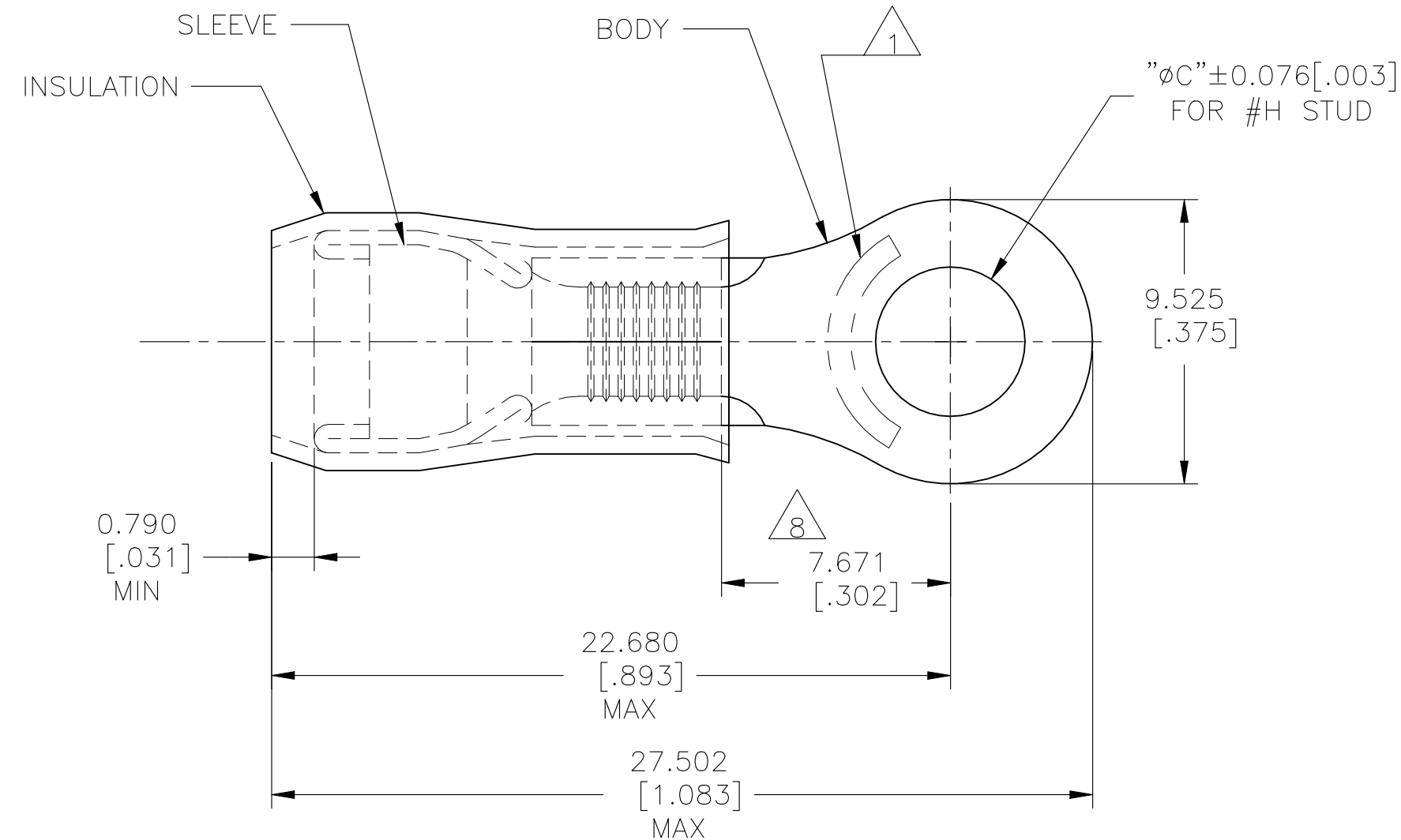


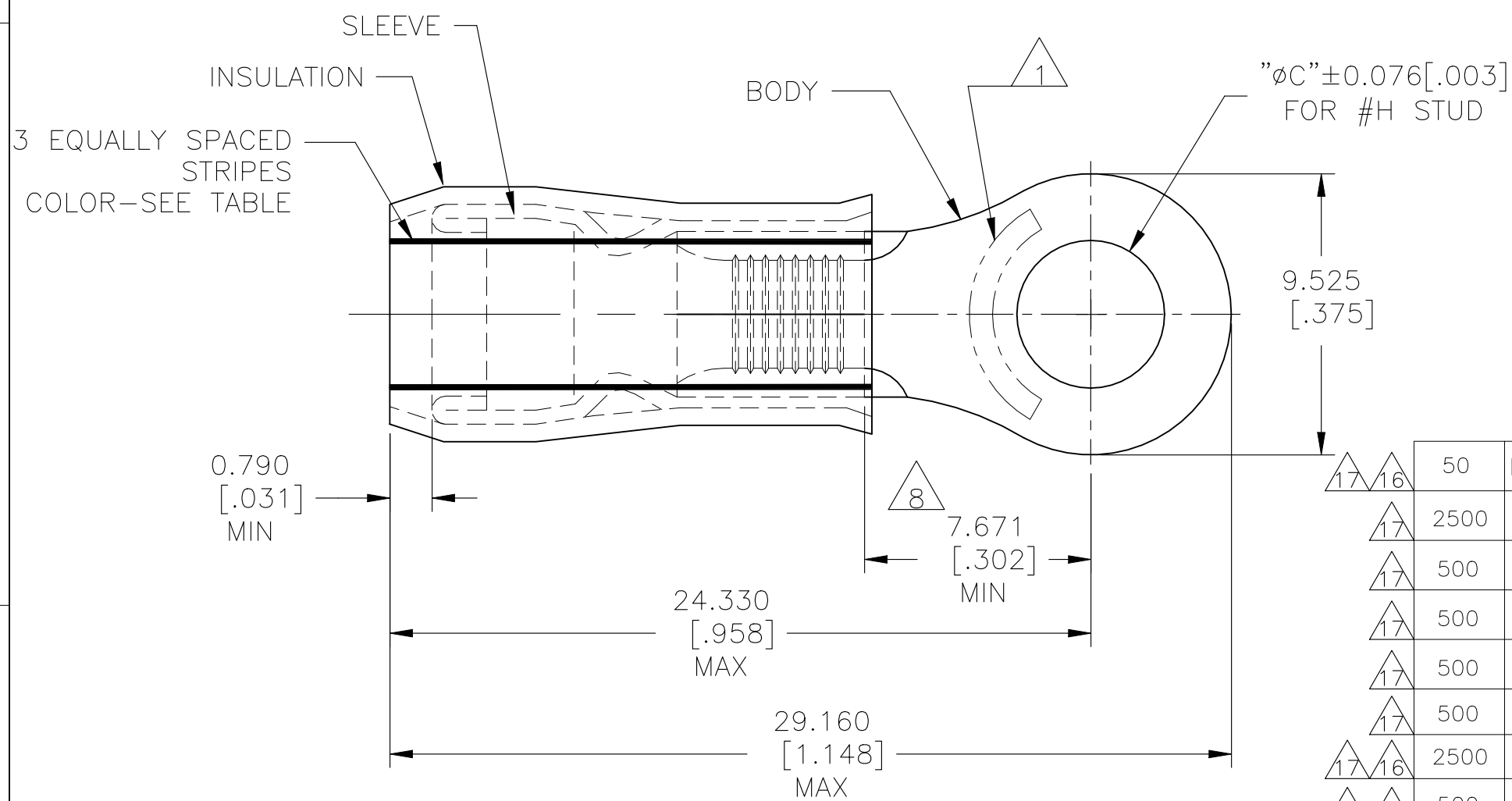
REVISIONS					
P	LTR	DESCRIPTION	DATE	DWN	APVD
AA5		REVISED PER ECN-22-156403	06JUN2022	RK	CSD



STYLE A

AMP WIRE RANGE	Δ 16 \odot L E13288 Listed
12-10 AWG SOLID OR STRANDED IR: STRANDED	12-10 AWG STRANDED
Δ 17 \odot LR7189 Certified	
12-10 AWG SOLID OR STRANDED IR: STRANDED	

- Δ 1 STAMP "AMP - SEE TABLE" APPROX AS SHOWN.
- 2 WIRE INSULATION DIA: SEE TABLE.
- 3 BODY MATERIAL THK: 0.991±0.051[.039±.002].
- Δ 4 BODY: TIN PLATE 0.00254[.000100] MIN EXT THK PER ASTM B545.
- Δ 5 SLEEVE: TIN PLATE 0.00254[.000100] MIN EXT THK PER ASTM B545.
- Δ 6 SLEEVE: NICKEL PLATE PER SAE AMS QQ-N-290.
- Δ 7 BODY & SLEEVE- CU PER ASTM B152
INSULATION - NYLON PER ASTM D4066.
- Δ 8 APPLIES FROM EDGE OF METAL WIRE BARREL TO CENTER OF STUD HOLE.
- Δ 9 MEETS MS25036-112, CLASS 1.
- 10 NOTE DELETED
- Δ 11 MEETS M7928/1-58, CLASS 1.
- Δ 12 MEETS M7928/1-65, CLASS 1.
- Δ 13 MEETS M7928/1-56, CLASS 1.
- Δ 14 MEETS M7928/1-63, CLASS 1.
- 15 NOTE DELETED.
- Δ 16 UL LISTED.
- Δ 17 CSA CERTIFIED.



STYLE B
INSULATION RESTRICTING

QTY	PACKAGE TYPE	"H"	"C"	Δ STAMPING	WIRE INSUL DIA	WIRE SIZE	STRIPE COLOR	STYLE	BODY FINISH	SLEEVE FINISH	PART NO
50	LOOSE PIECE, BOX	#10	5.004[.197]	12-10*	3.810[.150]-5.842[.230]	12-10	--	A		Δ 5	8-36161-2
2500	ON TAPE & REEL	#10	5.004[.197]	12*	3.023[.119]-5.080[.200]	12	BROWN	B		Δ 6	2-36161-8
500	LOOSE PIECE	[#6]M3.5	3.683[.145]	10*	3.023[.119]-5.080[.200]	10	BROWN	B		Δ 6 Δ 14	2-36161-6
500	LOOSE PIECE	[#6]M3.5	3.683[.145]	12*	2.413[.095]-5.080[.200]	12	YELLOW	B	Δ 4	Δ 6 Δ 13	2-36161-5
500	LOOSE PIECE	#10	5.004[.197]	10*	3.023[.119]-5.080[.200]	10	BROWN	B		Δ 6 Δ 12	2-36161-4
500	LOOSE PIECE	#10	5.004[.197]	12*	2.413[.095]-5.080[.200]	12	YELLOW	B		Δ 6 Δ 11	2-36161-3
2500	ON TAPE & REEL	#10	5.004[.197]	12-10*	3.810[.150]-5.842[.230]	12-10	--	A		Δ 5	2-36161-2
500	LOOSE PIECE	#10	5.004[.197]	12-10*	3.810[.150]-5.842[.230]	12-10	--	A		Δ 5 Δ 9	36161

AMP INCORPORATED CUSTOMER SERVICE SYSTEMS		THIS DRAWING IS A CONTROLLED DOCUMENT.		DWN JR RUTH 17DEC09	TE TE Connectivity
FOR ADDITIONAL PRODUCT INFORMATION OR COPIES OF DRAWINGS AND TECHNICAL DOCUMENTS	PRODUCT INFORMATION CENTER 1-800-522-6752	MAX RECOMMENDED OPERATING TEMPERATURE: 105°C[221°F] MAX	DIMENSIONS: mm [INCHES]	CHK T MICHIELUTTI 17DEC09	
FOR APPLICATION TOOLING INFORMATION	TOOLING ASSISTANCE CENTER 1-800-722-1111	VOLTAGE RATING: 300 VOLT MAX	TOLERANCES UNLESS OTHERWISE SPECIFIED: 0 PLC ± - 1 PLC ± - 2 PLC ± - 3 PLC ± 0.127[.005] 4 PLC ± - ANGLES ± -	APVD T MICHIELUTTI 17DEC09	NAME UL 486 A-B Δ 16
FOR ORDER ENTRY	1-800-526-5142	CIRCULAR MIL AREA: 2.62-6.64mm[5,180-13,100] STRANDED OR SOLID	MATERIAL Δ 7	INSULATION: SEE TABLE COLOR YELLOW	APPLICATION SPEC 114-2157
				WEIGHT -	SIZE A2
				CAGE CODE 00779	
				DRAWING NO C-36161	
				RESTRICTED TO -	
				SCALE 5:1	
				SHEET 1 of 1	
				REV AA5	

Mouser Electronics

Authorized Distributor

Click to View Pricing, Inventory, Delivery & Lifecycle Information:

[TE Connectivity:](#)

[2-36161-2](#)