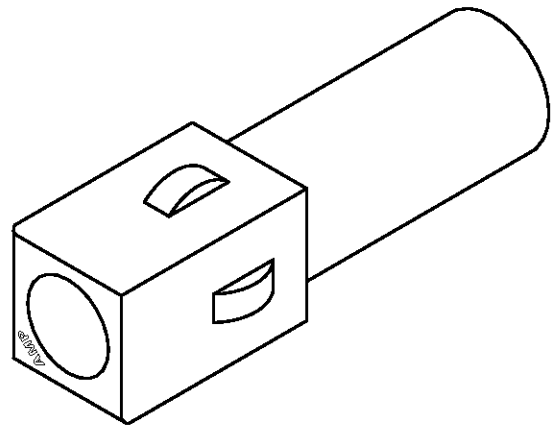
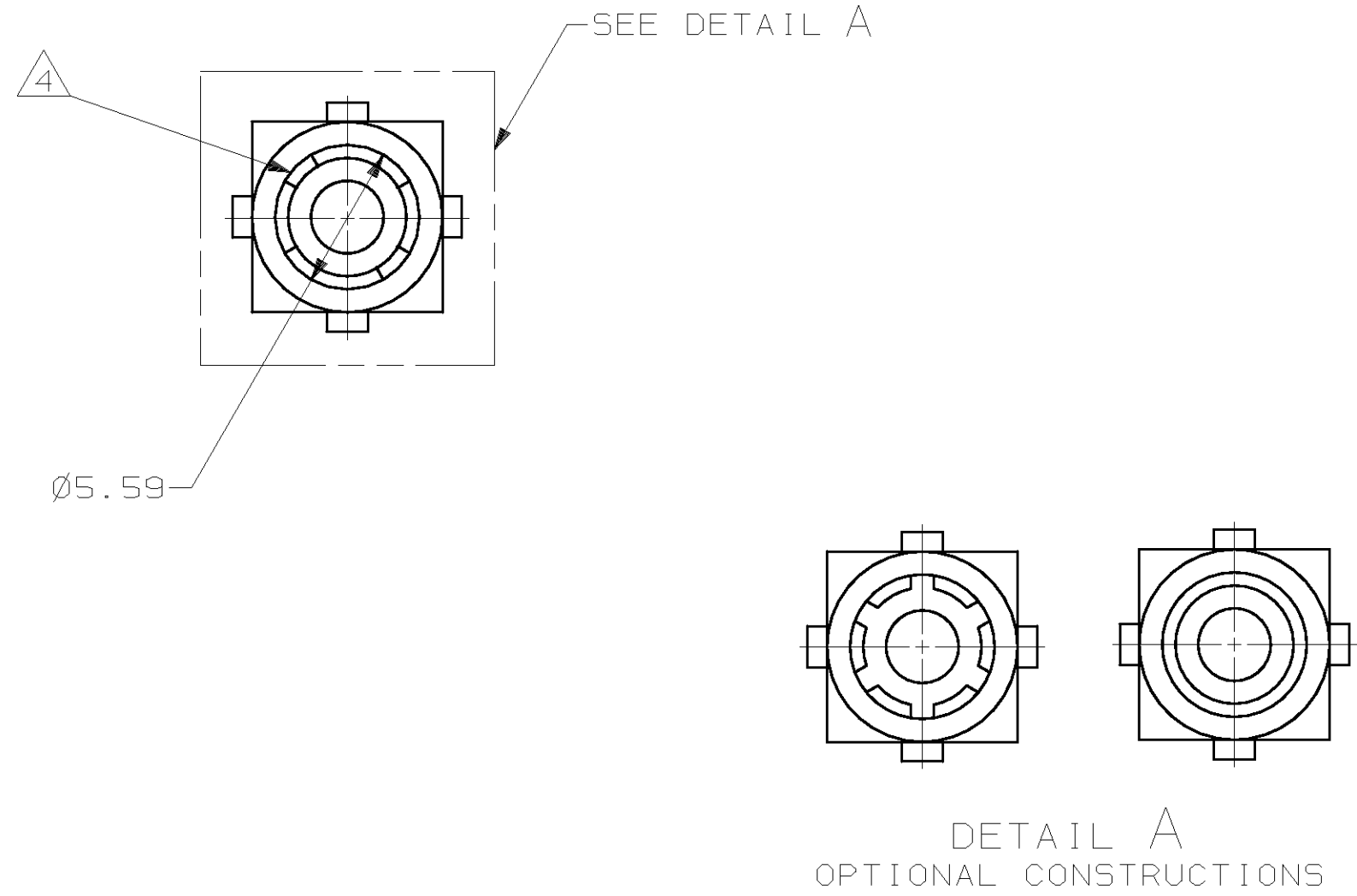
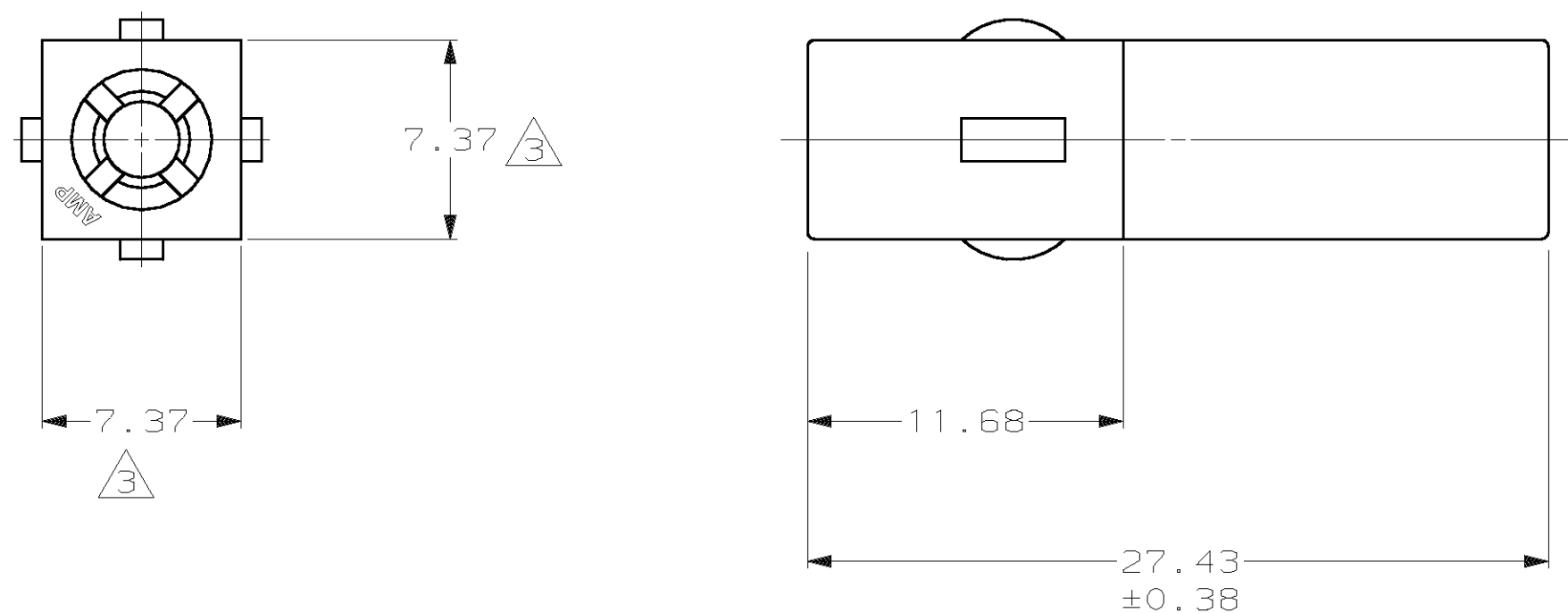


LOC		DIST		REVISIONS					
ZONE	LTR	DESCRIPTION	DATE	APPD					
CM	53			M	REV PER EC	0G1B-0184-98	10-15-98	JH	RS

- MATES WITH APPROPRIATE UNIVERSAL MATE-N-LOK™ CAP.
 - SMALL NICKS ARE PERMITTED ON THE CIRCUIT TOWER WHICH COULD INCREASE THE INITIAL HOUSING MATING FORCE BY UP TO 2.2 NEWTONS [.5 LBS].
- △ DIMENSION INDICATED IS AS MOLDED. ADDITIONAL GROWTH DUE TO SUBSEQUENT MOISTURE ABSORPTION MAY OCCUR.
- △ FOUR RIBS EQUALLY SPACED, NO SPECIFIC ORIENTATION. NO RIBS OR SIX RIBS EQUALLY SPACED, NO SPECIFIC ORIENTATION, OPTIONAL.



3-DIMENSIONAL MODEL NTS

MM	IN
27.43	1.080
11.68	.460
7.37	.290
5.59	.220
0.38	.015
0.13	.005
MM	IN

METRIC

DO NOT SCALE PRINT. UNLESS SPECIFIED DIMENSIONS IN mm [INCHES] TOLERANCES ON : 2 PLC DEC ± 0.13 3 PLC DEC ± - ANGLES ± 0°30'		DR 3-9-92 K. WHITAKER	1-350867-0 PART NO	
MATERIAL NYLON, UL 94V-2 NATURAL	CHK 3-9-92 R. SWING	AMP AMP Incorporated Harrisburg, PA 17105-3608		
FINISH -	APPD 3-10-92 D. SELF	NAME PLUG, SINGLE CIRCUIT, UNIVERSAL MATE-N-LOK™		
APPLICATION SPEC -	APPD 3-10-92 D. SELF	SIZE C 00779	DRAWING NO 350867	
WEIGHT -	PRODUCT SPEC -	SCALE 4:1	SHEET 1 OF 1	