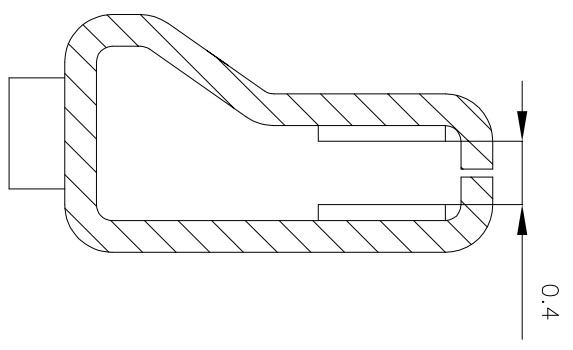
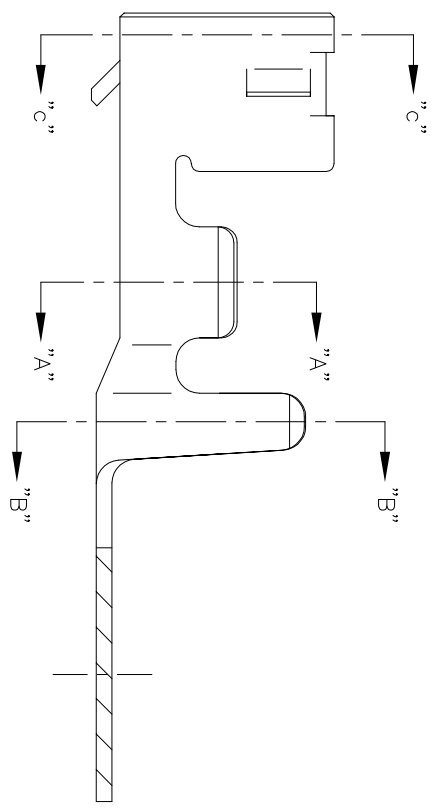
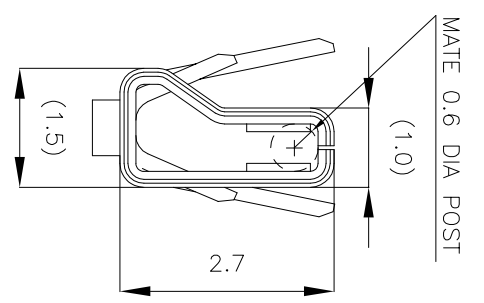
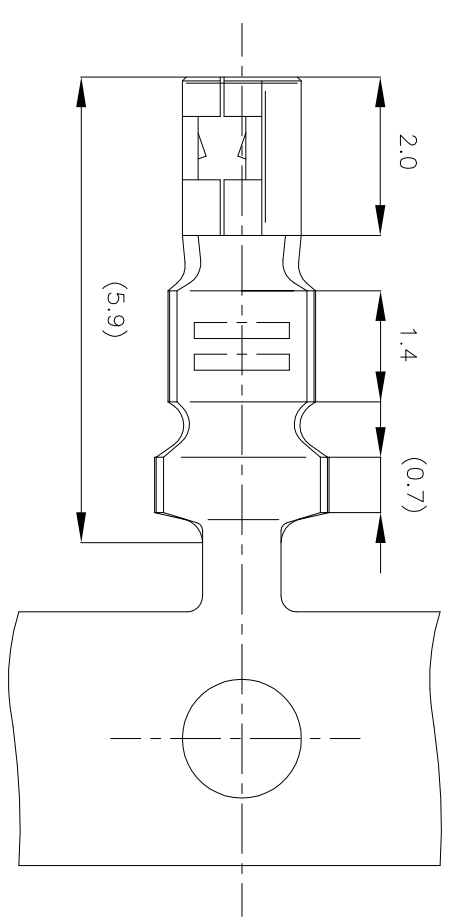
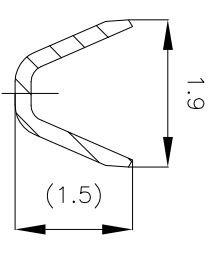
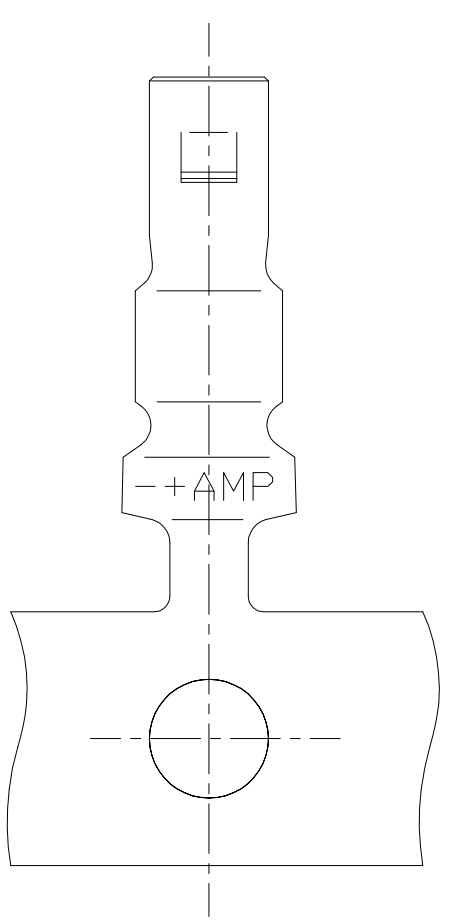


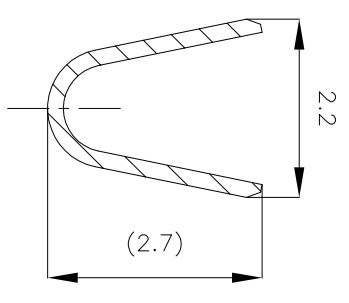
LOC		DIST		REVISONS		DATE	DMN	APPD
ES	00	P	LTR	DESCRIPTION		10OCT14	T.Q	W.H
B4		REVISED PER ECR-14-003219						



SECT "C"-"C"  
SCALE 20-1



SECT "A"-"A"



SECT "B"-"B"

NOTES:  
 1. USE HOUSING: P/N 179228

GOLD PLT COPPER ALLOY (0.2t)	179227-4
PRE TINNED COPPER ALLOY (0.2t)	179227-1
MATERIAL & FINISH	PART NO.

DMN: T. FURUYA 12NOV93  
 CHK: S. KUBOUCHI 15NOV93  
 APD: S. KUBOUCHI 15NOV93  
 PRODUCT SPEC: 108-60029  
 APPLICATION SPEC: 114-5179



TE Connectivity

CRIMP TYPE II RECEPTACLE CONTACT  
 (AMP CT CONNECTOR 2mm PITCH)

GENERAL TOLERANCE  
 0 < \* ≤ 10: ±0.2  
 10 < \* ≤ 30: ±0.25  
 30 < \* ≤ 100: ±0.3  
 ANGLES: ±3°

DIMENSIONS:		TOLERANCES UNLESS OTHERWISE SPECIFIED	
mm		mm	
0 P.C.	±	0 P.C.	±
1 P.C.	±	1 P.C.	±
2 P.C.	±	2 P.C.	±
3 P.C.	±	3 P.C.	±
4 P.C.	±	4 P.C.	±
ANGLES	±	ANGLES	±

THIS DRAWING IS A CONTROLLED DOCUMENT.	SIZE	CAGE CODE	DRAWING NO	RESTRICTED TO
MATERIAL SEE TABLE	A2	00779	179227	
FINISH SEE TABLE	SCALE	NTS	SHEET	1 OF 1
CUSTOMER DRAWING	REV	B4		

# Mouser Electronics

Authorized Distributor

Click to View Pricing, Inventory, Delivery & Lifecycle Information:

[TE Connectivity:](#)

[179227-1](#)