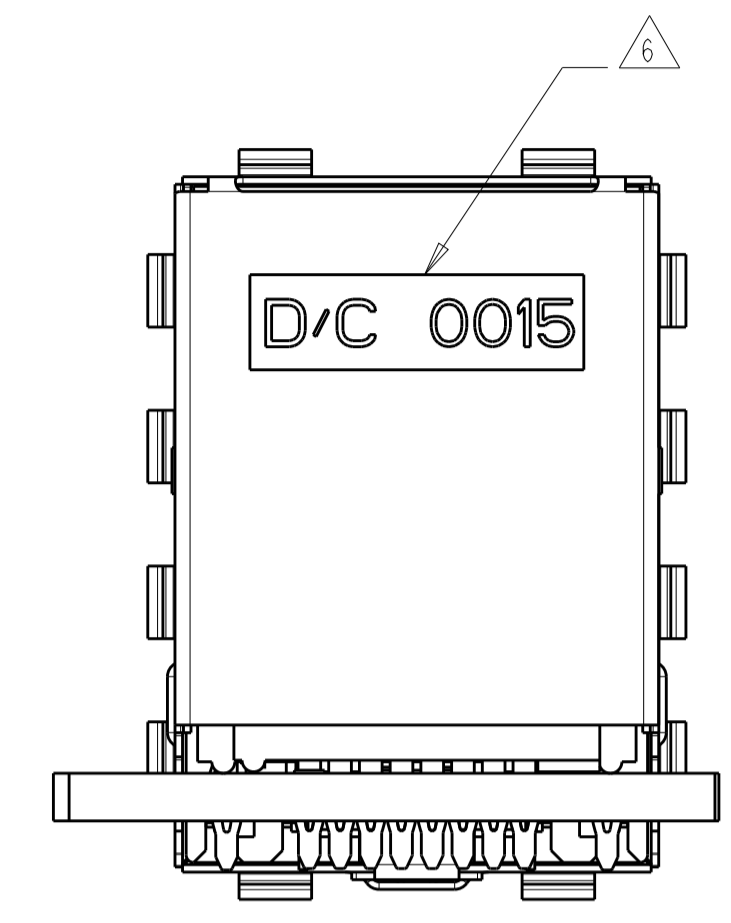
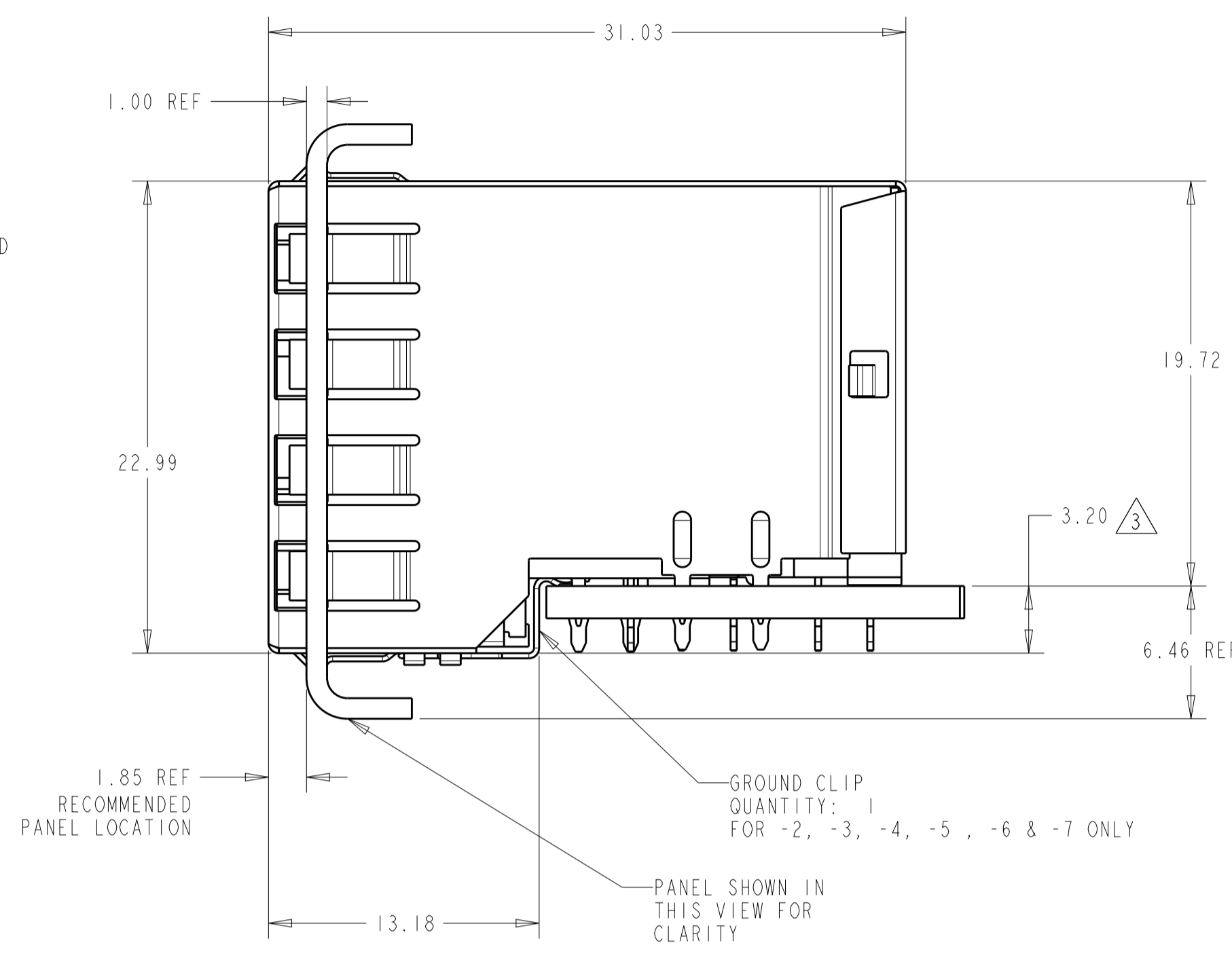
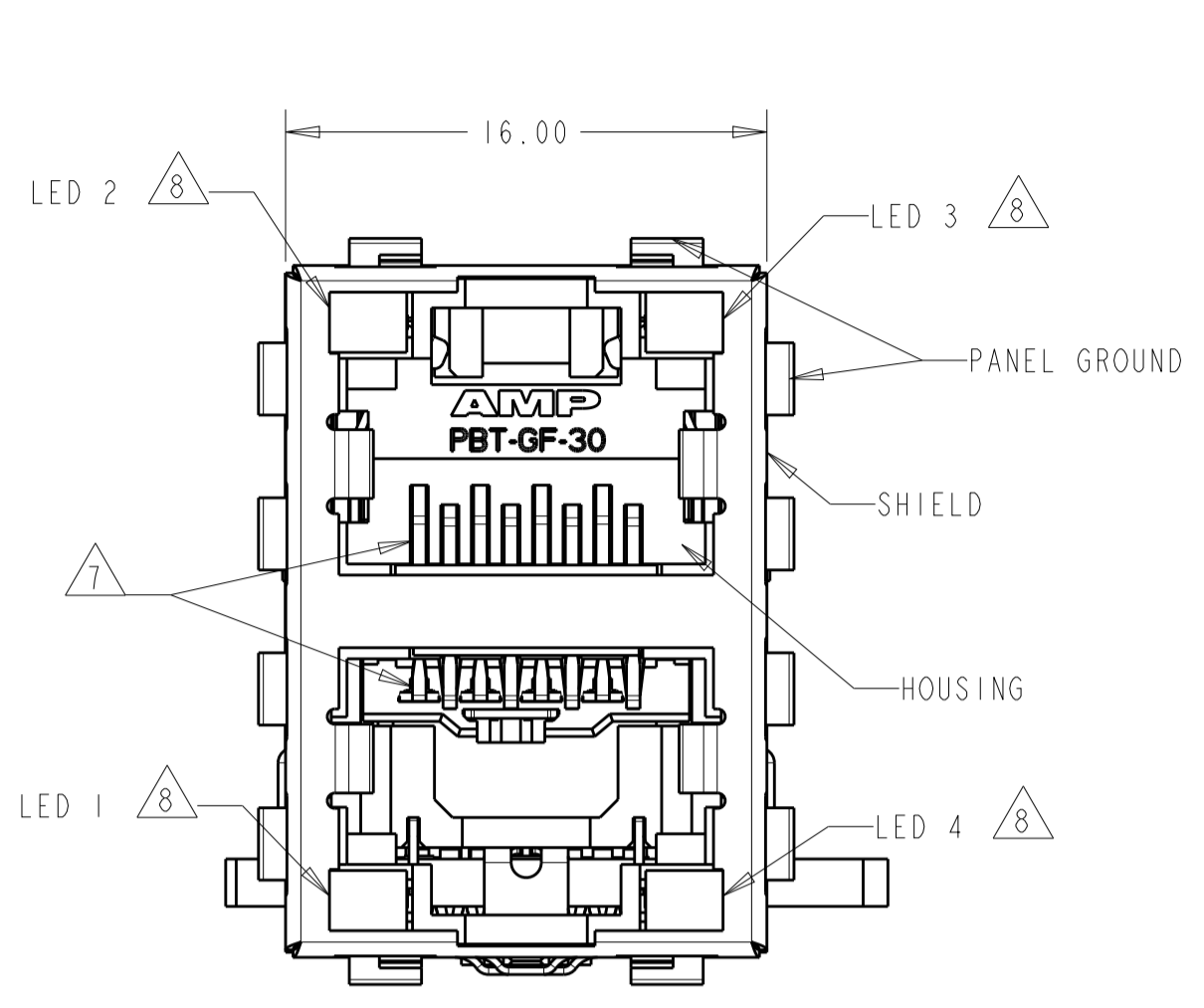
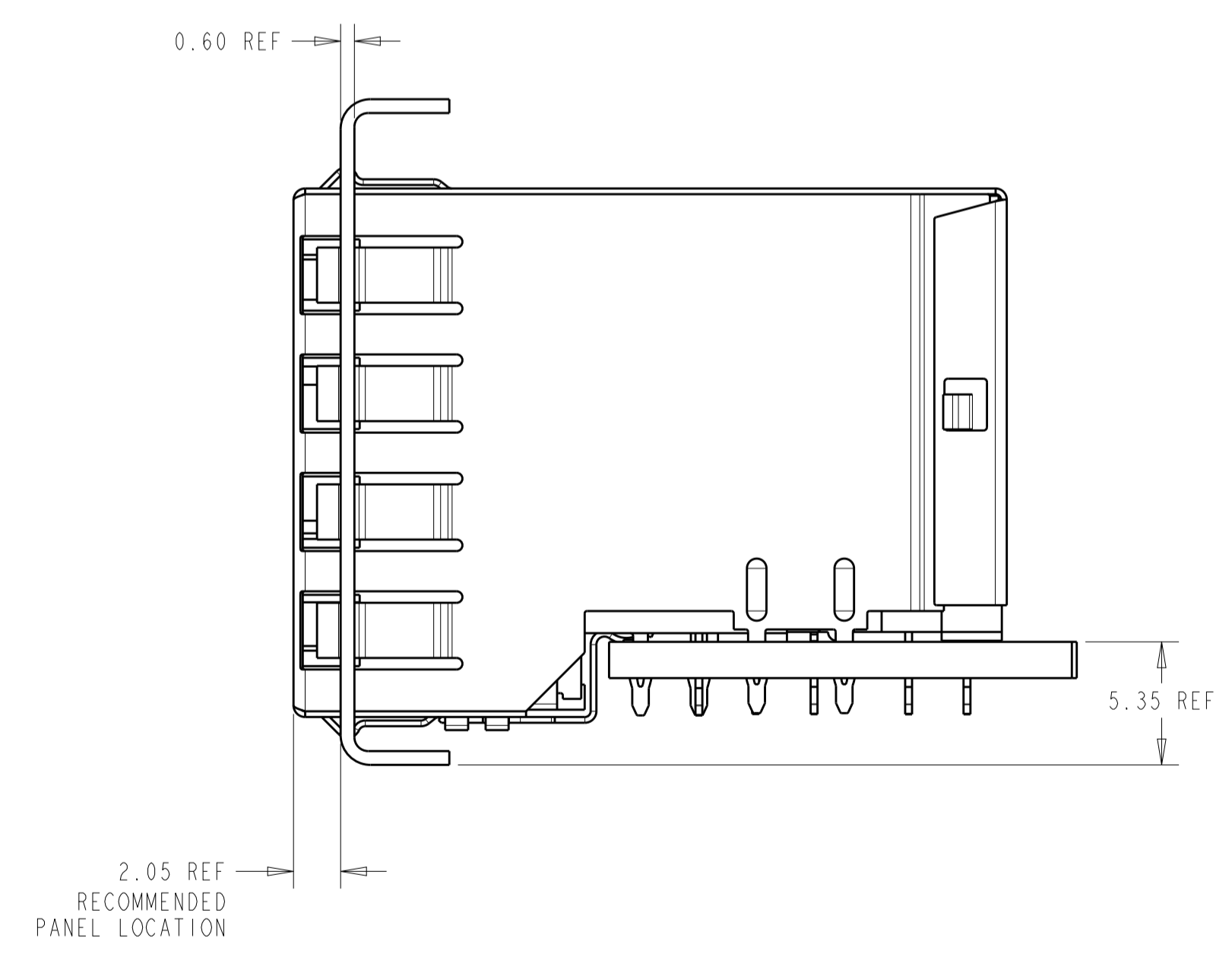


LOC		DIST		REVISIONS			
P	LTN	DESCRIPTION	DATE	OWN	APVD		
G		ECO-15-006810	22JAN2016	LL	SH		
H		ECO-16-010145	11JUL2016	LL	SH		
J		ECO-16-011047	25JUL2016	LL	SH		
K		ECO-17-011372	04AUG2017	LL	SH		

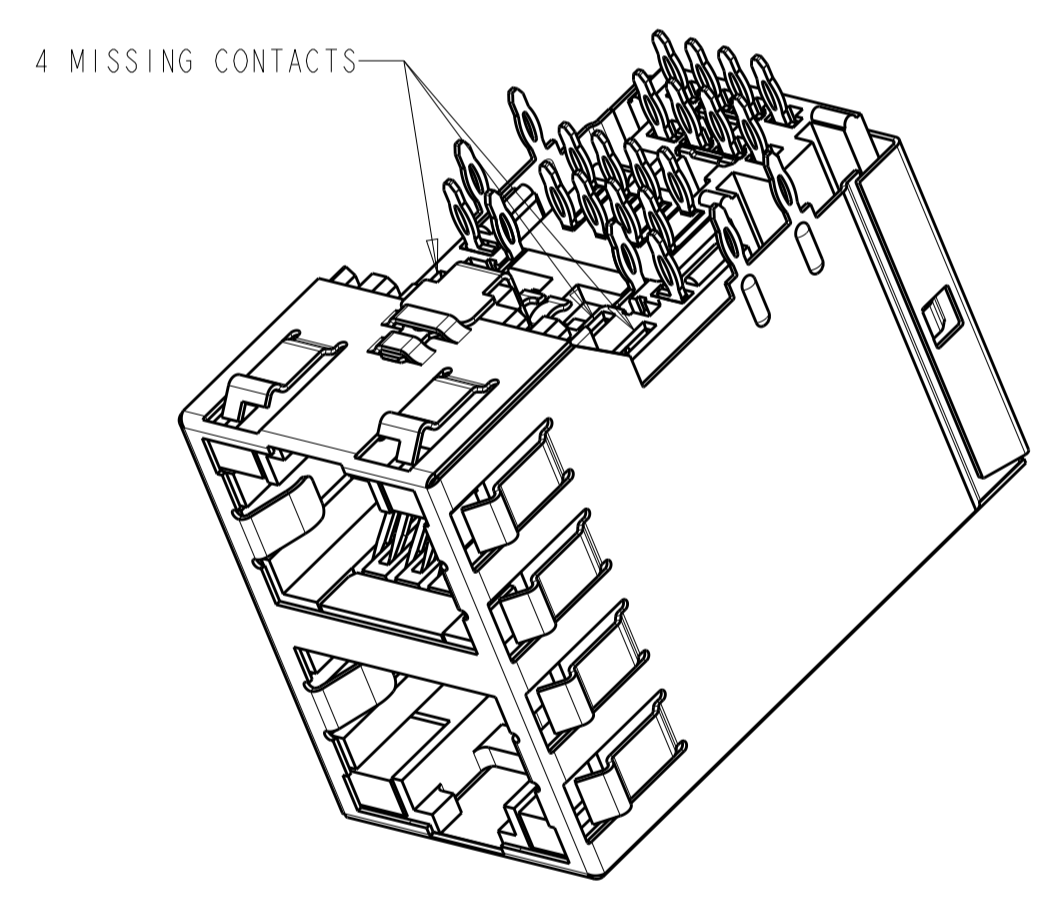


- MATERIAL:
 - HOUSING: PBT POLYESTER, BLACK, UL 94V-0.
 - TERMINALS: 0.33 THICK PHOSPHOR BRONZE PLATED WITH 1.27um MINIMUM THICK HARD GOLD IN LOCALIZED AREA AND 2.0um MINIMUM THICK MATTE TIN IN ACTION PIN COMPLIANT PIN TERMINAL AREA OVER 1.27um MINIMUM THICK NICKEL UNDERPLATE.
 - SHIELD: 0.25 THICK COPPER ALLOY PLATED WITH 2.03um MINIMUM TIN OVER 1.27 um MINIMUM NICKEL
 - GROUNDING CLIP: 0.25 THICK COPPER ALLOY PRE-PLATED WITH 2.03um MINIMUM MATTE TIN OVER 1.27um MINIMUM NICKEL
 - LIGHT EMITTING DIODE (LED): DIFFUSED EPOXY LENS, 12.95 CARBON STEEL WIREFRAME LEADS PREPLATED WITH 8.89um THK. TIN/COPPER OVER 2.03um THK. SILVER OVER 1.02um COPPER OVER 3.56um THK. NICKEL OVER 1.02um THK. COPPER UNDERPLATE
 - LED ACTION PIN - COMPLIANT PIN CONTACTS: 0.3 THICK BRASS PLATED WITH 2um MINIMUM MATTE TIN OVER 1.27um MINIMUM NICKEL UNDERPLATE.
- JACK CAVITY CONFORMS TO FCC RULES AND REGULATIONS, PART 68 SUBPART F.
 - MAXIMUM PIN LENGTH 3.40 FROM TOP SURFACE OF PC BOARD.
 - FINISHED PLATED THRU HOLE DIAMETER - ANNULAR RING DIAMETER 1.3 TO 1.5
 - DATUMS AND BASIC DIMENSIONS ESTABLISHED BY CUSTOMER
 - DATE CODE LOCATED ON REAR OF PART APPROXIMATELY AS SHOWN
 - CONTACTS ARE NOT INTENDED TO BE ALIGNED WITH EACH OTHER
 - SUGGESTED OPERATING CURRENT FOR LEDS IS 20 mA
 - PCB THROUGH HOLES FOR LED #1 AND LED #4 ARE NOT REQUIRED FOR 1888653-5,6, 1-1888653-1.
 - THE PN 1-1888653-1 LED DOMINANT WAVELENGTH: GREEN 525nm TYP. YELLOW 590nm TYP.

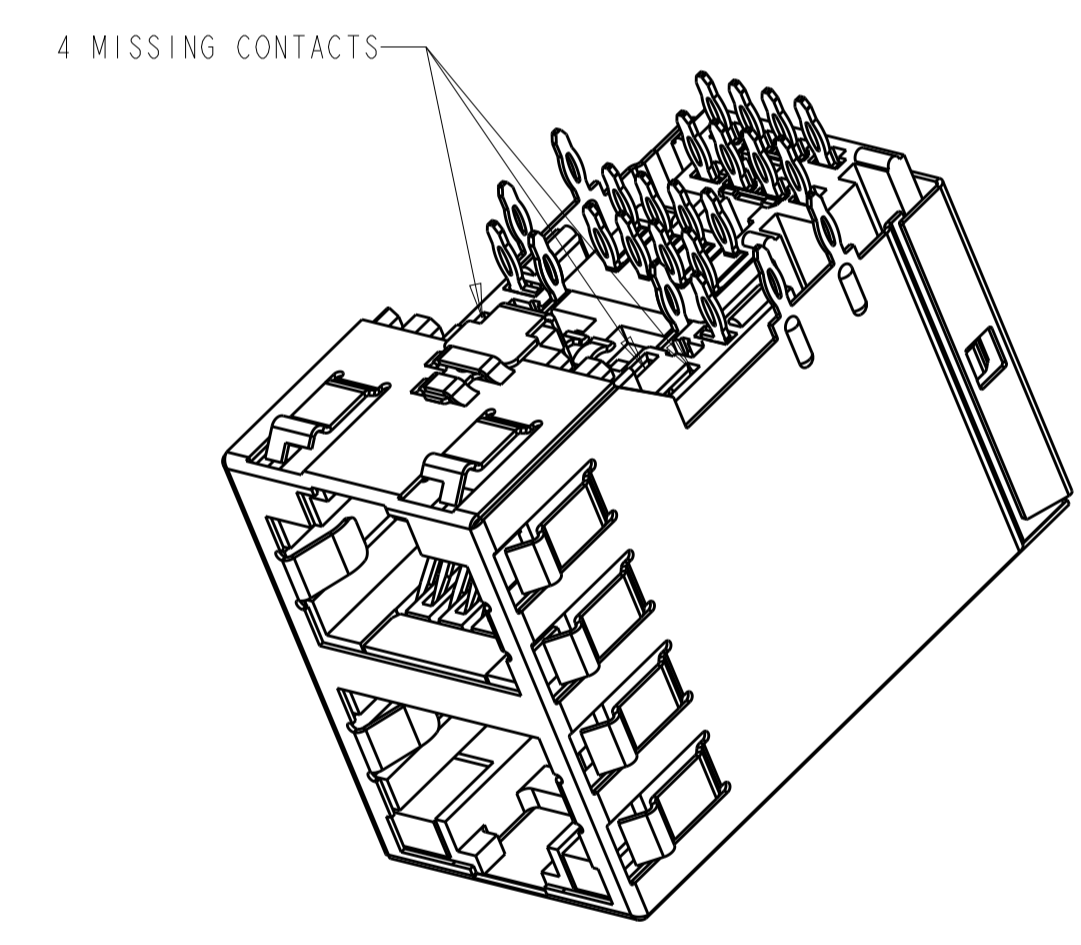
ATCA PANEL AND PRINTED CIRCUIT BOARD ASSEMBLY LAYOUT



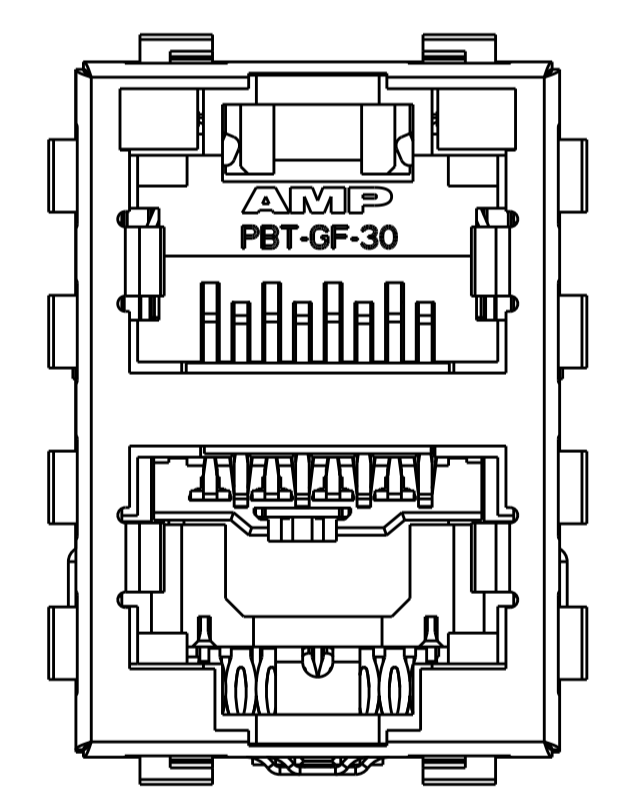
AMC PANEL AND PRINTED CIRCUIT BOARD ASSEMBLY LAYOUT



1888653-5,-6
 (REPRESENTATION OF -5,-6 SHOWN IN THIS VIEW ONLY)



1-1888653-1
 SCALE 3:1



1-1888653-1
 SCALE 4:1

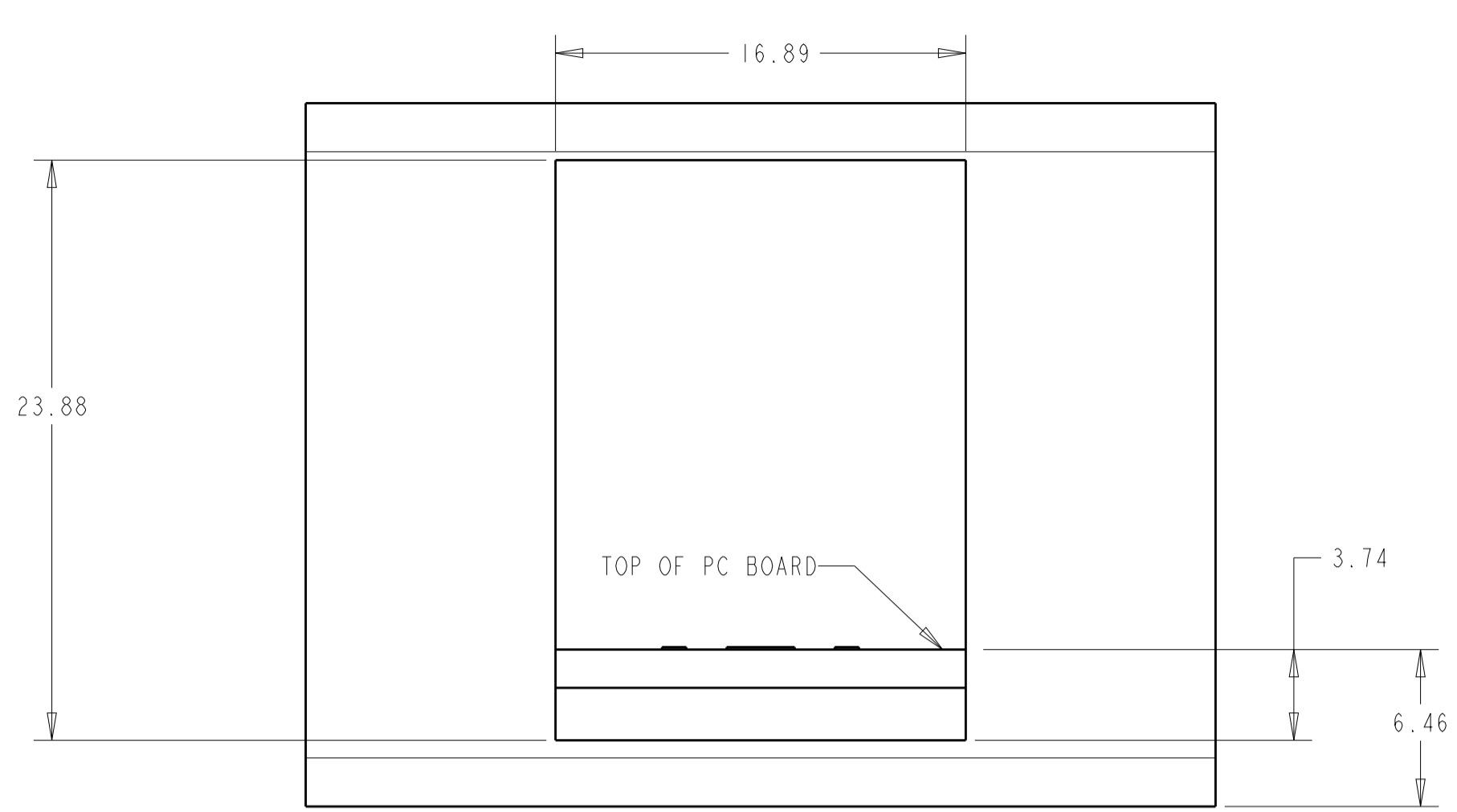
15.88	NONE	GREEN/YELLOW	GREEN/YELLOW	NONE	WITH GROUND CLIP	1-1888653-1
15.88	NONE	GREEN	YELLOW	NONE	WITH GROUND CLIP	1888653-9
15.88	YELLOW	GREEN	GREEN	GREEN	WITH GROUND CLIP	1888653-7
15.88	NONE	GREEN	GREEN	NONE	WITH GROUND CLIP	1888653-6
15.88	NONE	YELLOW	GREEN	NONE	WITH GROUND CLIP	1888653-5
15.88	YELLOW	YELLOW	GREEN	GREEN	WITH GROUND CLIP	1888653-4
15.88	GREEN	GREEN	YELLOW	YELLOW	WITH GROUND CLIP	1888653-3 (SHOWN)
15.88	GREEN	GREEN	GREEN	GREEN	WITH GROUND CLIP	1888653-2
16.13	GREEN	GREEN	GREEN	GREEN	WITHOUT GROUND CLIP	1888653-1
M DIM	LED #4 (LOWER-RIGHT)	LED #3 (UPPER-RIGHT)	LED #2 (UPPER-LEFT)	LED #1 (LOWER-LEFT)	DESCRIPTION	PART NUMBER

THIS DRAWING IS A CONTROLLED DOCUMENT.

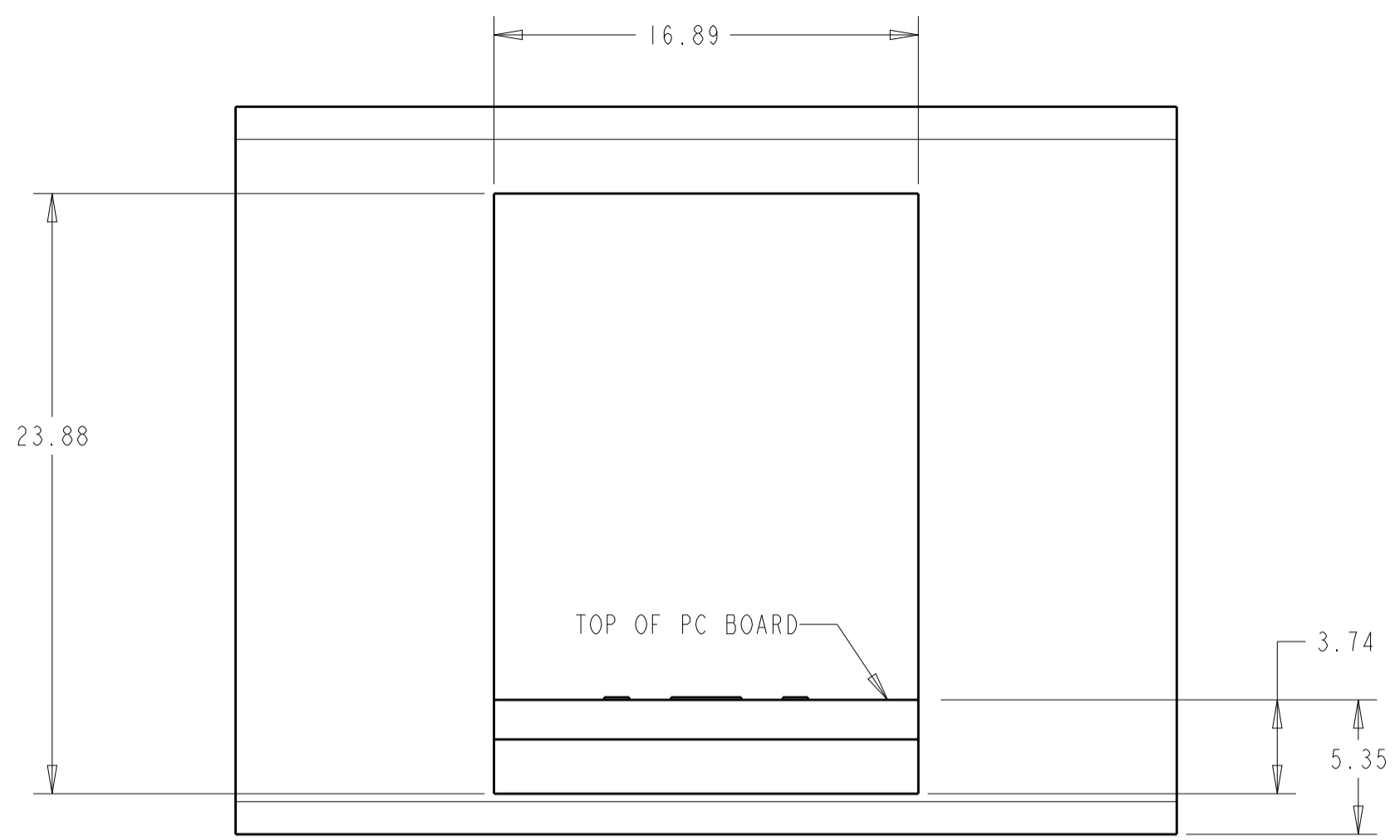
DIMENSIONS:	TOLERANCES UNLESS OTHERWISE SPECIFIED:	OWN	19OCT2006
mm	0 PLC ±	L.A.MAYER	19OCT2006
	1 PLC ±0.13	J.WESTMAN	19OCT2006
	2 PLC ±	S.FLICKINGER	19OCT2006
	3 PLC ±	NAME	STACKED MOD JACK ASSEMBLY, 2 X 1, 8 POSN, RJ45, SHIELDED, PANEL GROUND, OFFSET, CAT 5e
	4 PLC ±	PRODUCT SPEC	108-1854
	ANGLES ±	APPLICATION SPEC	114-2160
MATERIAL	FINISH	SIZE	CAGE CODE DRAWING NO
SEE NOTE 1		A1	00779
		WEIGHT	RESTRICTED TO
		CUSTOMER DRAWING	SCALE 4:1 SHEET 1 OF 2 REV K

STE TE Connectivity

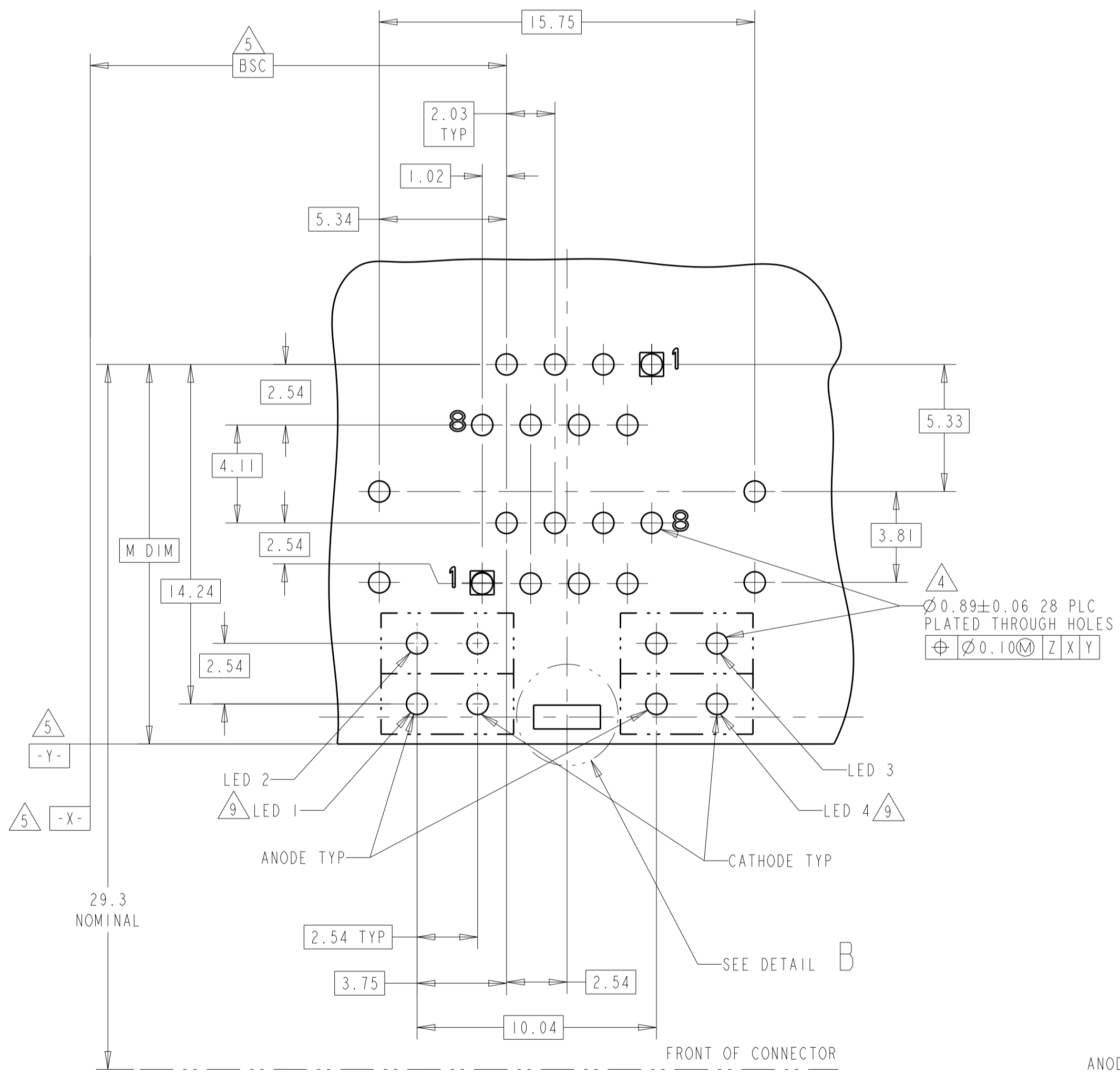
LOC		DIST		REVISIONS			
P	LTN	DESCRIPTION	DATE	DWN	APVD		
-	-	SEE SHEET 1	-	-	-	-	-



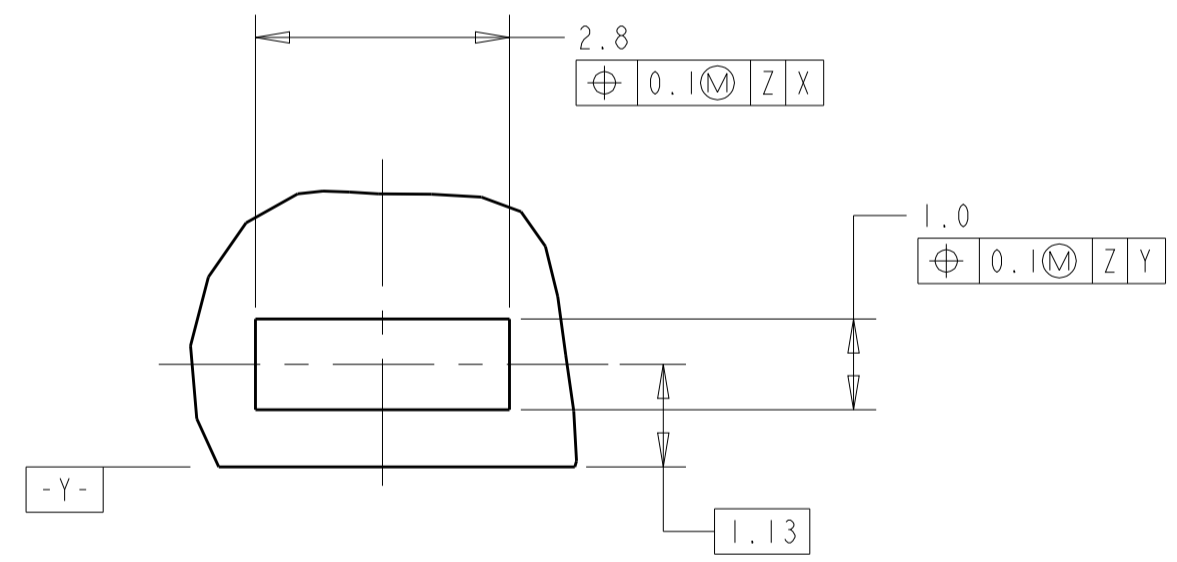
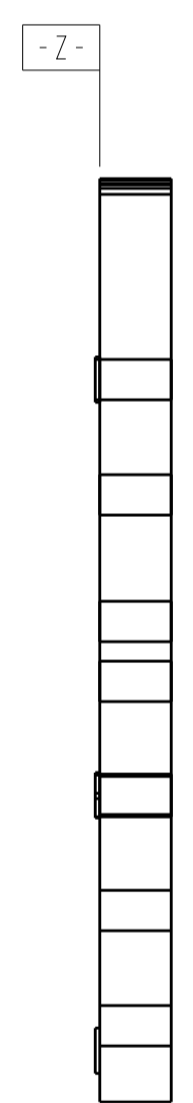
ATCA PANEL AND PRINTED CIRCUIT BOARD LAYOUT



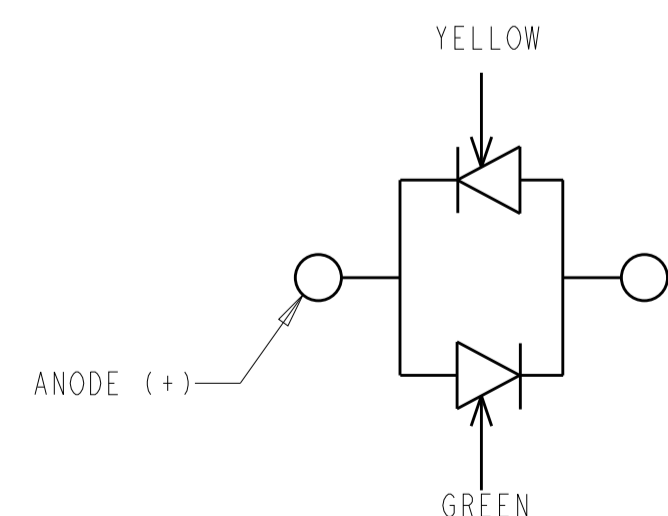
AMC PANEL AND PRINTED CIRCUIT BOARD LAYOUT



PC BOARD LAYOUT (COMPONENT SIDE)



DETAIL B
 SCALE 12:1
 PLATED PADS REQUIRED FOR 1888653 -2, -3, -4, -5, -6 & -7 (PRODUCT WITH GROUNDING CLIPS)



LED CURRENT DIAGRAM FOR 1-1888653-1

THIS DRAWING IS A CONTROLLED DOCUMENT.		DWN	L.A.MAYER	19OCT2006	TE Connectivity
DIMENSIONS:		CHK	J.WESTMAN	19OCT2006	
mm	TOLERANCES UNLESS OTHERWISE SPECIFIED:	APVD	S.FLICKINGER	19OCT2006	NAME
0 PLC ± 1 PLC ±0.13 2 PLC ± 3 PLC ± 4 PLC ± ANGLES ±1° FINISH	0 PLC ± 1 PLC ±0.13 2 PLC ± 3 PLC ± 4 PLC ± ANGLES ±1° FINISH	PRODUCT SPEC 108-1854		STACKED MOD JACK ASSEMBLY, 2 X 1, 8 POSN, RJ45, SHIELDED, PANEL GROUND, OFFSET, CAT 5e	
MATERIAL SEE NOTE 1		WEIGHT	114-2160	SIZE	CAGE CODE DRAWING NO
				A1	00779 ©=1888653
		CUSTOMER DRAWING		SCALE	6:1
				SHEET	2 OF 2
				REV	K

Mouser Electronics

Authorized Distributor

Click to View Pricing, Inventory, Delivery & Lifecycle Information:

[TE Connectivity:](#)

[1888653-3](#)