

Wire diameter: 8.5 - 14mm

HARTING part no.



approx. 50

10

U_{max} = 30V DC
I_{max} = 2A/signal
I_Σ = 9A



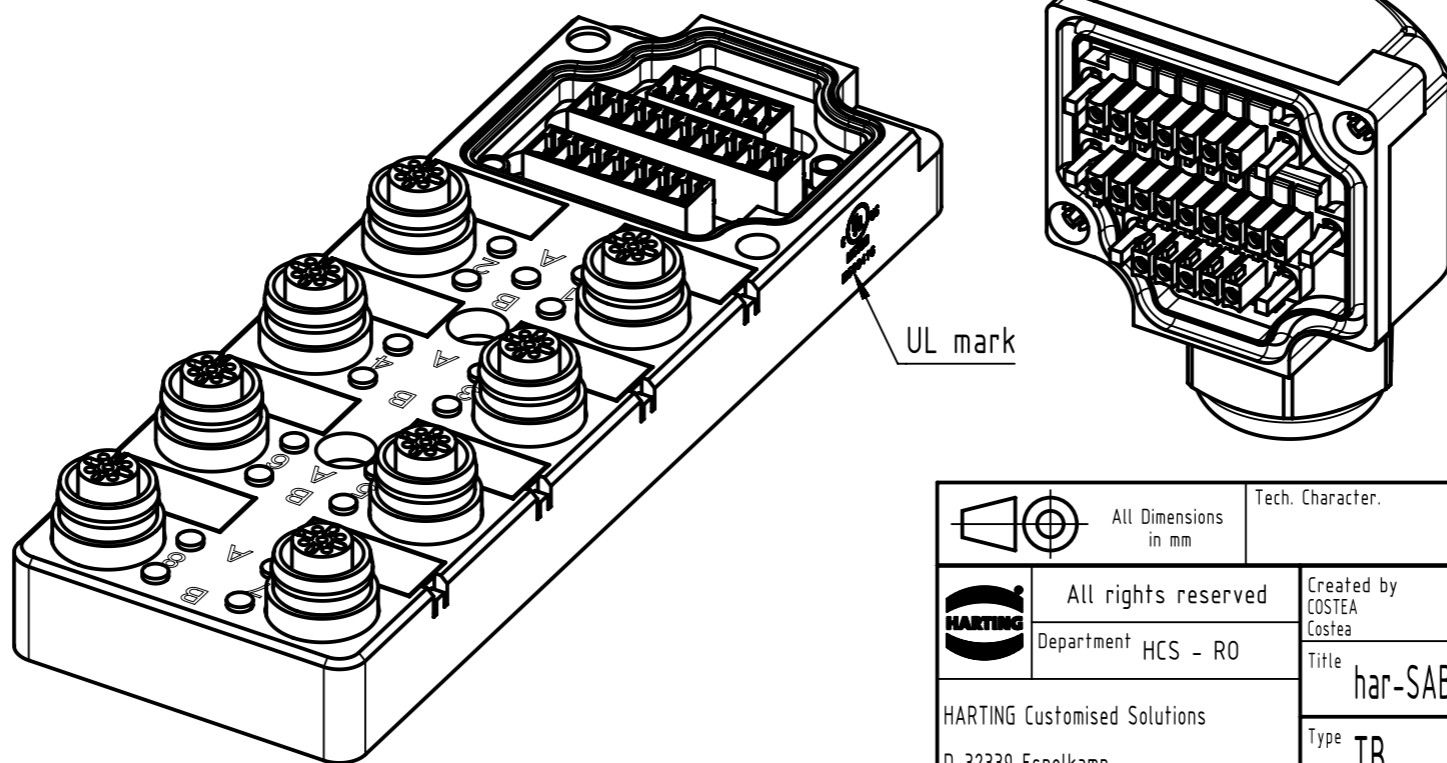
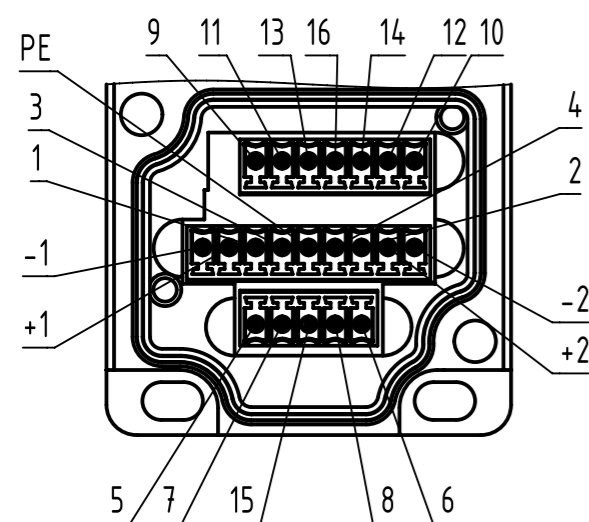
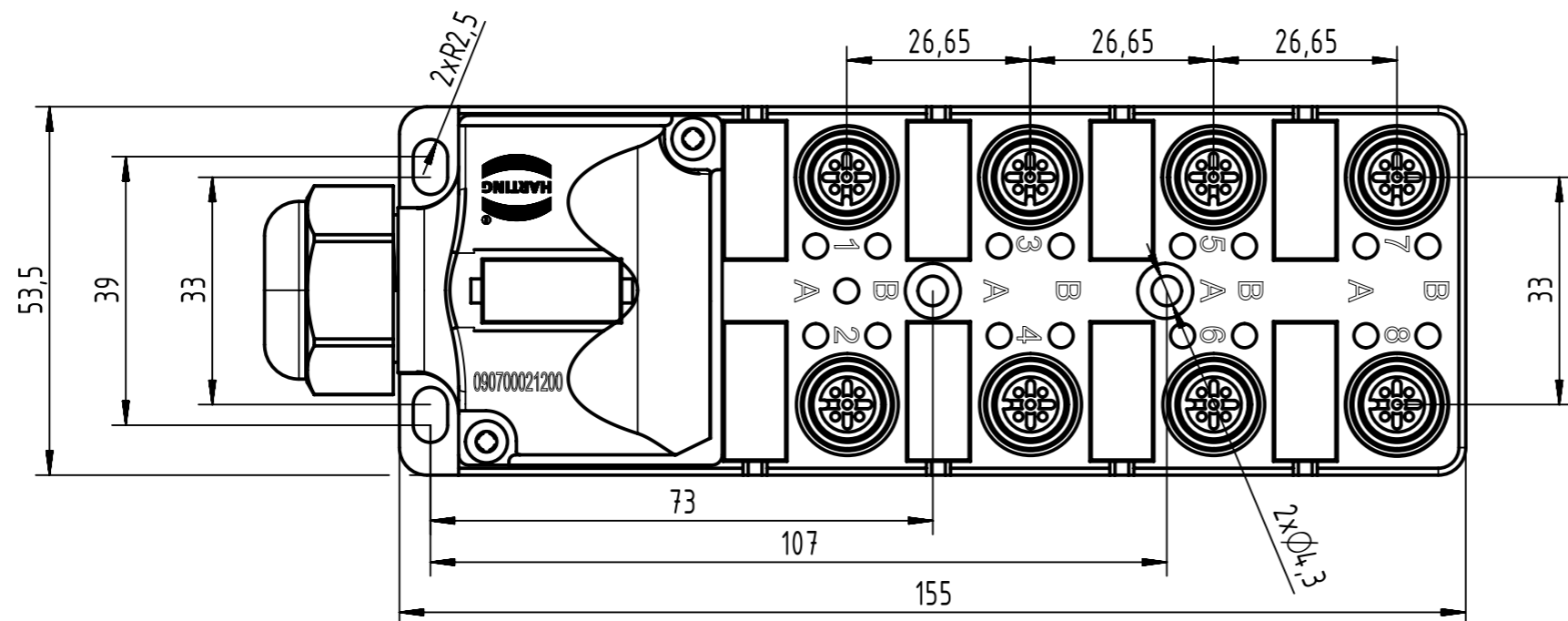
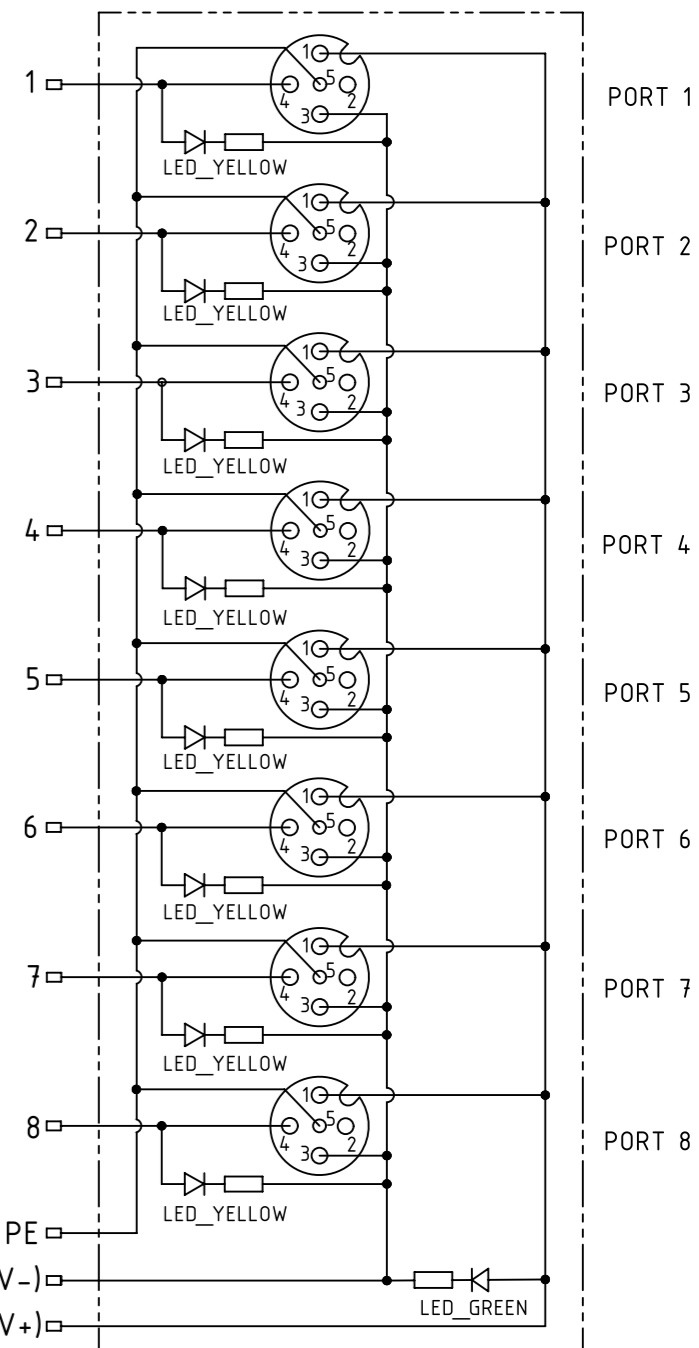
1 1 2 2 3 3 4 4 5 5 6 6 7 7 8 8 1-8 1-8 1-8 M12 port M12 contact Hood contact
1 N/C 2 N/C 3 N/C 4 N/C 5 N/C 6 N/C 7 N/C 8 N/C +1/+2(V+) -1/-2(V-) PE

1 = V+
2 = N/C
3 = V-
4 = signal A
5 = PE

16

27,3

Loading plan



- Protection level: IP67
- Temperature range: -25°C ... +85°C

	All Dimensions in mm	Tech. Character.	Free size tol.	According to production drawing	
	All rights reserved Department HCS - RO	Created by COSTEA Costea	Inspected by 402676 Gross	Standardisation MUNTEANV Muntean	Date 2020-04-14
HARTING Customised Solutions D-32339 Espelkamp				Title har-SAB M12/8/4p PC	
Type TB			Number 090700021200		Doc-Key / ECM-Nr. 100831536/UGD/000/C 500000171204
Rev. C					Page 1/1