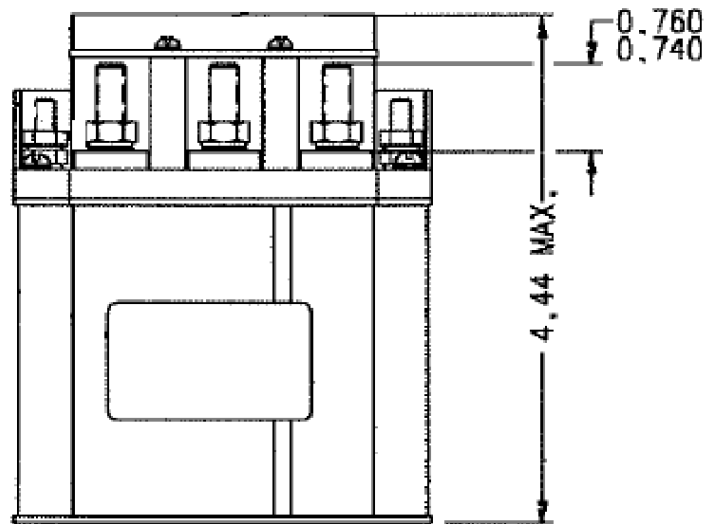
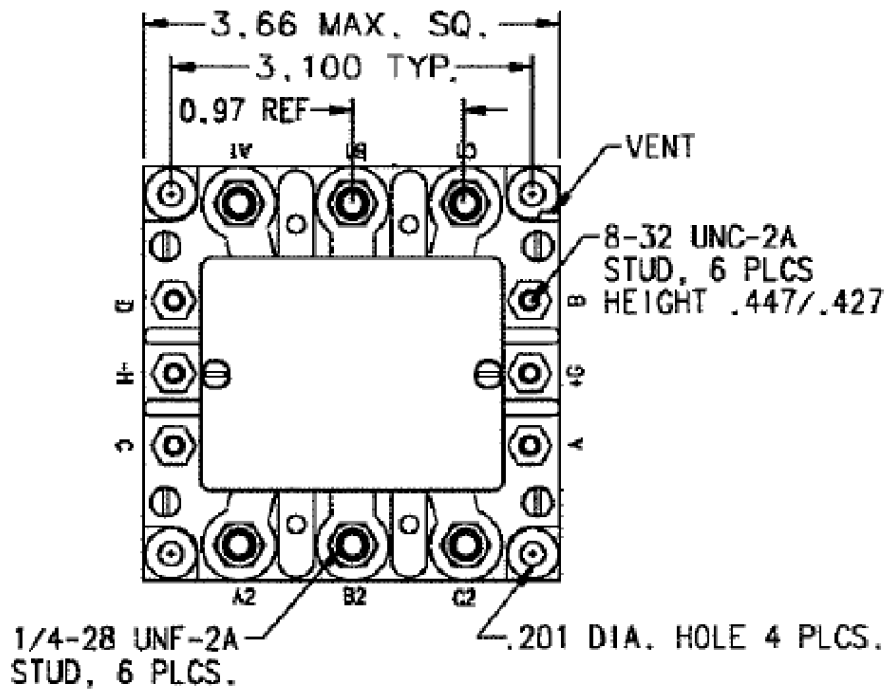


REVISIONS

REV.	ECO	DESCRIPTION	DATE	APPROVED
J	0349-03	ITEM 3 WAS N7038DB0	21MAR2003	CC

SA136A  
 CONTACTOR-3PST N.O.  
 75 AMP,440 VAC, 400HZ



ALL DIMENSIONS ARE IN INCHES



TE CONNECTIVITY  
 175 N. DIAMOND STREET MANSFIELD,  
 OHIO 44902

TITLE

CONTACTOR-3PST N.O.  
 75 AMP,440 VAC, 400HZ

TE P.N.

1616021-6

DWG NO.

SA136A

DS DATA SHEET

CAGE CODE  
 74063

SCALE  
 NONE

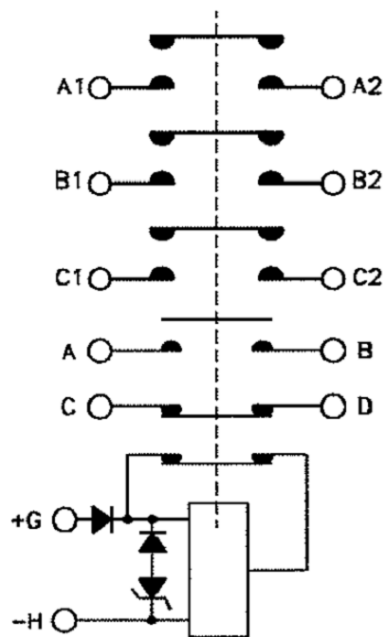
SHEET  
 1 OF 2

REV  
 J

## GENERAL SPECIFICATION

<b>CONSTRUCTION</b>	<b>GASKET SEALED AND VENTED</b>
<b>MAIN CONTACTS</b>	
CONFIGURATION	3PST N.O. DOUBLE BREAK
VOLTAGE (NOMINAL)	440 VAC 400 HZ
CURRENT RESISTIVE	75 AMPS
CURRENT INDUCTIVE	75 AMPS
<b>AUXILIARY CONTACTS</b>	
CONFIGURATION	1 SPST NO, 1 SPST NC
VOLTAGE	28 VDC OR 115/230 VAC 60/400 HZ
CURRENT RESISTIVE	5 AMPS
CURRENT INDUCTIVE	3 AMPS
CURRENT LAMP	2 AMPS
<b>COIL DATA</b>	
DUTY CYCLE	CONTINUOUS (ECONOMIZING)
NOMINAL VOLTAGE	28 VDC
MAX. VOLTAGE	32 VDC
TRANSIENT SUPPRESSION	±45 VDC
PICKUP VOLTAGE	18 VDC MAX
DROPOUT VOLTAGE	1.0-7.0 VDC
COIL RESISTANCE AT 25°C	12 OHMS MINIMUM PICKUP 60 OHMS MAXIMUM HOLD
<b>OPERATE TIMES</b>	
PICK UP	50 mSEC. MAX. AT 28 VDC
DROP OUT	35 mSEC. MAX. AT 28 VDC
<b>ENVIRONMENTAL</b>	
OPERATING TEMPERATURE	-0°C TO +65°C
ALTITUDE OPERATING	8,000 FEET
VIBRATION	10 G'S OR .06 DA 10 TO 500 HERTZ
SHOCK	50 G'S FOR 11 mSEC (NON-OPERATING)
<b>LIFE</b>	
ELECTRICAL	50,000 CYCLES MINIMUM
MECHANICAL	100,000 CYCLES MINIMUM
<b>WEIGHT</b>	3.0 POUNDS MAXIMUM

## SCHEMATIC



TE CONNECTIVITY  
175 N. DIAMOND STREET MANSFIELD,  
OHIO 44902

TITLE

CONTACTOR-3PST N.O.  
75 AMP, 440 VAC, 400HZ

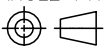
TE P.N.

1616021-6

DWG NO.

SA136A

THIRD ANGLE PROJECTION



THIS DRAWING PREPARED  
IN ACCORDANCE WITH  
ANSI/ASMEY14.5M-1982

CAGE CODE

74063

SCALE

NONE

SHEET

2 OF 2

REV

J