

1

2

REVISIONS					
P	LTN	DESCRIPTION	DATE	OWN	APVD
D1		REVISED PER ECR-11-005150	21MAR11	RK	HMR
D2		PNs OUT OF MOLD TOOL FOR TE CHINA ADDED	25NOV2021	YP	MR

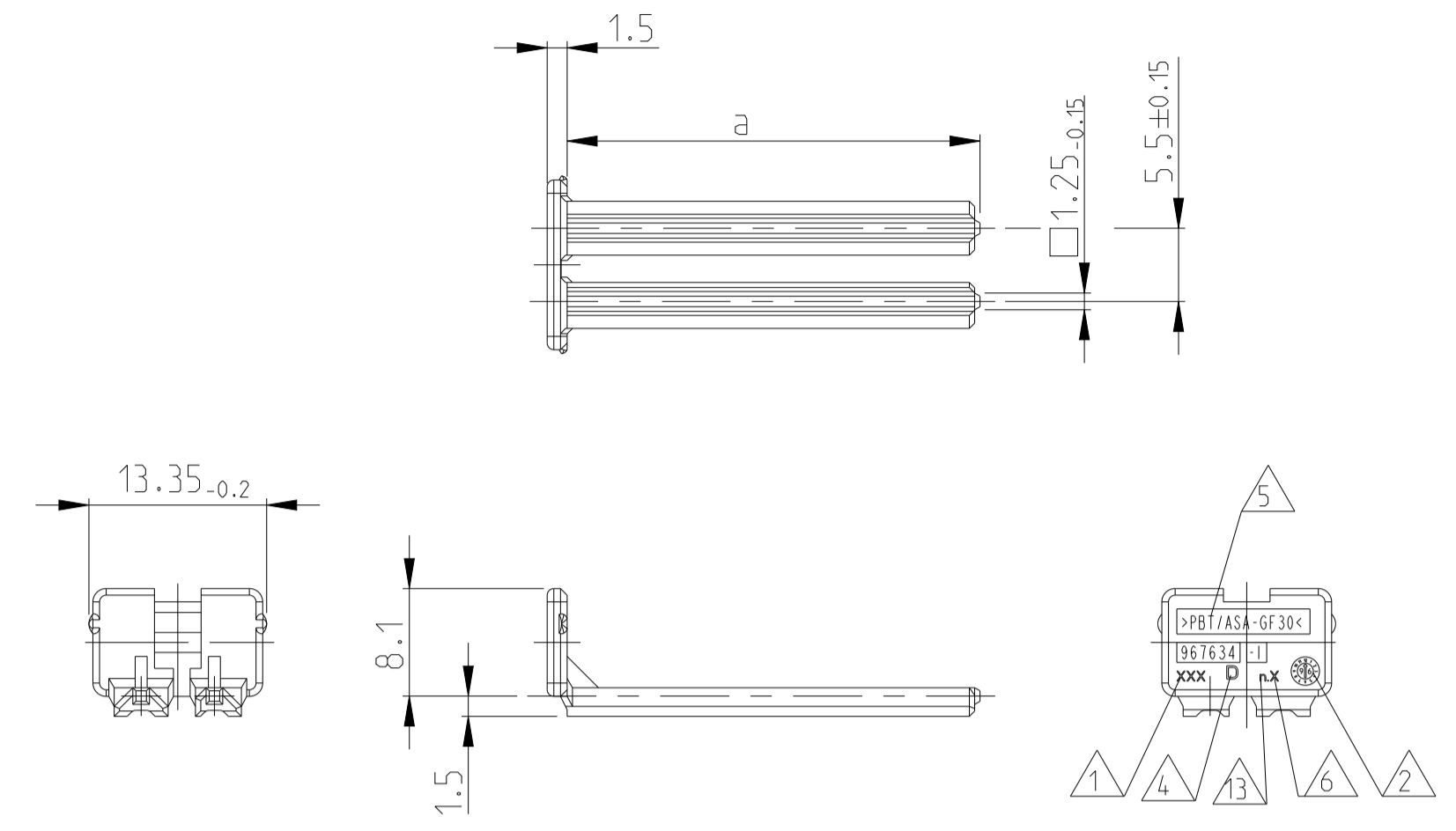
	10.1g	6	30	36.2	21	36	0.7g
	9.1g	5	25	31.2	18	31	0.65g
	7.6g	4	20	26.2	15	26	0.55g
	6.5g	3	15	21.2	12	21	0.5g
	5.1g	2	10	16.2	9	16	0.4g
	3.9g	1	5	11.2	6	11	0.35g

CODING A : CAVITY NUMBERING (CAVITIES ONLY SYMBOL)  
Kodierung A : Kammerbezeichnung (Kammern nur symbol, dargestellt)

WEIGHT / Gewicht: n, b ±0.2, c ±0.15 / -0.25

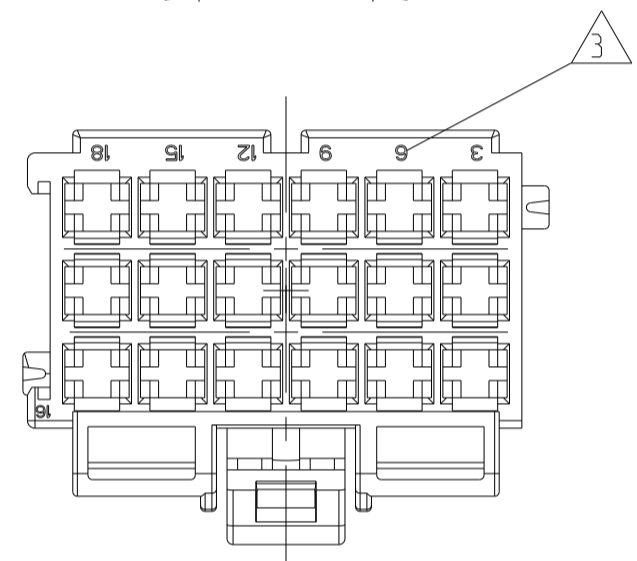
POSITIONS / Polzahl: a ±0.15

WEIGHT / Gewicht



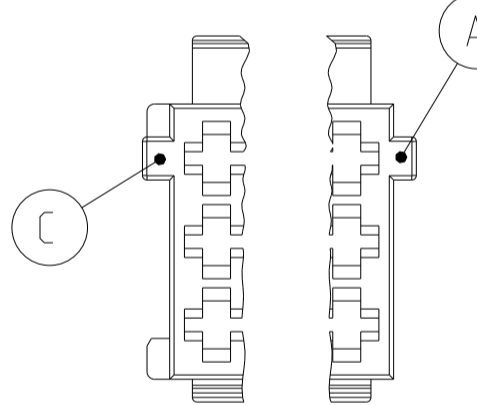
967634-1 AS SHOWN wie gezeichnet

1-967624-....  
MECHANICAL CODING A  
Mechanische Kodierung A  
(RIBS B-C) AS SHOWN  
(Rippen B-C) wie gezeichnet

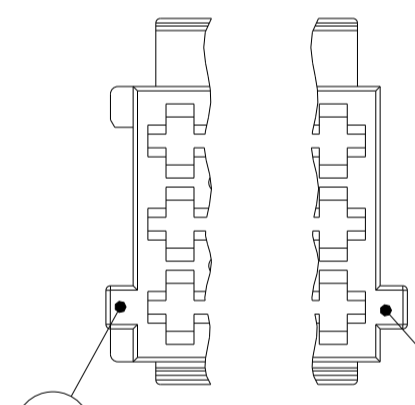


- NOTES:
- 1 TE CONNECTIVITY LOGO, SINLGE PART No. / TE CONNECTIVITY LOGO, Bestell-Nr Einzelteil.
  - 2 PRODUCTION-DATE / Produktionsdatum
  - 3 CAVITY-MARKING / Kammerbezeichnung
  - 4 THE REVISION STATUS OF THE MOULD / Aenderungszustand des Werkzeuges
  - 5 MATERIAL-MARKING ACC. TO VDA 260 / Werkstoffkennzeichnung nach VDA 260
  - 6 MOULD CAVITY-MARKING / Nestmarkierung
  - 7 WARPAGE TO 11.3mm PERMITTED / Verzug bis 11.3mm zulaessig
  - 8 DIMENSION RESP WEIGHT OF SECOND LOCKING DEVICE / Mass bzw. Gewicht der zweiten Kontaktsicherung

- 9 PACKAGING: LOOSE PIECE IN CORRUGATED BOX FOR BOTH PARTS. / Verpackung: Beide Teile werden lose im Karton geliefert.
- 10 WARPAGE TO 16mm PERMITTED / Verzug bis 16mm zulaessig
- 11 CAVITIES MATING WITH JUNIOR POWER TIMER CONTACT (WITHOUT SINGLE WIRE SEAL) MAX. WIRE SIZE 2.5mm² FLR - SEE DRAWING: 1355046 / Kontaktkammern passend fuer Junior Power Timer Kontakte (ohne Einzel- Dichtungs- System) max. Drahtgroessenbereich 2.5mm² FLR - siehe Zeichnung: TE CONNECTIVITY-No.: 1355046
- 12 MATED WITH / passend zu: SEE DRAWINGS / s. Zeichnungen. -1355072 (TAB HOUSINGS / Flachsteckergehaeuse) -966140 (TAB HEADER / Messerleisten) -114-18085-025 (INTERFACE DRAWING / Ausf.vorschrift)
- 13 TOOL-NUMERATION / Werkzeugnummerierung
- 14 ORDER NO FOR PARTS IN TE CHINA



2-....  
MECHANICAL CODING B  
Mechanische Kodierung B  
(RIBS A-C) AS SHOWN  
(Rippen A-C) wie gezeichnet



3-....  
MECHANICAL CODING D  
Mechanische Kodierung D  
(RIBS B-D) AS SHOWN  
(Rippen B-D) wie gezeichnet

CODING / Kodierung C		CODING / Kodierung B		CODING / Kodierung A												MECHANICAL CODING																																															
RIBS / Rippen: B-D		RIBS / Rippen: A-C		RIBS / Rippen: B-C												Mechanische Kodierung																																															
967635-1	D 2	21 POS. polig	CLAY BROWN	-	-	-	-	-	-	1-967625-6	C	GENTIAN BLUE	-	1-967625-5	C	RAPE YELLOW	-	1-967625-4	C	YELLOW GREEN	-	1-967625-3	C	TRAFFIC PURPLE	-	1-967625-2	C	SLATE GREY	-	1-967625-1	C	CLAY BROWN	1	21 POS. polig																													
967634-1	D 2	18 POS. polig	SLATE GREY	3-967624-6	C	CLAY BROWN	2-967624-6	C	CLAY BROWN	1-967624-6	C	CLAY BROWN	-	1-967624-5	C	GENTIAN BLUE	-	1-967624-4	C	RAPE YELLOW	-	1-967624-3	C	YELLOW GREEN	-	1-967624-2	C	TRAFFIC PURPLE	-	1-967624-1	C	SLATE GREY	1	18 POS. polig																													
967633-1	D 2	15 POS. polig	TRAFFIC PURPLE	-	-	-	2-967624-3	C	RAPE YELLOW	1-967623-6	C	SLATE GREY	-	1-967623-5	C	CLAY BROWN	-	1-967623-4	C	GENTIAN BLUE	-	1-967623-3	C	RAPE YELLOW	-	1-967623-2	C	YELLOW GREEN	-	1-967623-1	C	TRAFFIC PURPLE	1	15 POS. polig																													
967632-1	D 2	12 POS. polig	YELLOW GREEN	-	-	-	-	-	-	1-967622-6	C	TRAFFIC PURPLE	-	1-967622-5	C	SLATE GREY	-	1-967622-4	C	CLAY BROWN	-	1-967622-3	C	GENTIAN BLUE	-	1-967622-2	C	RAPE YELLOW	-	1-967622-1	C	YELLOW GREEN	1	12 POS. polig																													
967631-1	D 2	9 POS. polig	RAPE YELLOW	-	-	-	-	-	-	1-967621-6	C	YELLOW GREEN	-	1-967621-5	C	TRAFFIC PURPLE	-	1-967621-4	C	SLATE GREY	-	1-967621-3	C	CLAY BROWN	-	1-967621-2	C	CLAY BROWN	-	1-967621-1	C	RAPE YELLOW	1	9 POS. polig																													
968271-1	D 2	6 POS. polig	GENTIAN BLUE	-	-	-	-	-	1-965640-7	C	FLAME RED	-	1-965640-6	C	RAPE YELLOW	-	1-965640-5	C	YELLOW GREEN	-	1-965640-4	C	TRAFFIC PURPLE	-	1-965640-3	C	SLATE GREY	-	1-965640-2	C	CLAY BROWN	1	6 POS. polig																														
CUSTOMER PART No. / Kunden-Einzelteil				TE ORDER NO. / Bestell-Nr.				REV.				COLOR				CUSTOMER PART No. / Kunden-Einzelteil				TE ORDER NO. / Bestell-Nr.				REV.				COLOR				CUSTOMER PART No. / Kunden-Einzelteil				TE ORDER NO. / Bestell-Nr.				REV.				COLOR				CUSTOMER PART No. / Kunden-Einzelteil				TE ORDER NO. / Bestell-Nr.				REV.				COLOR			

JUNIOR POWER TIMER HOUSING / Junior Power Timer Gehaeuse

THIS DRAWING IS A CONTROLLED DOCUMENT.

DIMENSIONS: mm

TOLERANCES UNLESS OTHERWISE SPECIFIED: 0-PLC ±0.1, 1-PLC ±0.1, 2-PLC ±0.1, 3-PLC ±0.1, 4-PLC ±0.1, ANGLES ±0.1

MATERIAL: SEE TABLE

FINISH: SEE TABLE

WEIGHT: -

CUSTOMER DRAWING

OWN: K. Gerlach 14. APR 98  
CHK: R. Huebner 14. APR 98  
APVD: J. Hase 14. APR 98

PRODUCT SPEC: 108-94780  
APPLICATION SPEC: VERARBEITUNGSSPEZ.

NAME: PRODUCT GROUP DRAWING FOR: JUNIOR POWER TIMER HSG. 6-21POS AND SECONDARY LOCKING DEVICE  
Produkt-Gruppen-Zeichnung fuer JPT-Gehauese, 6-21 polig und zweite Kontaktsicherung

SIZE: A1  
CAGE CODE: 00779  
DRAWING NO: C=1355071

RESTRICTED TO: -

SCALE: 2:1 SHEET: 1 OF 1 REV: 02

# Mouser Electronics

Authorized Distributor

Click to View Pricing, Inventory, Delivery & Lifecycle Information:

[TE Connectivity:](#)

[967634-1](#)