

PLEASE CHECK WWW.MOLEX.COM FOR LATEST PART INFORMATION

Part Number: [0511181605](#)
Status: **Active**
Description: 4.00mm Wire-to-Wire Terminal Position Assurance (TPA) Retainer, 16 Circuits

Documents:

[3D Model](#) [Application Specification AS-51115-001 \(PDF\)](#)
[Drawing \(PDF\)](#) [RoHS Certificate of Compliance \(PDF\)](#)
[Product Specification PS-51115-001 \(PDF\)](#)

General

Product Family	Accessories
Series	51118
Component Type	Terminal Position Assurance
Product Name	TPA - Term Pos Assurance
UPC	800754237024

Physical

Circuits (Loaded)	16
Color - Resin	Gray
Material - Resin	Polyester
Net Weight	773.000/mg
Packaging Type	Bag

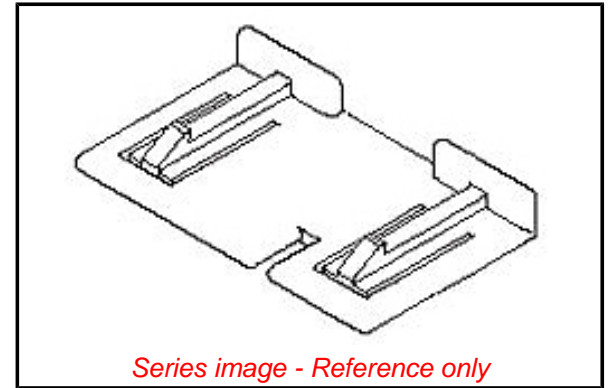
Solder Process Data

Lead-freeProcess Capability	N/A
-----------------------------	-----

Material Info

Reference - Drawing Numbers

Application Specification	AS-51115-001
Product Specification	PS-51115-001
Sales Drawing	SD-51118-**0*



EU ELV

Compliant

EU RoHS

Compliant

REACH SVHC

Contains SVHC(2015
June 15): No

Halogen-Free

Status

Not Reviewed

**Need more information on product
environmental compliance?**

Email productcompliance@molex.com
Please visit the [Contact Us](#) section for any
non-product compliance questions.

China ROHS

ELV

China RoHS

Green Image
Compliant

Search Parts in this Series

51118 Series

PLEASE CHECK WWW.MOLEX.COM FOR LATEST PART INFORMATION