

PLEASE CHECK WWW.MOLEX.COM FOR LATEST PART INFORMATION

Part Number: [0511171605](#)
Status: **Active**
Description: 4.00mm Wire-to-Wire Terminal Position Assurance (TPA) Retainer, 16 Circuits

Documents:

[3D Model](#) [Application Specification AS-51115-001 \(PDF\)](#)
[Drawing \(PDF\)](#) [RoHS Certificate of Compliance \(PDF\)](#)
[Product Specification PS-51115-001 \(PDF\)](#)

General

Product Family	Accessories
Series	51117
Component Type	Terminal Position Assurance
Product Name	TPA - Term Pos Assurance
UPC	800754367738

Physical

Circuits (Loaded)	16
Color - Resin	Gray
Material - Resin	Polyester
Net Weight	933.000/mg
Packaging Type	Bag

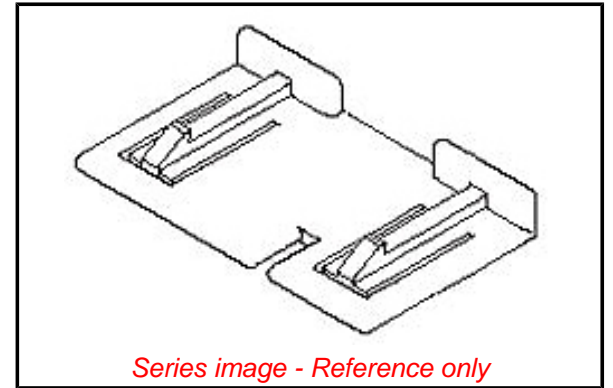
Solder Process Data

Lead-freeProcess Capability	N/A
-----------------------------	-----

Material Info

Reference - Drawing Numbers

Application Specification	AS-51115-001
Product Specification	PS-51115-001
Sales Drawing	SD-51117-**0*



EU ELV

Compliant

EU RoHS

Compliant

REACH SVHC

Yes -ED/39/2015 (15 June 2015)
 Acetamide, N-methyl-Dihexyl-phthalate dinoseb (ISO)
 Imidazolidine-2-thione furan
 C,C'-azodi(formamide) tricosafuorododecanoic acid
 heptacosafuorotetradecanoic acid
 Disodium 3,3'-[[1,1'-Biphenyl]-4,4'-Diylbis(Azo) methoxyacetic acid
 1,2-diethoxyethane
 C.I. Direct Black 38
 henicosafluoroundecanoic acid
 sodium peroxometaborate
 pentacosafuorotridecanoic acid
 3-ethyl-2-methyl-2-(3-methylbutyl)-1,3-oxazolidi
 Disodium tetraborate
 Boric acid
 Trixylyl phosphate
 4-(1,1,3,3-tetramethylbutyl)phenol, ethoxylated
 Methylhexahydrophthalic anhydride
 Sodium perborate; perboric acid, sodium salt

China RoHS

Lead di(acetate)
Silicic acid (H₂Si₂O₅),
barium salt (1:1),
lead-
Cadmium-sulphide
Trichloroethylene
1,2,3-
Trichloropropane
1,2-dichloroethane
1-bromopropane
Dibutyltin-dichloride
4,4'-
Methylenedianiline
Tris(2-chloroethyl)
phosphate
Boric acid, disodium
salt, hydrate
formamide
4,4'-
bis(dimethylamino)benzophenone
N,N,N',N'-
tetramethyl-4,4'-
methylenedianiline
1,2-bis(2-
methoxyethoxy)ethane
[4-[4,4'-
Bis(dimethylamino)benzhydrylidene]cyclo
4,4'-
bis(dimethylamino)-4''-
(methylamino)trityl
Diboron-trioxide
[4-[[4-Anilino-1-
naphthyl]]4-
(dimethylamino)phen
#,#-Bis[4-
(dimethylamino)phenyl]-4
(phenylamino)
diethyl sulphate
propylene oxide

Halogen-Free

Status

Not Relevant

**Need more information on product
environmental compliance?**

Email productcompliance@molex.com
Please visit the [Contact Us](#) section for any
non-product compliance questions.

China ROHS

Not Relevant

ELV

Compliant

Search Parts in this Series
51117 Series

This document was generated on 12/04/2015

PLEASE CHECK WWW.MOLEX.COM FOR LATEST PART INFORMATION