

PLEASE CHECK WWW.MOLEX.COM FOR LATEST PART INFORMATION

Part Number: [0511161601](#)
Status: **Active**
Description: 4.00mm Pitch, OBD-II Wire-to-Wire Receptacle Housing, Flange Mount, 16 Circuits

Documents:

3D Model	Product Specification PS-51115-001 (PDF)
3D Model (PDF)	Application Specification AS-51115-001-007 (PDF)
Drawing (PDF)	RoHS Certificate of Compliance (PDF)

General

Product Family	Crimp Housings
Series	51116
Application	Power, Wire-to-Wire
Product Name	OBD-II
UPC	800754236980

Physical

Circuits (maximum)	16
Color - Resin	Black
Gender	Receptacle
Glow-Wire Capable	No
Keying to Mating Part	None
Lock to Mating Part	Yes
Material - Resin	Polyester
Net Weight	10474.200/mg
Number of Rows	2
Packaging Type	Bag
Panel Mount	No
Pitch - Mating Interface	4.00mm
Stackable	No
Temperature Range - Operating	-40° to +85°C

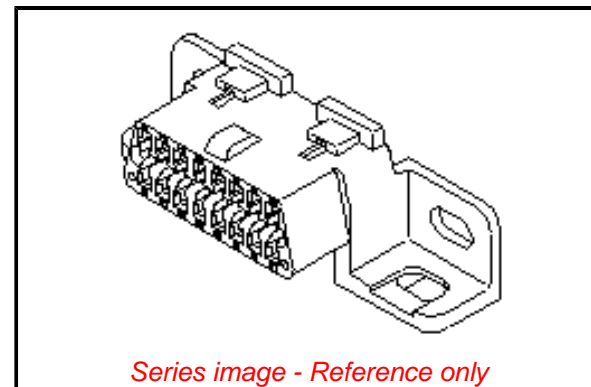
Solder Process Data

Lead-freeProcess Capability	N/A
-----------------------------	-----

Material Info

Reference - Drawing Numbers

Application Specification	AS-51115-001-007
Product Specification	PS-51115-001
Sales Drawing	SD-51116-XX0X



EU ELV

Compliant

EU RoHS

Compliant

REACH SVHC

Not Contained Per -
D(2020)4578-DC (25
June 2020)

Halogen-Free

Status

Not Low-Halogen

For more information, please visit [Contact US](#)

China ROHS

ELV

RoHS Phthalates

China RoHS

Green Image

Compliant

Not Contained

Search Parts in this Series

[51116 Series](#)

Mates With

OBD-II Male Housing [685031602](#)

Use With

[50420](#) , [51118](#)