

**PLEASE CHECK WWW.MOLEX.COM FOR LATEST PART INFORMATION**

**Part Number:** **0505988000**  
**Status:** **Active**  
**Description:** CP-6.5 3.96mm and 6.50mm Pitch Wire-to-Wire and Wire-to-Board Crimp Terminal, Female, 20-26 AWG, Reel

**Documents:**

[Drawing \(PDF\)](#) [Product Specification PS-51142-003 \(PDF\)](#)  
[Product Specification PS-51138-002 \(PDF\)](#) [RoHS Certificate of Compliance \(PDF\)](#)  
[Product Specification PS-51142-002-001 \(PDF\)](#)

**General**

Product Family	Crimp Terminals
Series	<u>50598</u>
Application	Power
Crimp Quality Equipment	Yes
Packaging Alternative	<u>50598-8100</u> (Loose)
Product Name	CP-6.5
UPC	800753366572

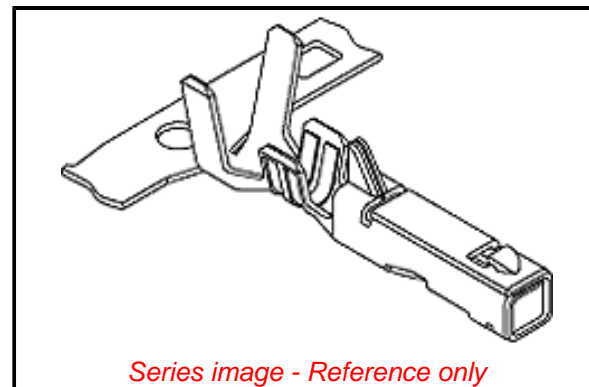
**Physical**

Gender	Female
Material - Metal	Copper
Material - Plating Mating	Tin
Material - Plating Termination	Tin
Net Weight	246.300/mg
Packaging Type	Reel
Termination Interface: Style	Crimp or Compression
Wire Insulation Diameter	1.20-2.35mm
Wire Size AWG	20, 22, 24, 26
Wire Size mm <sup>2</sup>	N/A

**Material Info**

**Reference - Drawing Numbers**

Product Specification	PS-51138-002, PS-51142-002-001, PS-51142-003
Sales Drawing	SD-50598-8*00



*Series image - Reference only*

**EU ELV**

**Not Relevant**

**EU RoHS**

**Compliant**

**REACH SVHC**

Not Contained Per -  
ED/21/2016 (20 June  
2016)

**Halogen-Free**

**Status**

**Low-Halogen**

**Need more information on product environmental compliance?**

Email [productcompliance@molex.com](mailto:productcompliance@molex.com)  
Please visit the [Contact Us](#) section for any non-product compliance questions.

China ROHS	Green Image
ELV	Not Relevant
RoHS Phthalates	Not Contained

**Search Parts in this Series**

50598 Series

**Mates With**

50599 Male Crimp Terminal, 50600 Male Crimp Terminal 20-26 AWG

**Use With**

51138 , 51142 , CP-6.5 Receptacle Housing 151049