

PLEASE CHECK WWW.MOLEX.COM FOR LATEST PART INFORMATION

Part Number: [0505359001](#)
Status: **Active**
Description: 2.50mm / 3.00mm Pitch Wire-to-Board Female Crimp Terminal, 16-18 AWG, Reel

Documents:

[Drawing \(PDF\)](#) [RoHS Certificate of Compliance \(PDF\)](#)
[Product Specification PS-51128-003-001 \(PDF\)](#)

General

Product Family	Crimp Terminals
Series	50535
Application	Power
Crimp Quality Equipment	Yes
Product Name	N/A
UPC	800753575875

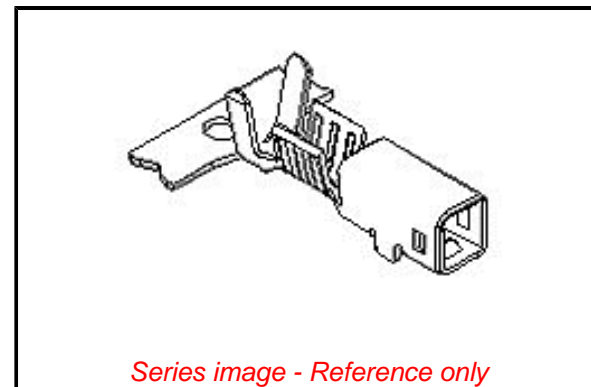
Physical

Gender	Female
Material - Metal	Brass
Material - Plating Mating	Tin
Material - Plating Termination	Tin
Net Weight	135.000/mg
Packaging Type	Reel
Plating min - Mating	0.889µm
Plating min - Termination	0.889µm
Termination Interface: Style	Crimp or Compression
Wire Insulation Diameter	2.00-2.45mm
Wire Size AWG	16, 18
Wire Size mm ²	N/A

Material Info

Reference - Drawing Numbers

Crimp Specification	CS-50535-001-001
Product Specification	PS-51128-003-001
Sales Drawing	SD-50535-9*01



EU ELV

Not Relevant

EU RoHS

Compliant

REACH SVHC

Not Contained Per -
ED/21/2016 (20 June
2016)

Halogen-Free

Status

Low-Halogen

**Need more information on product
environmental compliance?**

Email productcompliance@molex.com
Please visit the [Contact Us](#) section for any
non-product compliance questions.

China ROHS	Green Image
ELV	Not Relevant
RoHS Phthalates	Not Contained

Search Parts in this Series

[50535 Series](#)

Use With

[51128-1601](#)