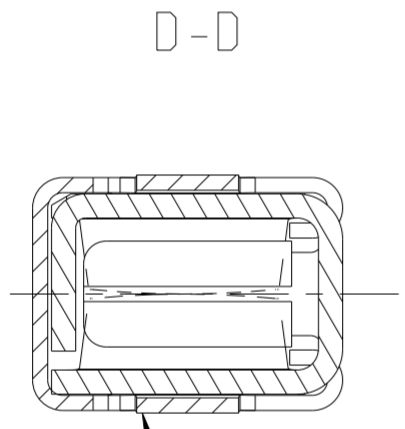
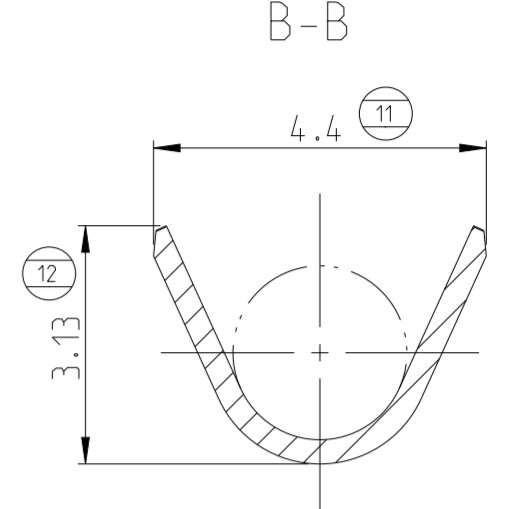
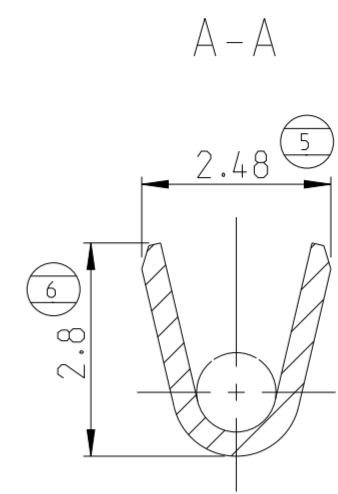
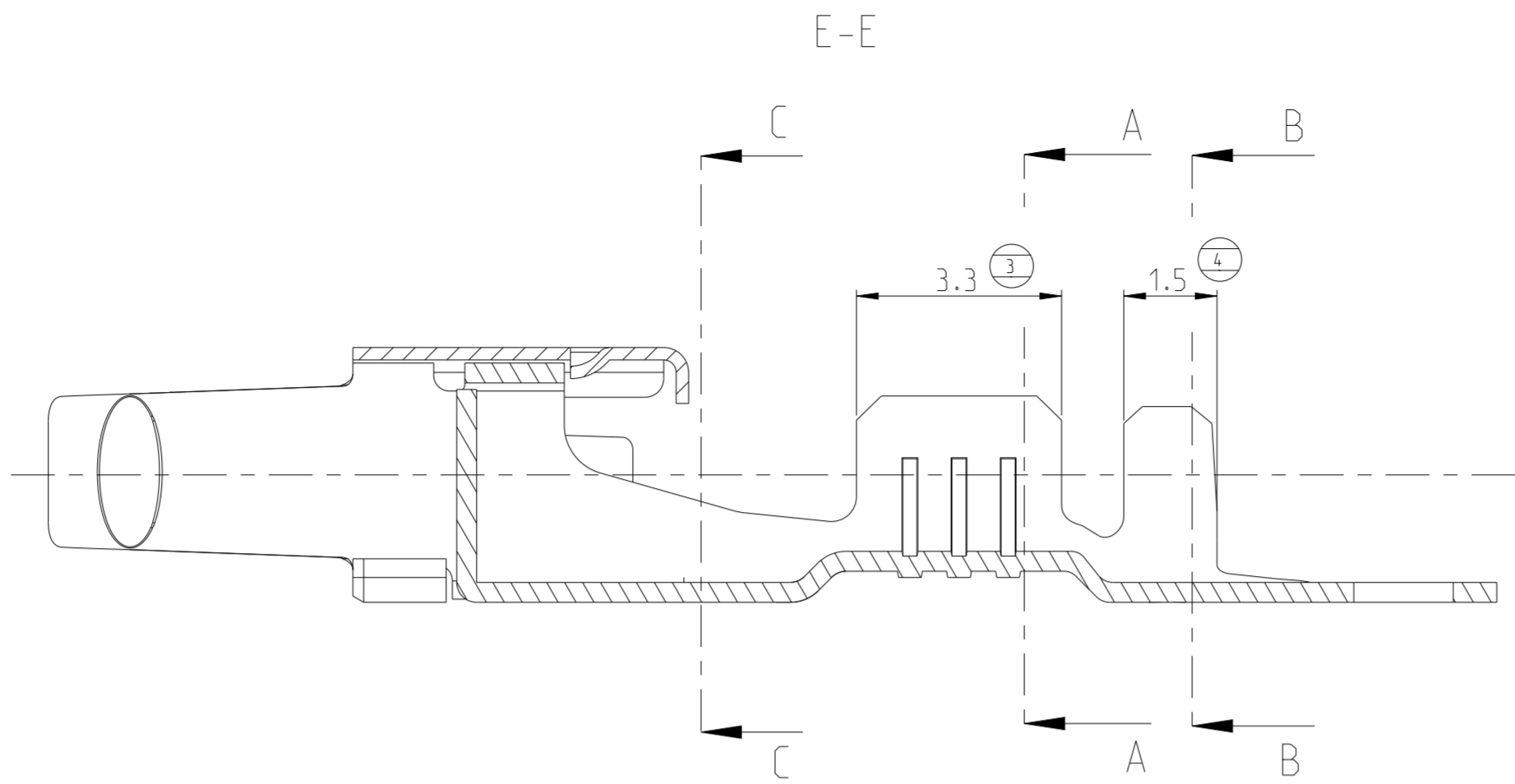
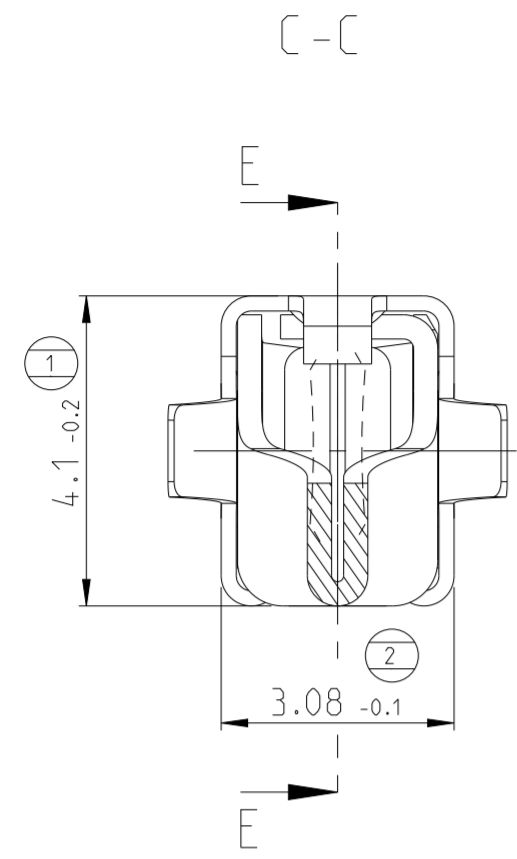
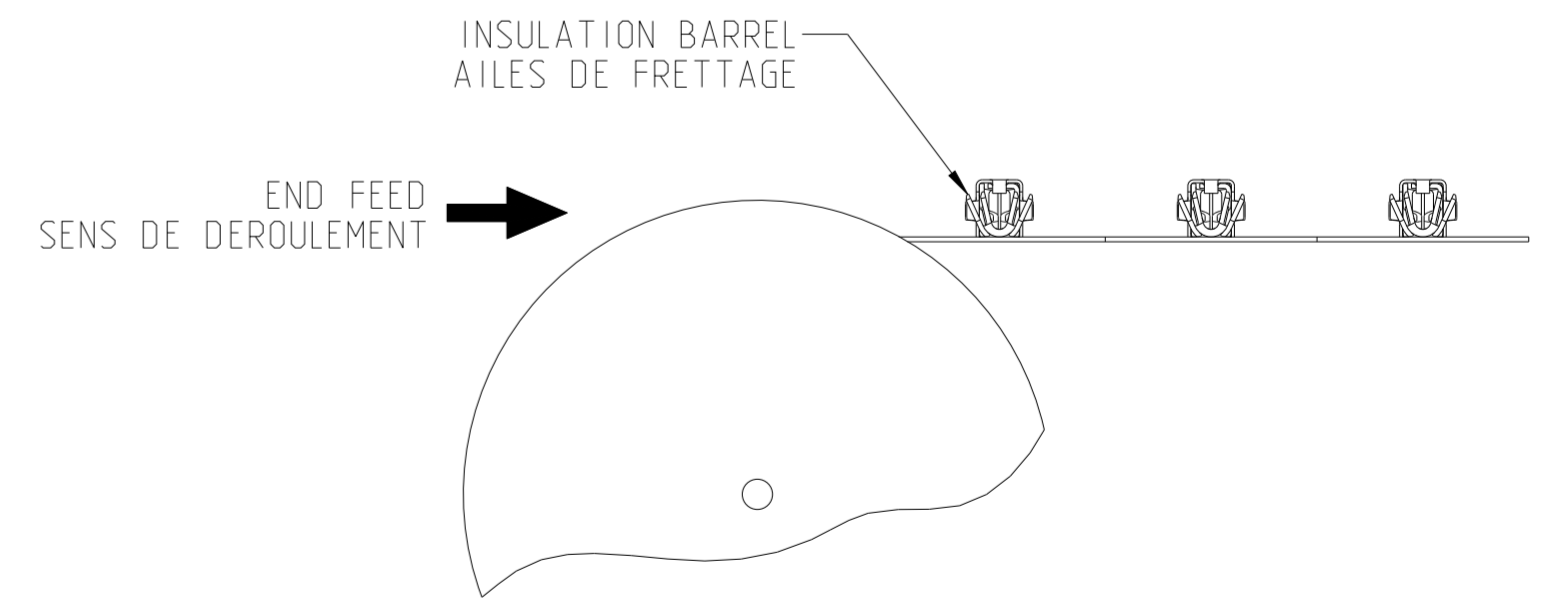
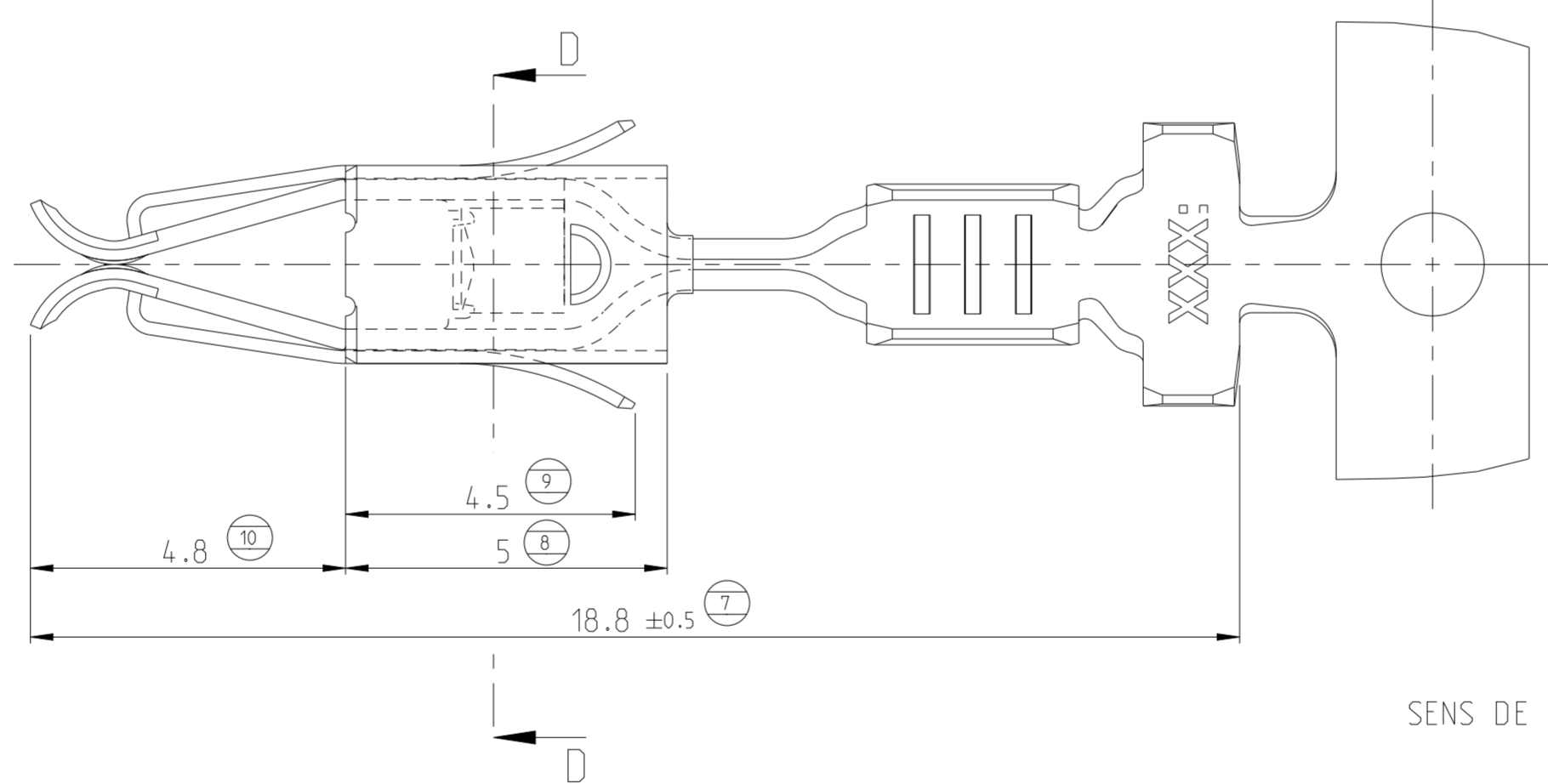


THIS DRAWING IS UNPUBLISHED. RELEASED FOR PUBLICATION
 © COPYRIGHT copyright_date BY - ALL RIGHTS RESERVED.

REVISIONS					
P	LTR	DESCRIPTION	DATE	DWN	APVD
B2		REVISED PER ECR-15-015581	28OCT2015	SCK	JP
B3		PN 144431-3 is OBSOLETE	15APR2021	JJH	JC



SPRING 144501-2
OR 927767-1



B3	OBSOLETE	PRE-GOLD 0.4 μm mini SUR 0.1 μm mini NI	CuSn4	144431-3
		PRE-TIN 0.8 A 3.3 μm	CuSn4	144431-1
		FINISH	MATERIAL	PART NUMBER

THIS DRAWING IS A CONTROLLED DOCUMENT. DIMENSIONING AND TOLERANCING PER GPS (ISO STANDARDS).

DIMENSIONS: mm	TOLERANCES UNLESS OTHERWISE SPECIFIED:	DWN: 27SEP2000 MICHEL POLIFONTE	TE Connectivity JUNIOR POWER TIMER								
0 PLC ± ±0.2	1 PLC ± ±0.2	CHK: 12OCT2000 M.POLIFONTE									
2 PLC ± ±0.2	3 PLC ± ±0.2	APVD: 12OCT2000 JJ REVIL									
4 PLC ± ±0.2	ANGLES ± ±5°	PRODUCT SPEC: 108-15121 APPLICATION SPEC: 114-15050									
MATERIAL: -	FINISH: -	WEIGHT: -	<table border="1"> <tr> <td>SIZE: A2</td> <td>CAGE CODE: 00779</td> <td>DRAWING NO: C-144431</td> <td>RESTRICTED TO:</td> </tr> <tr> <td colspan="3">CUSTOMER DRAWING</td> <td>SCALE: 10:1 SHEET: 1 OF 1 REV: B3</td> </tr> </table>	SIZE: A2	CAGE CODE: 00779	DRAWING NO: C-144431	RESTRICTED TO:	CUSTOMER DRAWING			SCALE: 10:1 SHEET: 1 OF 1 REV: B3
SIZE: A2	CAGE CODE: 00779	DRAWING NO: C-144431	RESTRICTED TO:								
CUSTOMER DRAWING			SCALE: 10:1 SHEET: 1 OF 1 REV: B3								

Mouser Electronics

Authorized Distributor

Click to View Pricing, Inventory, Delivery & Lifecycle Information:

[TE Connectivity:](#)

[144431-1](#)