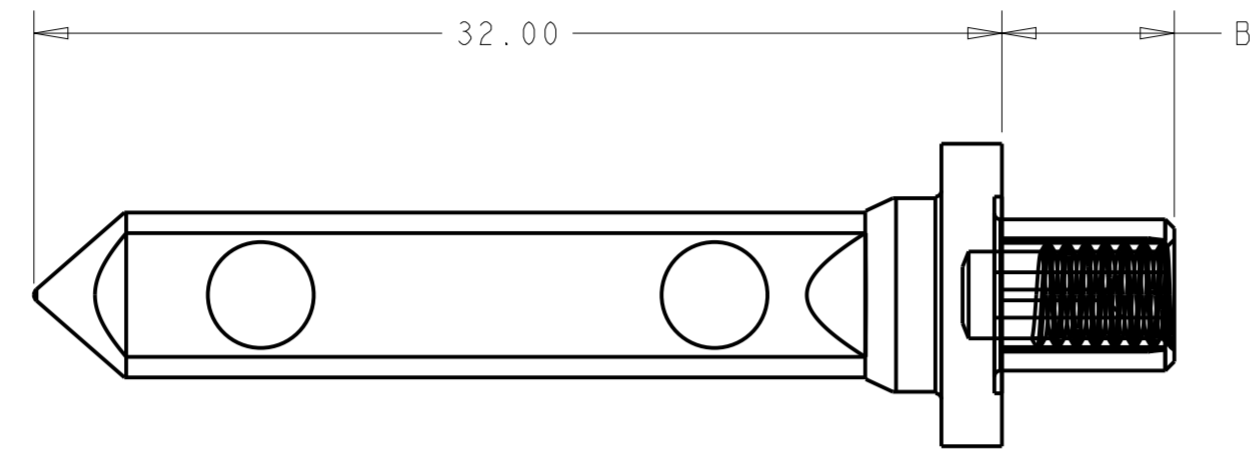
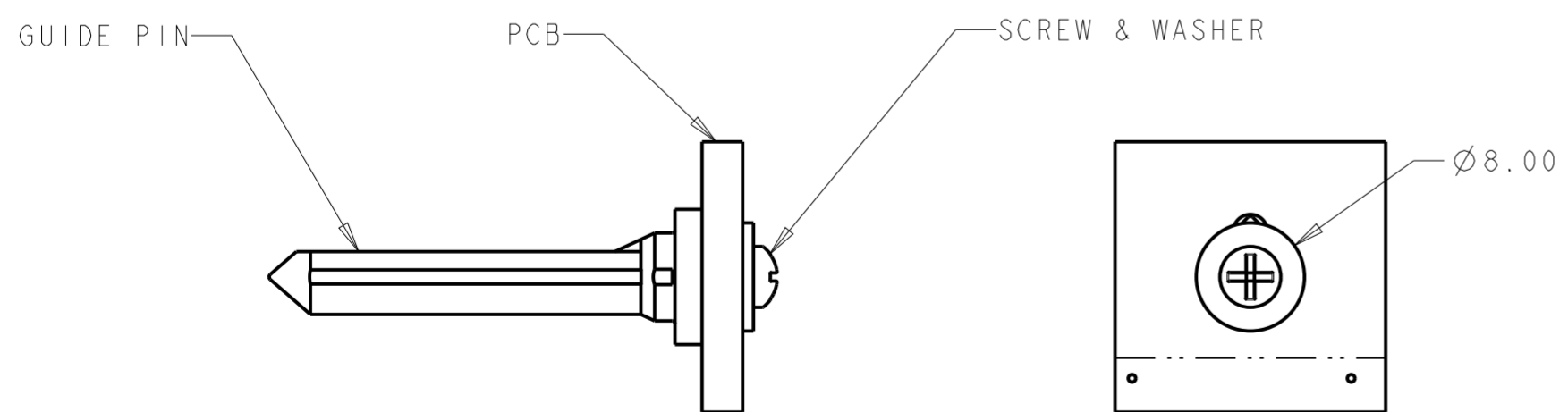
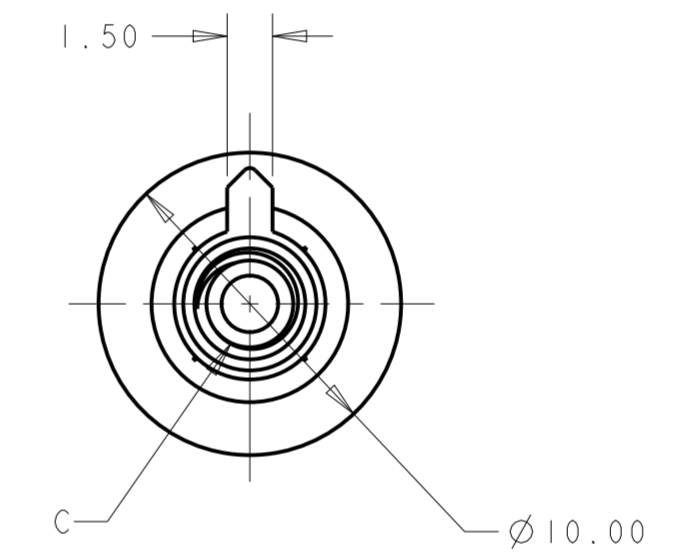
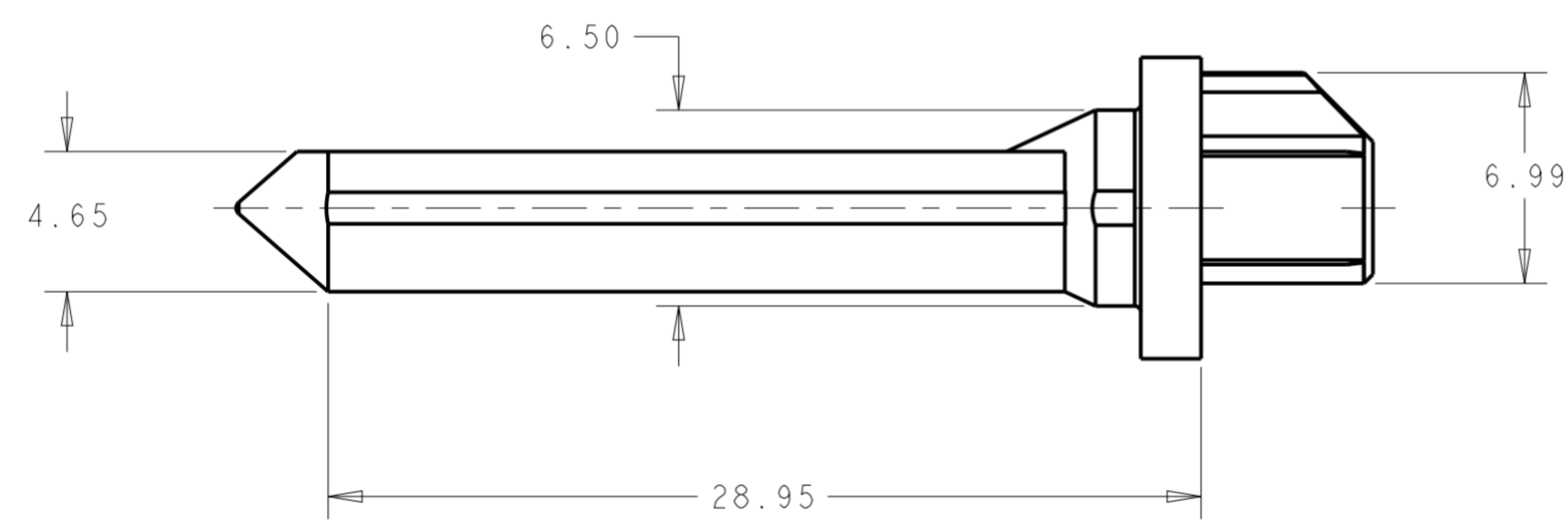
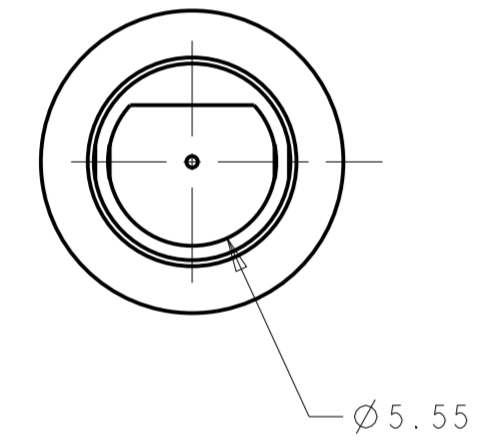


P	LTR	DESCRIPTION	DATE	DWN	APVD
A4		REV PER ECR-16-000382	09MAR2021	ML	SH



- 1 MATERIAL: ZINC ALLOY
- 2 FINISH: CHROMATE
- 3 KEY HOLE ORIENTATION (DIM A) PER MATING GUIDE MODULE PART NUMBER TABLE (ORIENTATION SHOWN ON PCB LAYOUT IS FOR 1410297-2 & 1-1410297-2)
- 4 OPTIONAL ANNULAR RING MAY BE PLATED AROUND GUIDE PIN MOUNTING HOLE ON BOTTOM SIDE OF BOARD
- 5 FINISH: NICKEL PLATING OVER COPPER BASED-PLATING.



RECOMMENDED APPLICATION VIEW  
P/N: 1410548-\*  
SCALE 2:1

PRELIMINARY

M2.5X0.45	M2.5X0.45-6H X5.50 DEEP	2.60	5	1	1410548-5
NO	M2.5X0.45-6H X5.50 DEEP	2.60	5	1	1410548-4
NO	M3.5X0.6-6H X4.5 DEEP	5.70	5	1	1410548-3
NO	M3.5X0.6-6H X4.5 DEEP	5.70	2	1	1410548-2
SCREW SPEC.	C	B	FINISH	MATERIAL	PART NUMBER

THIS DRAWING IS A CONTROLLED DOCUMENT.

DWN: D.E. STAHL 02NOV2000  
CHK: N. SCHROLL 02NOV2000  
APVD: N. SCHROLL 02NOV2000

**STE** TE Connectivity

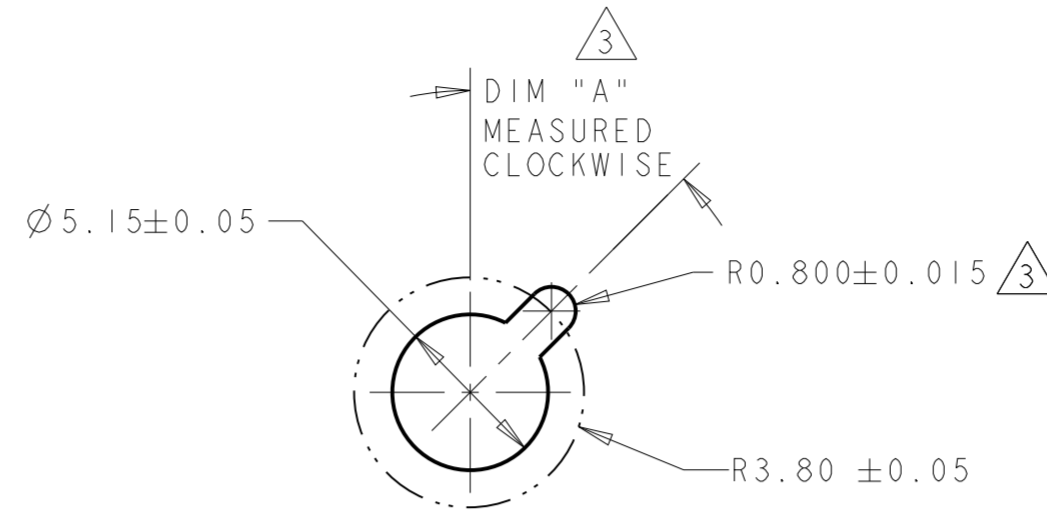
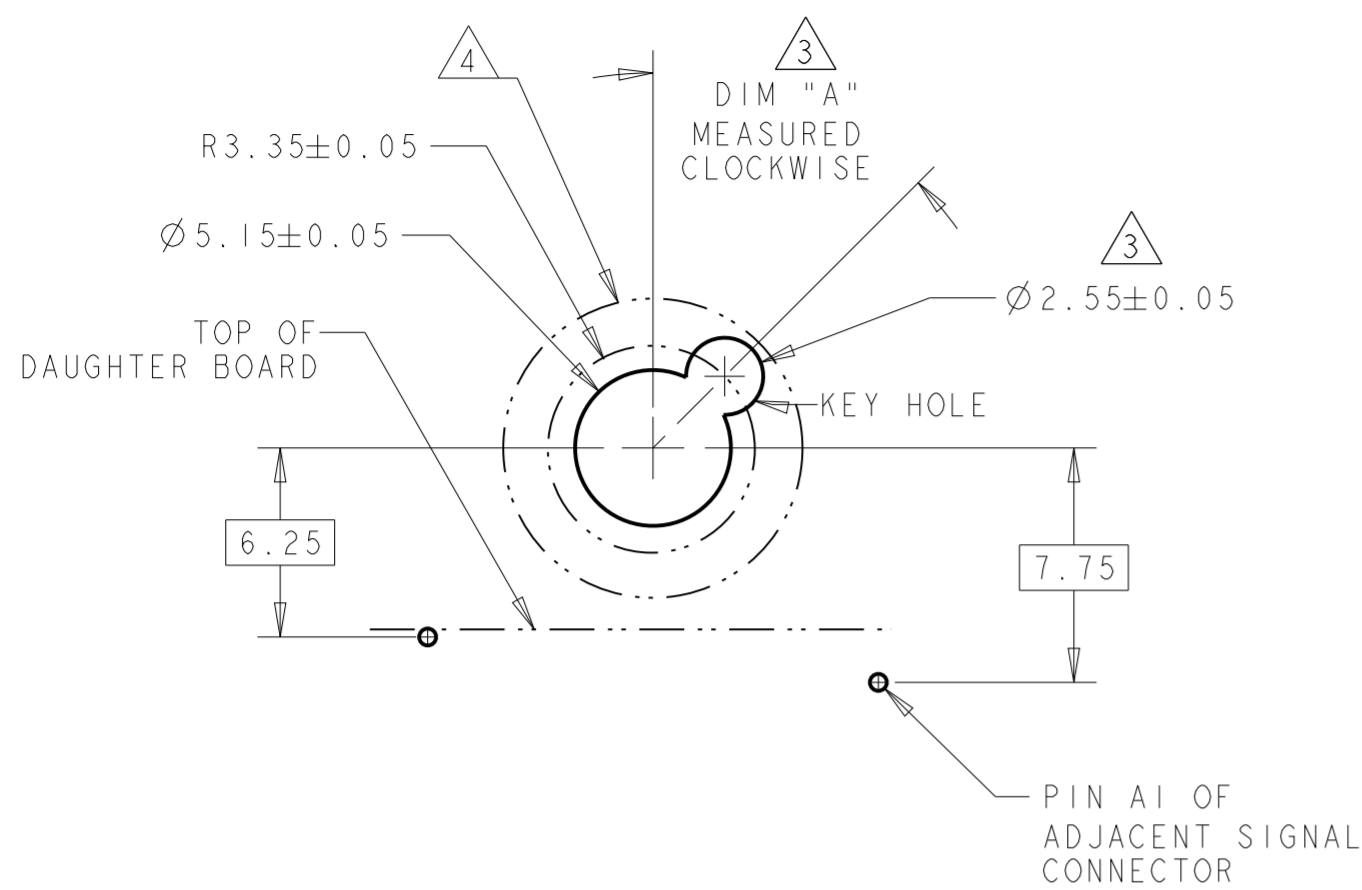
NAME: KEYED GUIDE PIN MULTIGIG BACKPLANE CONN

SIZE: A2 CAGE CODE: 00779 DRAWING NO: 1410548 RESTRICTED TO: A4

SCALE: 4:1 SHEET: 1 OF 2 REV: A4

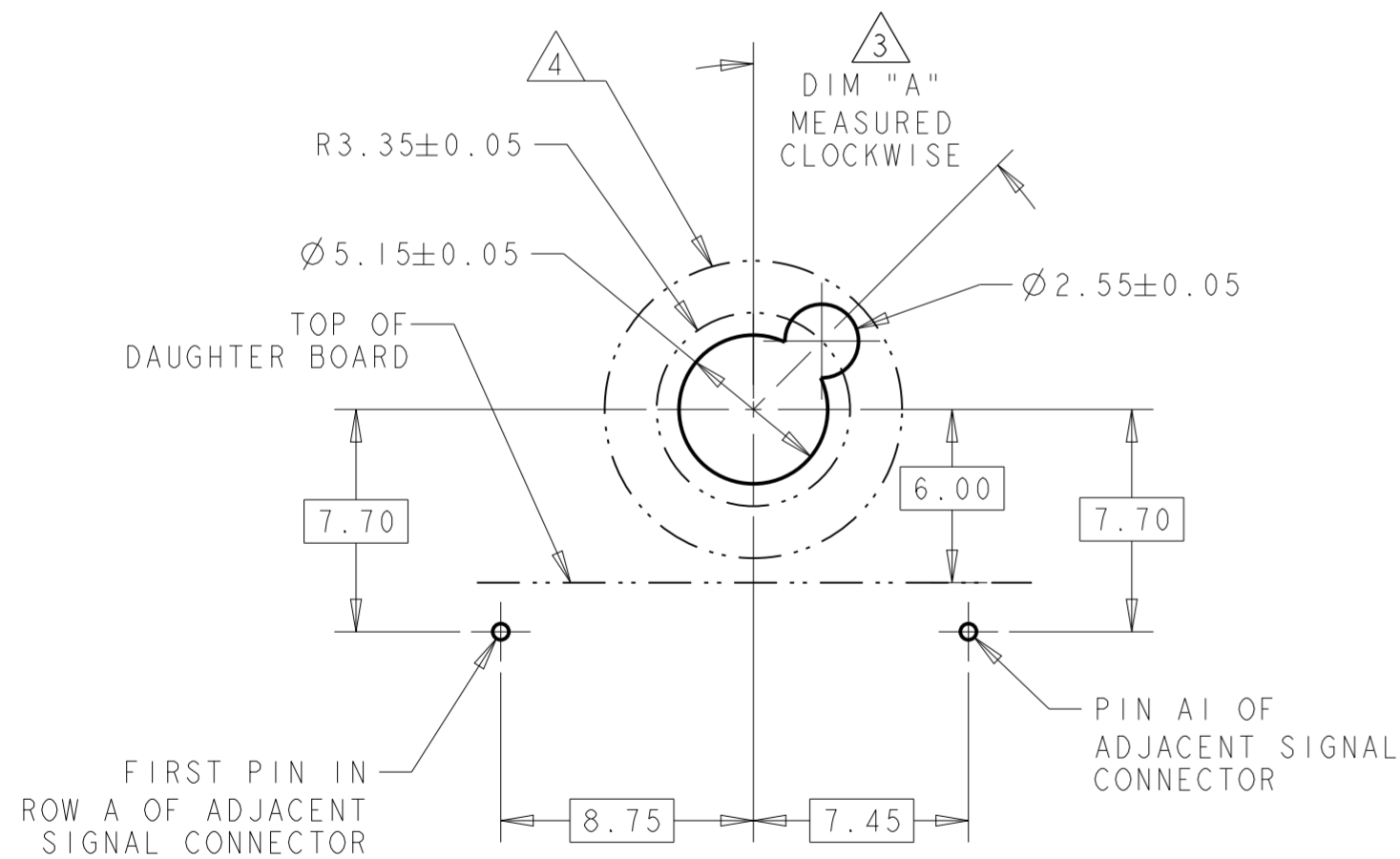
CUSTOMER DRAWING

P	LTR	DESCRIPTION	DATE	DWN	APVD
-	-	SEE SHEET 1	-	-	-

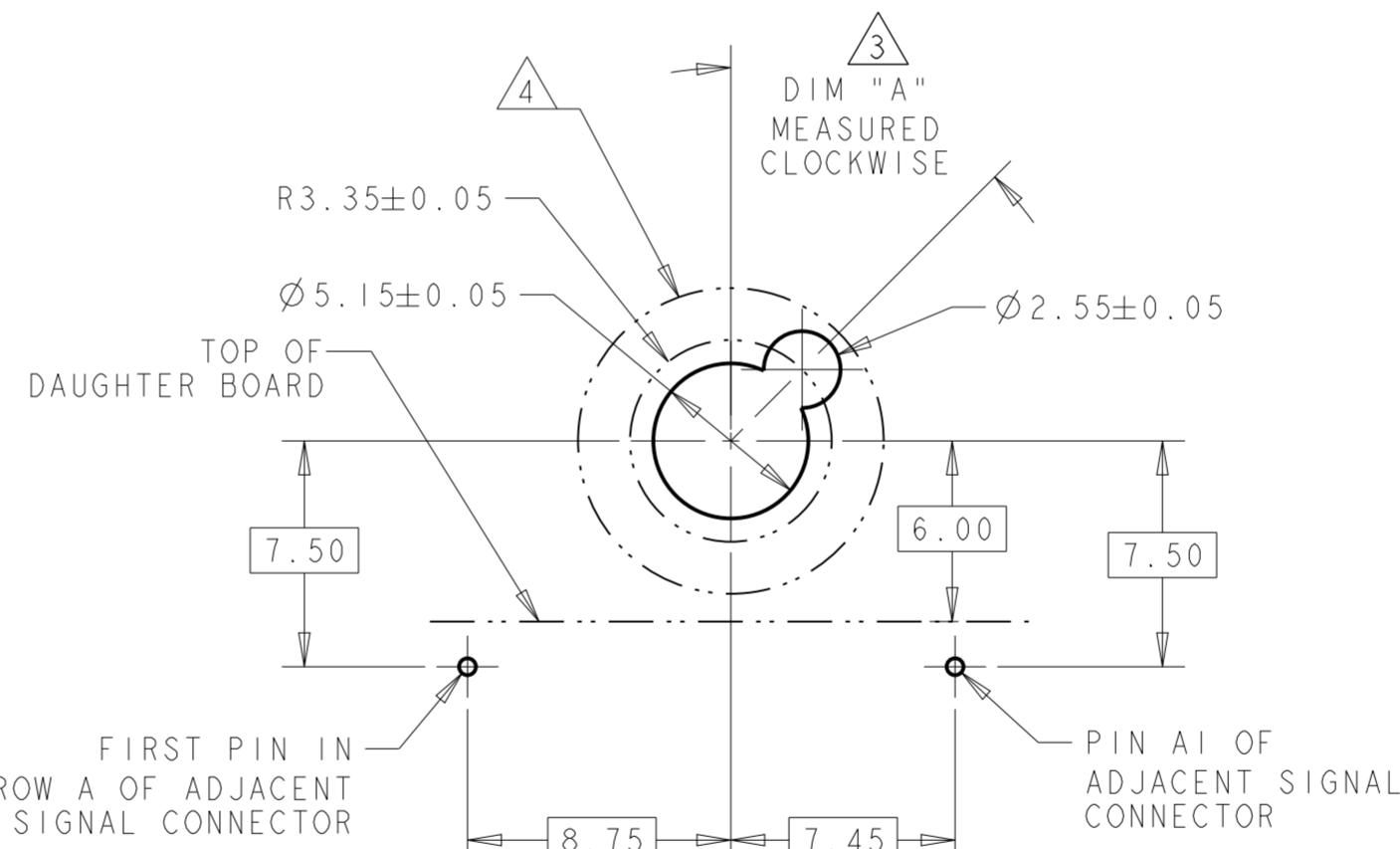


TIER 1  
GUIDE PIN FOOTPRINT  
(20.3 & 25.4mm SIGNAL MODULES)  
SCALE 4:1

ALTERNATE PCB LAYOUT  
FOR GUIDE POST  
SCALE 4:1



TIER 2  
GUIDE PIN FOOTPRINT  
(20.3mm SIGNAL MODULES)  
SCALE 4:1



TIER 2  
GUIDE PIN FOOTPRINT  
(25.4mm SIGNAL MODULES)  
SCALE 4:1

5	315°	1-1410297-8
5	270°	1-1410297-7
5	225°	1-1410297-6
5	180°	1-1410297-5
5	135°	1-1410297-4
5	90°	1-1410297-3
5	45°	1-1410297-2
5	0°	1-1410297-1
2	315°	1410297-8
2	270°	1410297-7
2	225°	1410297-6
2	180°	1410297-5
2	135°	1410297-4
2	90°	1410297-3
2	45°	1410297-2
2	0°	1410297-1
FINISH	DIM "A"	20.3mm GUIDE MODULE
		MATING GUIDE MODULE 3

THIS DRAWING IS A CONTROLLED DOCUMENT.		DWN D. E. STAHL 02NOV2000	TE Connectivity	
DIMENSIONS: mm		CHK N. SCHROLL 02NOV2000		
TOLERANCES UNLESS OTHERWISE SPECIFIED:		APVD N. SCHROLL 02NOV2000	NAME KEYED GUIDE PIN MULTIGIG BACKPLANE CONN	
0 PLC ±- 1 PLC ±0.5 2 PLC ±0.13 3 PLC ±0.013 4 PLC ±0.0001 ANGLES ±0°'30"		PRODUCT SPEC -	SIZE A200779	
MATERIAL		APPLICATION SPEC 114-13056	DRAWING NO C-1410548	
FINISH		WEIGHT -	RESTRICTED TO	
CUSTOMER DRAWING		SCALE 4:1		SHEET 2 OF 2
				REV A4

# Mouser Electronics

Authorized Distributor

Click to View Pricing, Inventory, Delivery & Lifecycle Information:

[TE Connectivity:](#)

[1410548-3](#)