

4

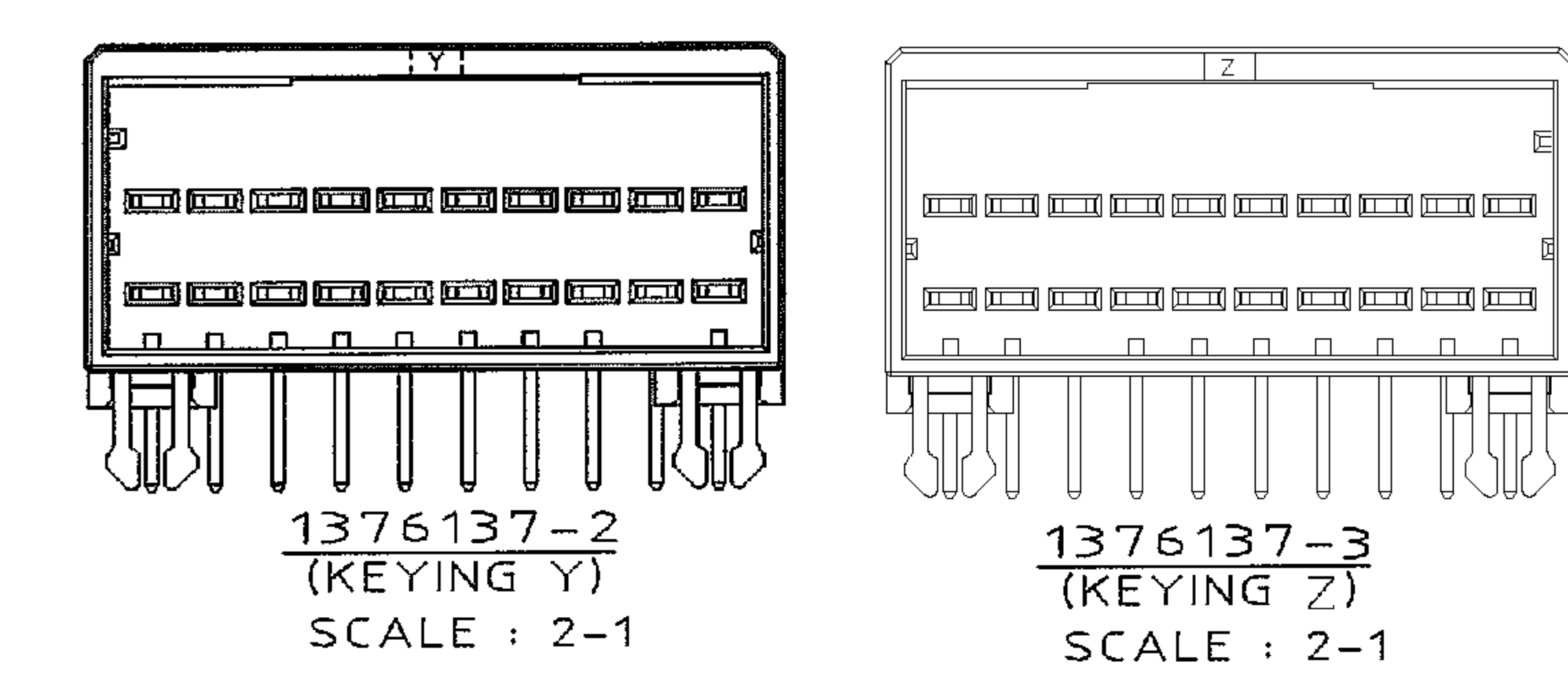
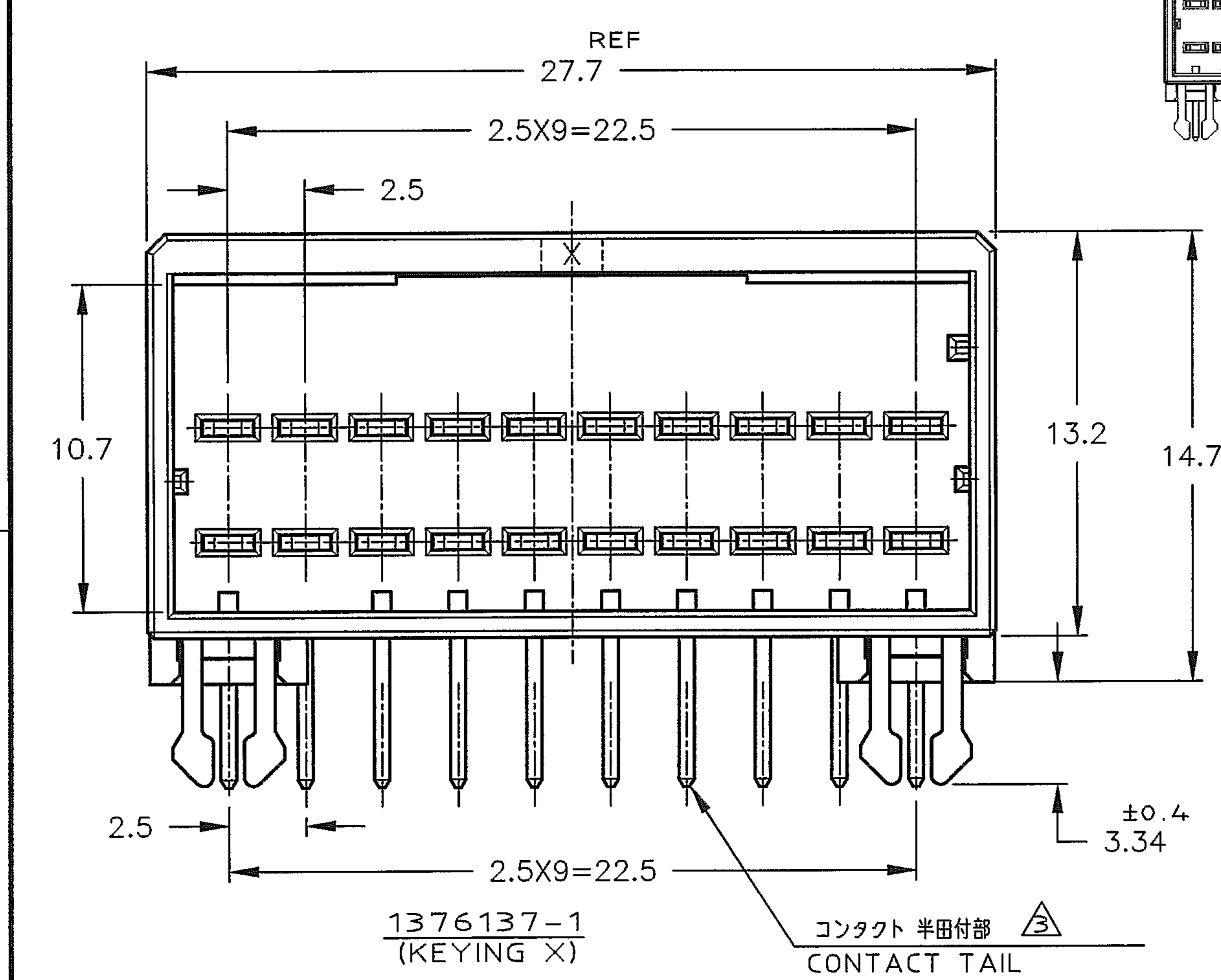
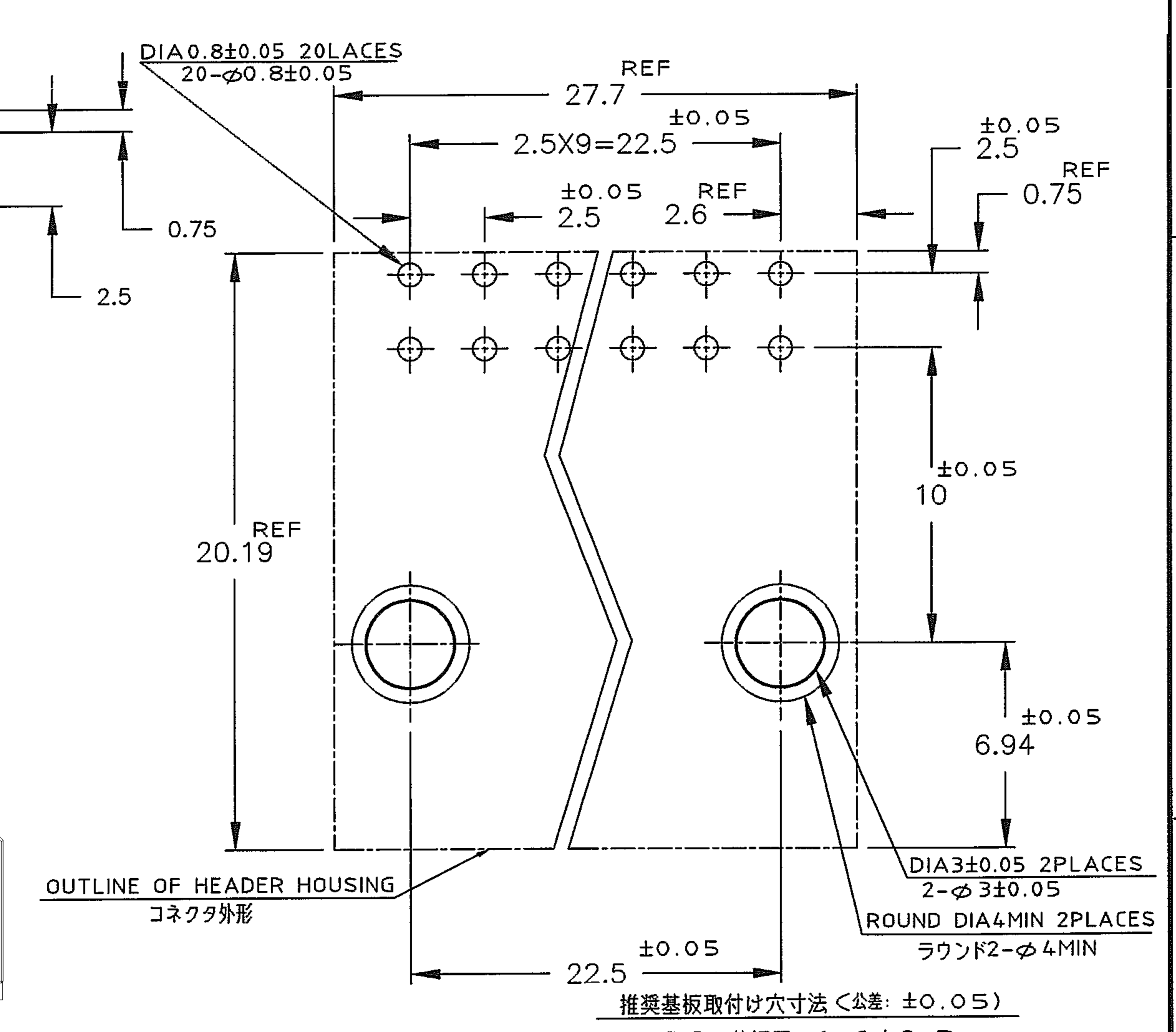
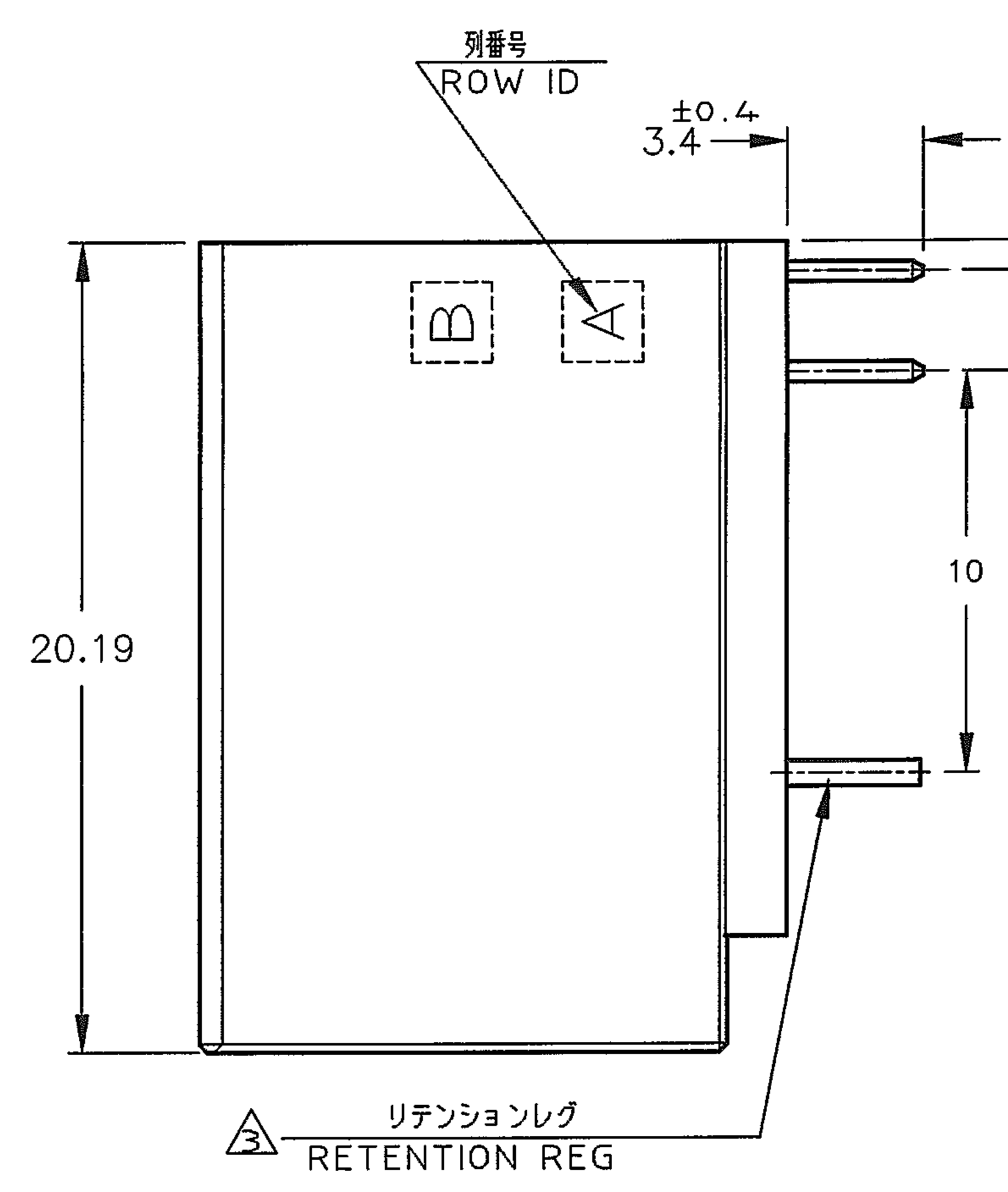
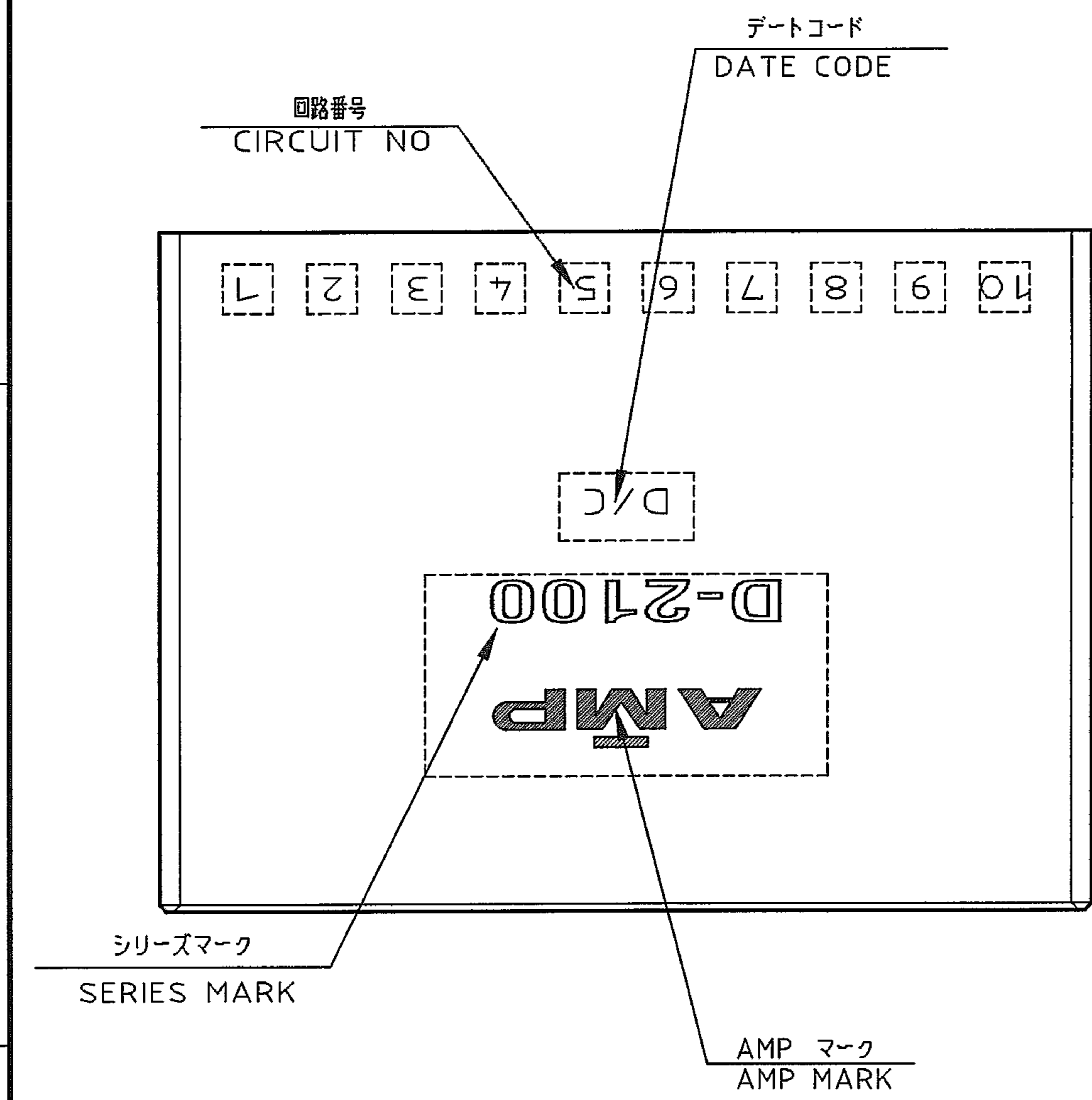
3

2

1

THIS DRAWING IS UNPUBLISHED. RELEASED FOR PUBLICATION  
 © COPYRIGHT ALL RIGHTS RESERVED.

LOC		DIST		REVISIONS			DATE	DWN	APVD
P	LTR	DESCRIPTION							
J	ZDI	B1	REVISED PER ECO-11-005030			24MAR11	RK	HMR	
		C	REVISE PER ECR-14-001819			11FEB14	E.C	H.M	



NOTES  
 1. MATERIAL: HOUSING: GLASS FILLED THERMO PLASTIC, POLYESTER (94V-0), COLOR: BLACK  
 TAB CONTACT: COPPER ALLOY  
 RETENTION LEG: BRASS  
 △ FINISH (CONTACT AREA): 0.38 μm MIN GOLD PLATING OVER Ni PLATING  
 △ FINISH (RETENTION LEG): TIN PLATED (CONTACT TAIL) OVER NICKEL

RECOMENDED PC BOARD HOLE PATTERN (TOL: ±0.05)  
 PC BOARD THICKNESS: 1.6 ± 0.3  
 注記 (CONNECTOR MOUNT SIDE)  
 1. 材料: ハウジング: ガラス入り熱可塑性ポリエステル樹脂 (94V-0), 色: 黒  
 タブ コンタクト: 銅合金  
 リテンション レグ: 黄銅  
 △ めっき: コンタクト: 全面 Ni 下地 接触部: 0.38 μm MIN 金めっき  
 △ めっき: リテンションレグとコンタクト半田付部: ニッケル下地の上にスズめっき

DIMENSIONS: 単位: mm		TOLERANCES UNLESS OTHERWISE SPECIFIED		DWN: K.IKEDA 24/FEB/'00		TE Connectivity NAME 2列 ヘッダーアセンブリー 20P (水平タイプ) DOUBLE ROW HEADER ASS'Y 20P ("H" TYPE) <DYNAMIC D-2100D>			
MATERIAL 注記参照 SEE NOTES		FINISH 注記参照 SEE NOTES		CHK: Y.KATO 28/FEB/'00					
10% ±0.3		3% >10 ±0.35		APVD: I.HASEGAWA 28/FEB/'00		A3	00779	1376137	-
10% ±0.4		ANGLE: ±3°		PRODUCT SPEC		SCALE 4-1 SHEET 1 OF 1 REV C			
10% ±0.4		ANGLE: ±3°		APPLICATION SPEC		CUSTOMER DRAWING			

# Mouser Electronics

Authorized Distributor

Click to View Pricing, Inventory, Delivery & Lifecycle Information:

[TE Connectivity:](#)

[1376137-2](#)