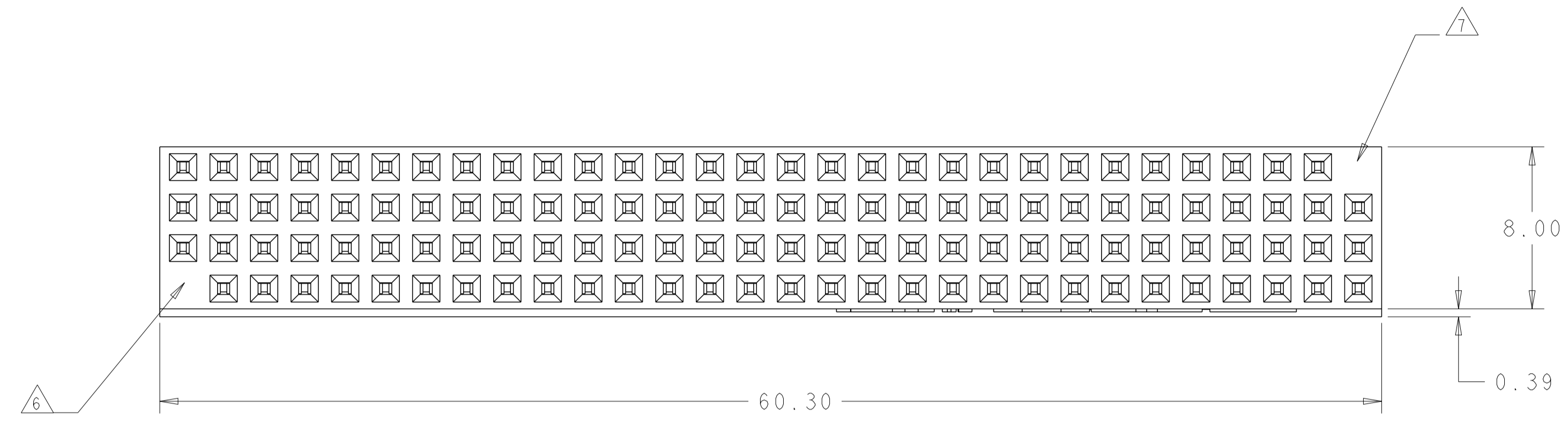
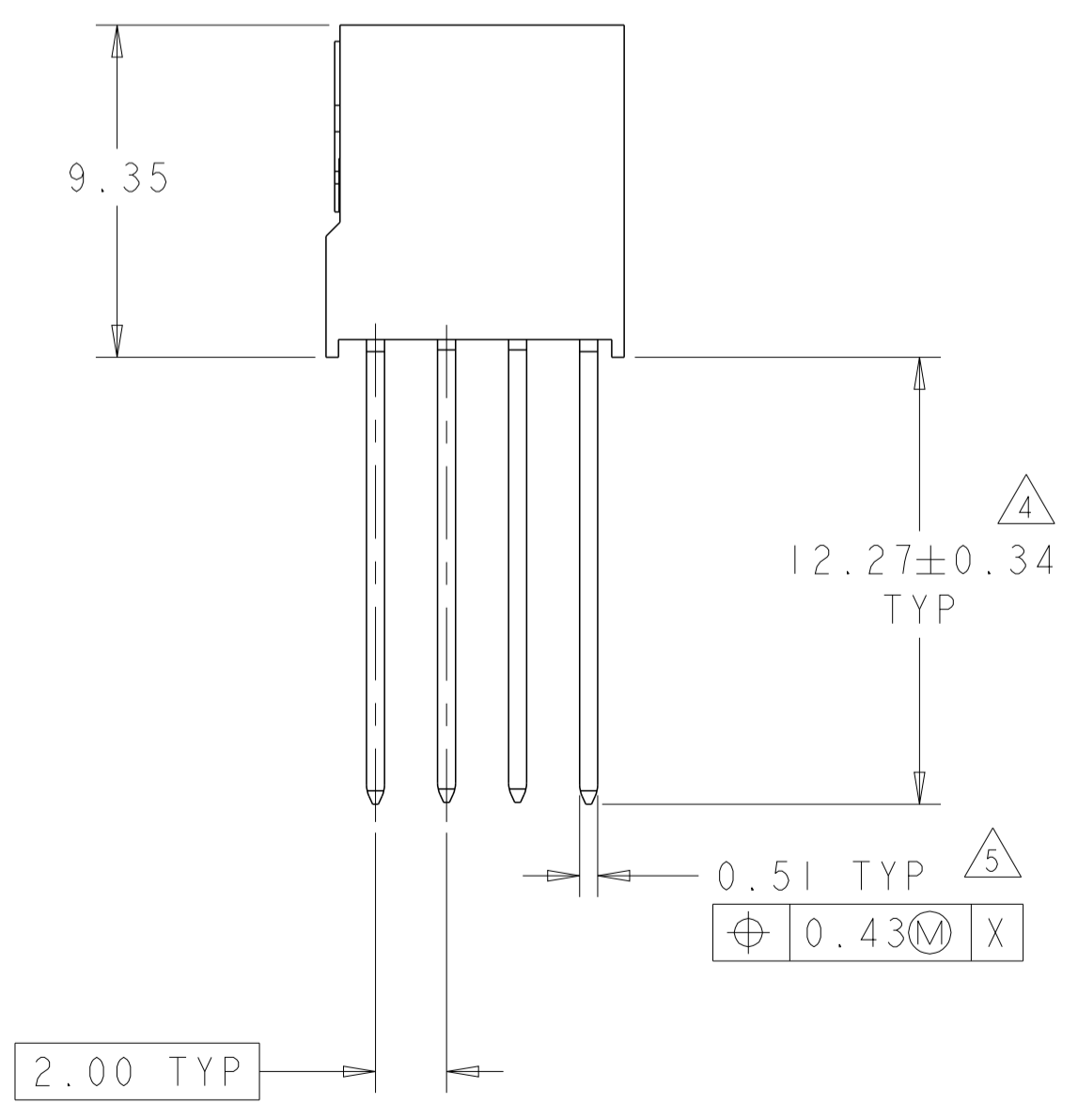
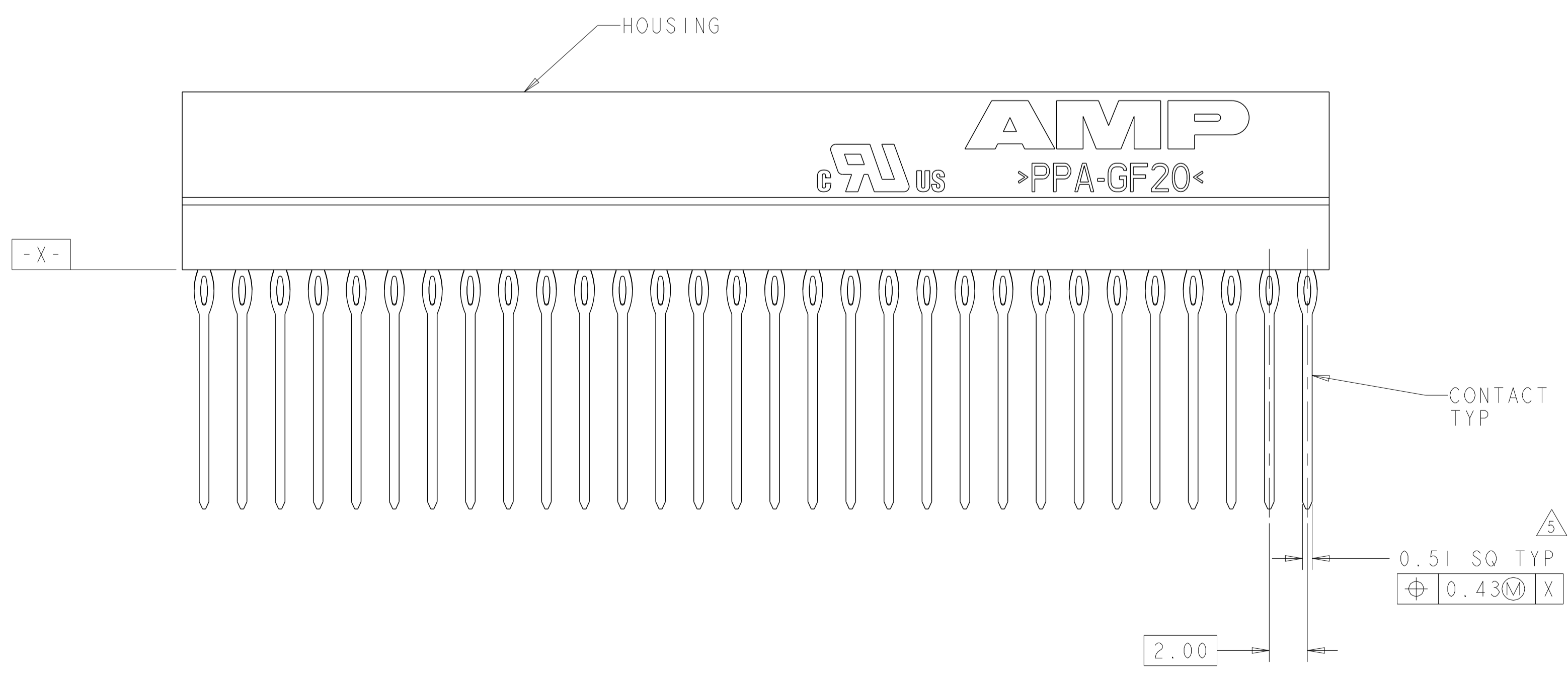


| REVISIONS | | | | |
|-----------|-----|---------------------------|-----------|-------|
| P | LTN | DESCRIPTION | DATE | APVD |
| H4 | | REVISED PER ECO-16-008038 | 27MAY2016 | NK JO |
| J | | REVISED PER ECO-18-012301 | 06AUG2018 | RS JO |



- 1 HOUSING: HIGH TEMPERATURE, GLASS FILLED NYLON, COLOR: BLACK. CONTACTS: PHOSPHOR BRONZE.
- 2 CONTACTS: 0.000381 MIN GOLD ON MATING RECEPTACLE END, 0.000130 MIN GOLD ON REMAINDER, ALL OVER 0.001270 NICKEL.
- 3 PCB HOLE RECOMMENDATIONS:
 A. DRILL HOLE DIAMETER TO BE 1.00±0.02.
 B. PLATING TO BE 0.005 MIN TIN-LEAD OVER 0.025-0.075 COPPER.
 C. RECOMMENDED FINISH HOLE SIZE IS 0.88±0.08.
- 4 DIMENSION AFTER SEATING TO PCB.
- 5 POSITION TOLERANCE APPLIES AFTER CONNECTOR IS PRESSED ONTO PC BOARD.
- 6 NO CONTACT IN THIS POSITION FOR PART NUMBER 1375799-2 ONLY.
- 7 NO CONTACT IN THIS POSITION FOR PART NUMBER 1375799-3 ONLY.
- 8 CONTACT FINISH: 0.000381 MIN GOLD ON MATING RECEPTACLE END, 0.00254-0.00508 TIN ON COMPLIANT AREA, 0.000130 MIN GOLD ON REMAINDER, ALL OVER 0.001270 NICKEL.
- 9 TO BE USED ON SILVER IMMERSION PLATED PCB'S (NOTE 10).
- 10 PCB HOLE RECOMMENDATIONS FOR SILVER IMMERSION PLATING:
 A. DRILL HOLE DIAMETER TO BE 1.00-1.02.
 B. PLATING TO BE 0.0001524-0.0004064 SILVER OVER 0.0508±0.0254 COPPER.
 C. RECOMMENDED FINISH HOLE SIZE IS 0.94-0.97.
- 11 PCB HOLE RECOMMENDATIONS FOR ENIG PLATING:
 A. DRILL HOLE DIAMETER TO BE 1.00-1.02.
 B. PLATING TO BE 0.000051-0.000127 GOLD OVER 0.00305-0.00610 NICKEL ALL OVER 0.0508±0.0254 COPPER.
 C. RECOMMENDED FINISH HOLE SIZE IS 0.94-0.97.
- 12 TO BE USED ON STANDARD PCB (NOTE 3) OR ENIG PLATED PCB (NOTE 11).



| | | | |
|--------|---|----------------|-----------|
| 9 | 8 | YES 7 | 1375799-6 |
| 9 | 8 | YES 6 | 1375799-5 |
| 9 | 8 | NO | 1375799-4 |
| 12 | 2 | YES 7 | 1375799-3 |
| 12 | 2 | YES 6 | 1375799-2 |
| 12 | 2 | NO | 1375799-1 |
| FINISH | | KEYED CIRCUITS | PART NO |

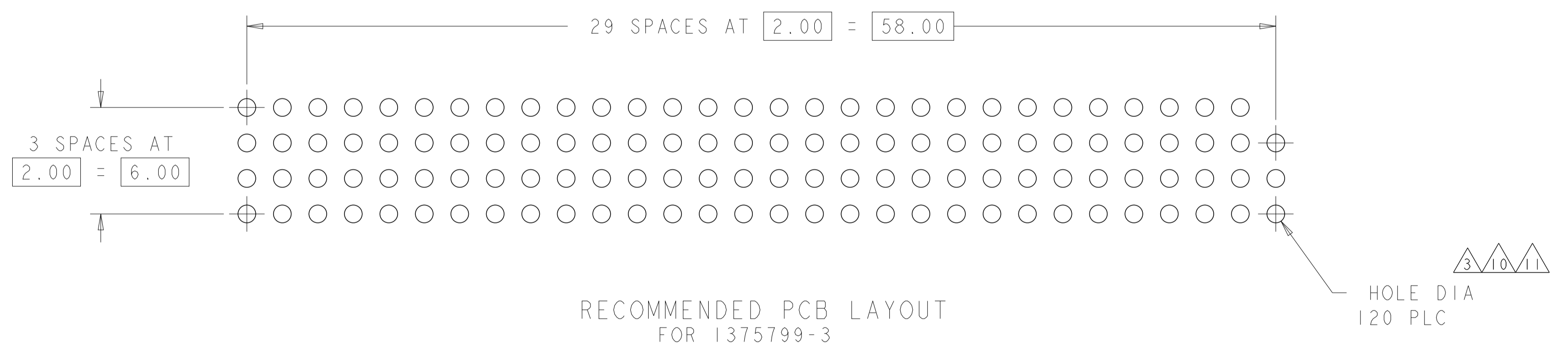
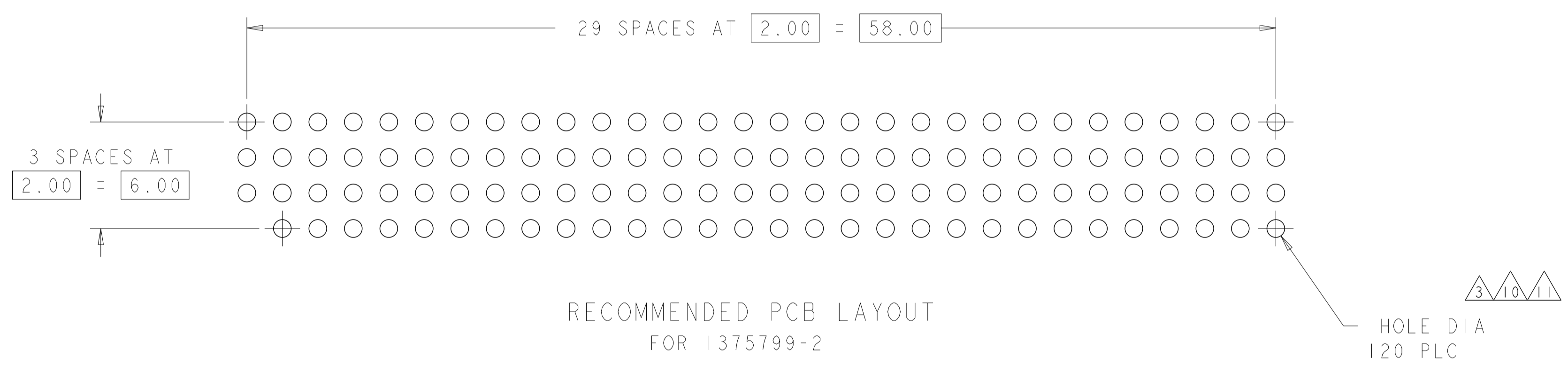
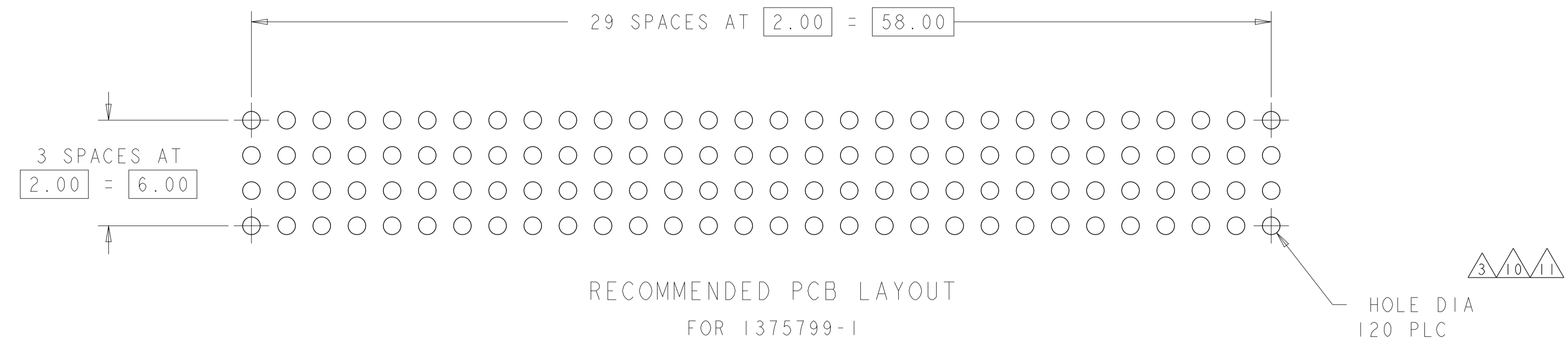
THIS DRAWING IS A CONTROLLED DOCUMENT. DWG: H.G. LENKER 20JUN2000
 CHK: L. BREKOSKY 15JAN2001
 APVD: J. OLSON 13JAN2001


STE TE Connectivity

NAME: ASSEMBLY, PC/104-PLUS, STACKTHROUGH CONTACTS, PRESS FIT
 PRODUCT SPEC: 108-1956
 APPLICATION SPEC: 114-13021
 WEIGHT: -

SIZE: A1 CAGE CODE: 100779 DRAWING NO: 1375799
 RESTRICTED TO: CUSTOMER DRAWING SCALE: 5:1 SHEET 1 OF 2 REV J

| REVISIONS | | | | |
|-----------|-----|-------------|------|------|
| P. | LTN | DESCRIPTION | DATE | APVD |
| - | - | SEE SHEET 1 | - | - |
| | | | | |
| | | | | |



| | | | |
|--|-------------|----------------------------|---|
| THIS DRAWING IS A CONTROLLED DOCUMENT. | | DWN W.G. LENKER 20JUN2000 |  TE Connectivity |
| DIMENSIONS: mm | | CHK L. BREKOSKY 15JAN2001 | |
| TOLERANCES UNLESS OTHERWISE SPECIFIED: | | APVD J. OLSON 13JAN2001 | NAME ASSEMBLY, PC/104-PLUS, STACKTHROUGH CONTACTS, PRESS FIT |
| 0 PLC ± | 1 PLC ±0.13 | PRODUCT SPEC 108-1956 | SIZE A1 |
| 2 PLC ± | 3 PLC ± | APPLICATION SPEC 114-13021 | CAGE CODE C=1375799 |
| 4 PLC ± | ANGLES ± | FINISH | RESTRICTED TO |
| MATERIAL | WEIGHT | CUSTOMER DRAWING | SCALE 5:1 SHEET 2 OF 2 REV J |

Mouser Electronics

Authorized Distributor

Click to View Pricing, Inventory, Delivery & Lifecycle Information:

[TE Connectivity:](#)

[1375799-3](#)