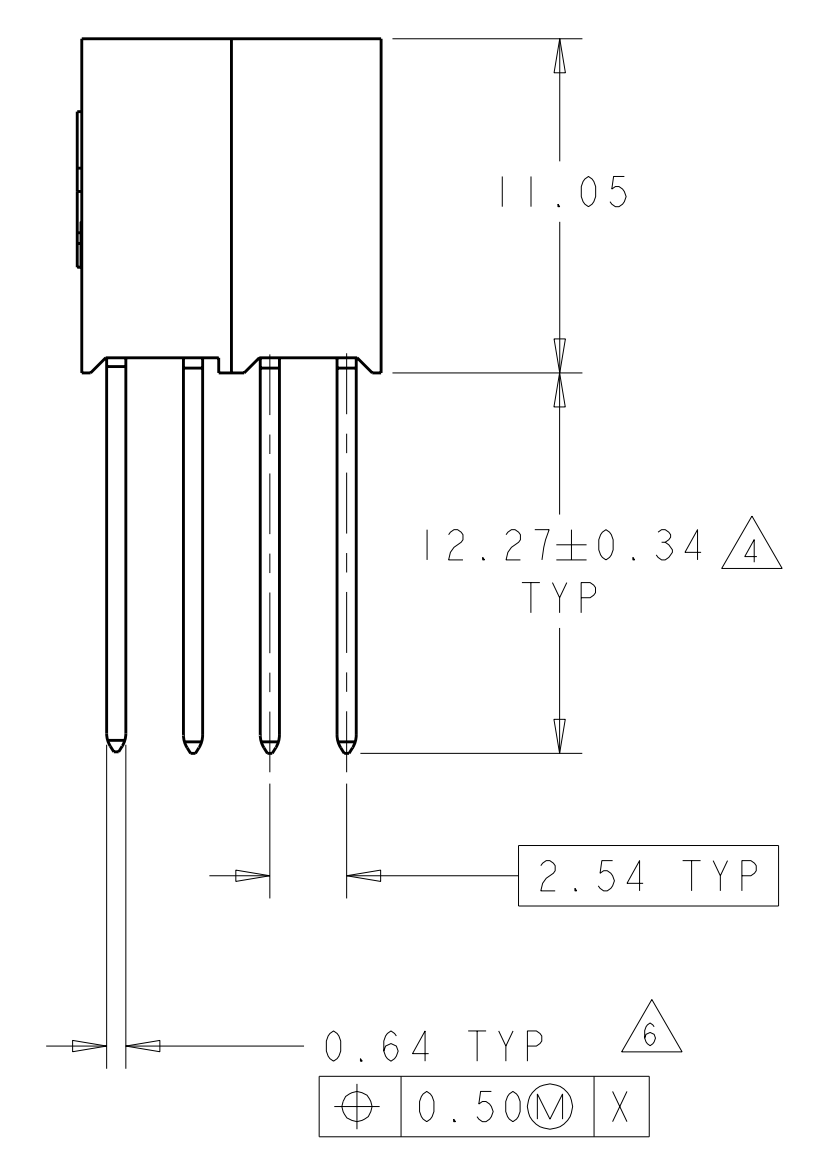
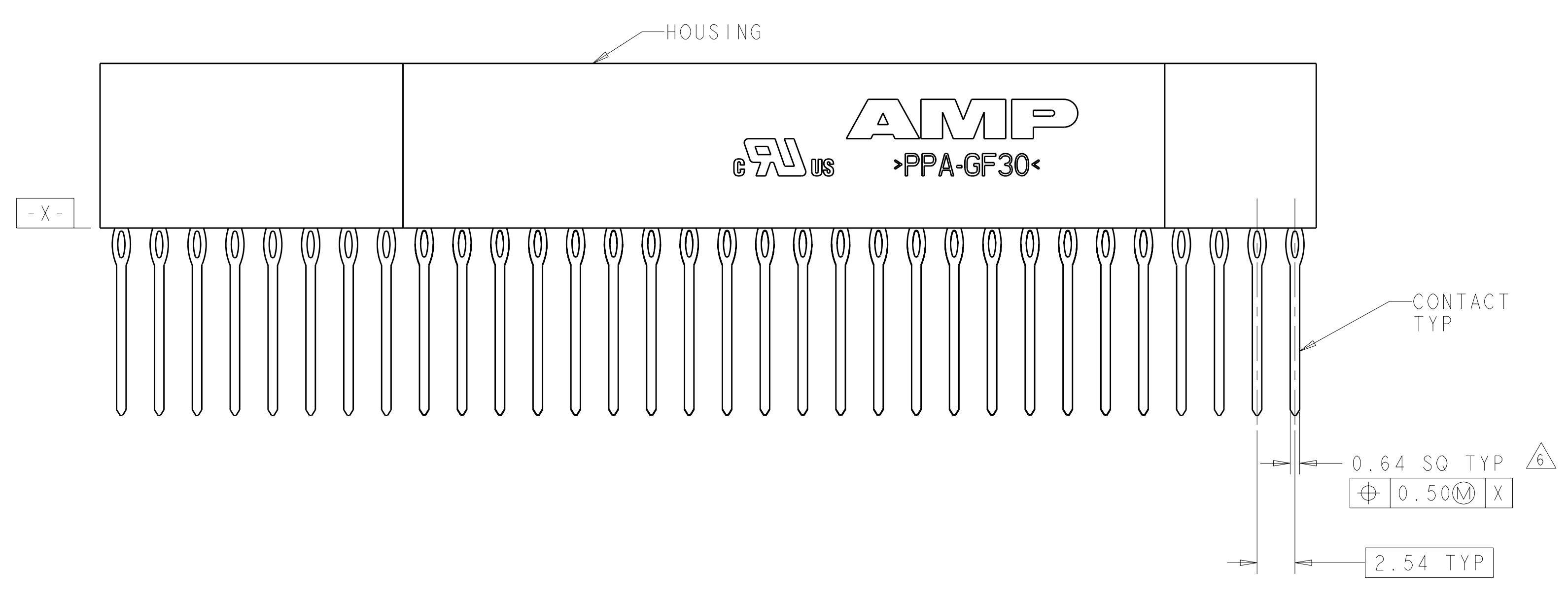
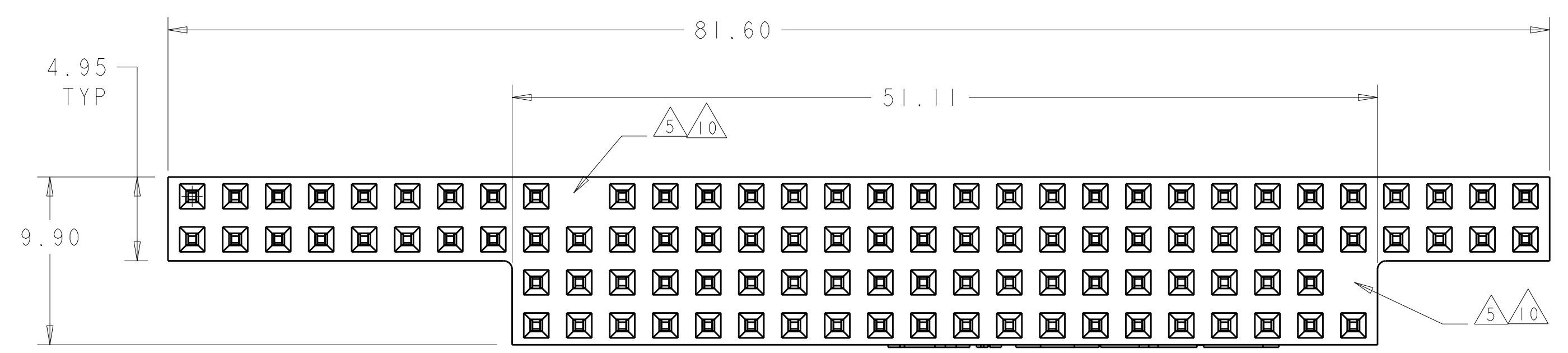
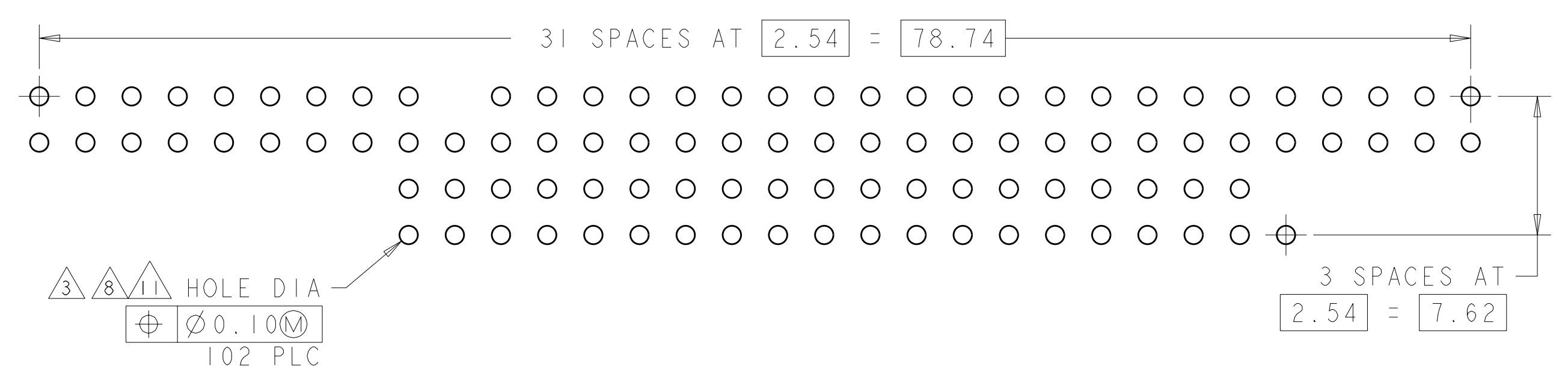


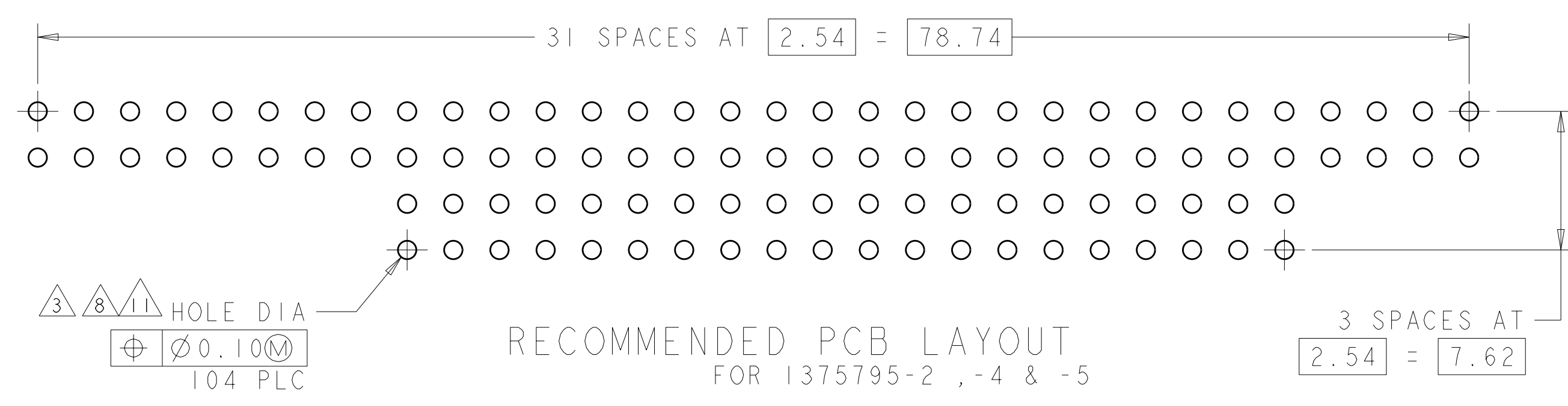
LOC	DIST	REV	DATE	BY	CHK	APPV
AD	00	H1	24MAR2011	RK	HMR	



- △ HOUSING: HIGH TEMPERATURE, GLASS FILLED NYLON, COLOR: BLACK. CONTACTS: PHOSPHOR BRONZE
- △ CONTACTS: 0.00038 MIN GOLD ON MATING RECEPTACLE END, 0.00013 MIN GOLD ON REMAINDER, ALL OVER 0.00127 NICKEL.
- △ PCB HOLE RECOMMENDATIONS:
 - A. DRILL HOLE DIAMETER TO BE 1.15±0.02.
 - B. PLATING TO BE 0.005 MIN TIN-LEAD OVER 0.025-0.075 COPPER.
 - C. RECOMMENDED FINISH HOLE SIZE IS 1.03±0.08.
- △ DIMENSION AFTER SEATING TO PCB.
- △ NO CONTACT IN THIS POSITION, FOR PART NUMBER 1375795-1, -3, & -5 ONLY
- △ POSITION TOLERANCE APPLIES AFTER CONNECTOR IS PRESSED ONTO PC BOARD.
- △ CONTACTS: 0.00038 MIN GOLD ON MATING RECEPTACLE END, 0.00250-0.00508 MATTE TIN ON COMPLIANT AREA, 0.00013 MIN GOLD ON REMAINDER, ALL OVER 0.00127 NICKEL.
- △ PCB HOLE RECOMMENDATIONS FOR SILVER IMMERSION PLATING:
 - A. DRILL HOLE DIAMETER TO BE 1.20±0.02.
 - B. PLATING TO BE 0.0001524-0.0004064 SILVER OVER 0.0508±0.0254 COPPER.
 - C. RECOMMENDED FINISH HOLE SIZE IS 1.10-1.19.
- △ TO BE USED ON SILVER IMMERSION PLATED PCB'S (NOTE 8).
- △ HOUSING CONTACT CAVITIES MOLDED SHUT FOR PART NUMBERS 1375795-1) & -3 ONLY
- △ PCB HOLE RECOMMENDATIONS FOR ENIG PLATING:
 - A. DRILL HOLE DIAMETER TO BE 1.20±0.02.
 - B. PLATING TO BE 0.000051-0.000127 GOLD OVER 0.00305-0.00610 NICKEL ALL OVER 0.0508±0.0254 COPPER.
 - C. RECOMMENDED FINISH HOLE SIZE IS 1.10-1.19.
- △ TO BE USED ON STANDARD PCB (NOTE 3) OR ENIG PLATED PCB (NOTE 11).



RECOMMENDED PCB LAYOUT FOR 1375795-1 & -3



RECOMMENDED PCB LAYOUT FOR 1375795-2, -4 & -5

REV	DESCRIPTION	DATE	BY	CHK	APPV
2	NO				
7	NO				
7	YES				
2	NO				
2	YES				

THIS DRAWING IS A CONTROLLED DOCUMENT.

AW: G. LENKER 02JUN2000
 CW: L. BREKOSKY 15JAN2001
 APVD: J. OLSON 13JUN2001

PRODUCT SPEC: 108-1956
 APPLICATION SPEC: 114-13021

ASSEMBLY, PC/104, STACKTHROUGH CONTACTS, PRESS FIT

SCALE: 3:1 SHEET 1 OF 1 REV: H1

Mouser Electronics

Authorized Distributor

Click to View Pricing, Inventory, Delivery & Lifecycle Information:

[TE Connectivity:](#)

[1375795-4](#)