

Modular Signal Towers / KombiSIGN 72
TwinLIGHT Classic 24VAC/DC GN



Part No.:	647.210.75
Series:	KombiSIGN 72



MECHANICAL DATA	
Height	66 mm
Diameter	70 mm
Materials	PC
Dome colour	Green
Protection category	IP65
Service life optical	50,000 h maximum
Working temperature minimum	-30°C
Working temperature maximum	+60°C
UL Type Rating	Type 12
Weight with packaging	91 g
Product weight	77 g

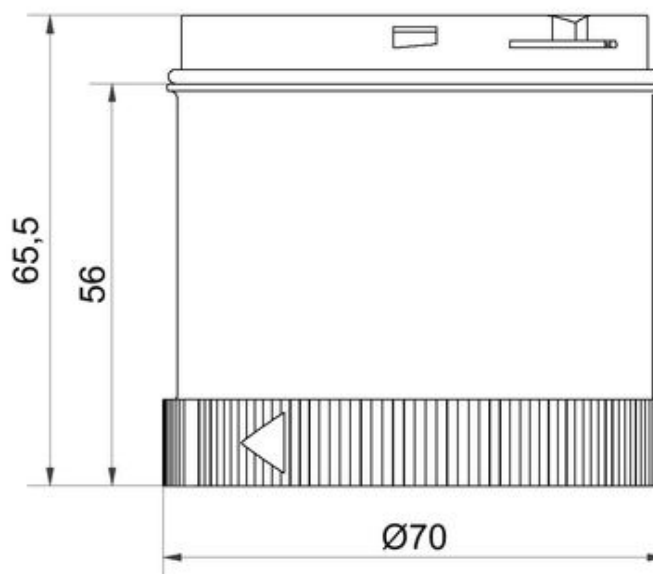
ELECTRICAL DATA	
Operating voltage	24V
Operating voltage type	AC/DC
Operating voltage type	50Hz
Operating voltage tolerance	+/- 10%
Rated operational voltage	24 VDC
Rated operational current	80 mA
Rated inrush current	500 mA
Protection class	Protection class 2
Pollution degree	3

OPTICAL DATA	
Light source	LED
Light colour	Green
Optical signal image	Blink Permanent TwinLight
Blink frequency (Hz)	1 Hz

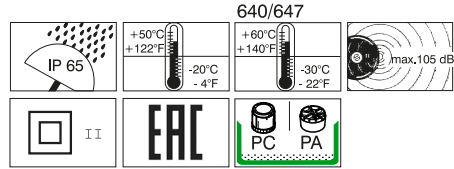
! For additional installation and mounting information, refer to the appropriate user guide at www.werma.com. This printed copy is for information only and is subject to alteration.

Modular Signal Towers / KombiSIGN 72 TwinLIGHT Classic 24VAC/DC GN

DRAWING

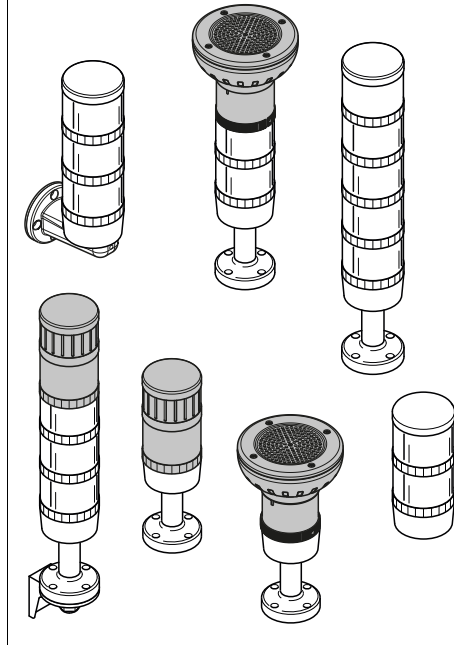


For additional installation and mounting information, refer to the appropriate user guide at www.werma.com. This printed copy is for information only and is subject to alteration.



UL c **UL** us
 D Teilweise, siehe Produktkennzeichnung.
 GB Partially, check the product label.
 F Partiellement, vérifiez sur étiquette du produit.

KombiSIGN 71/72



WERMA Signaltechnik GmbH + Co. KG
 D-78604 Riethem-Weilheim
 Telefon +49 (0)7424 / 9557-0
 Telefax +49 (0)7424 / 9557-44
 info@werma.com
 www.werma.com

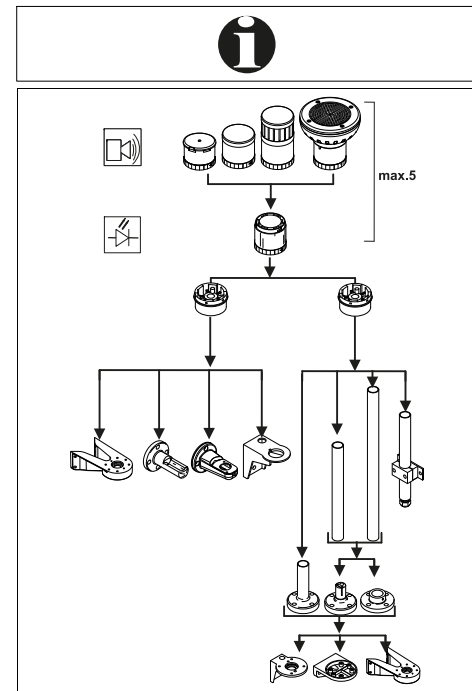
DANGER

II

D Anschluss **ausschließlich** durch ausgebildete Elektro-Fachkräfte.
 GB Electrical connection is to be made by trained electrical specialists **only**.
 F Le branchement doit **uniquement** être effectué par des professionnels.
 I Il collegamento deve essere eseguito **solo** da elettricisti specializzati.
 E La conexión **sólo** debe ser realizada por electricistas debidamente formados.
 PT A ligação deve ser feita **exclusivamente** por profissional elétrico especializado.
 NL De aansluiting mag **enkel** gebeuren door erkende vakmensen.
 CZ Připojení smí **provádět** pouze kvalifikovaný personál.
 PL Podłączenie **wyłącznie** przez specjalistów-elektryków.
 FI Liittäminen kuuluu **ainoastaan** koulutettujen sähköalan ammattilaisten tehtäviin.
 RUС Подключение проводится только специалистом-электриком.
 TR Bağlantı **sadece** eğitimli elektrik teknisyenleri tarafından yapılmalıdır.
 CN 布线需由专业电工执行

DANGER 644 x40 55
EVS 647 x20 55
647 x40 55

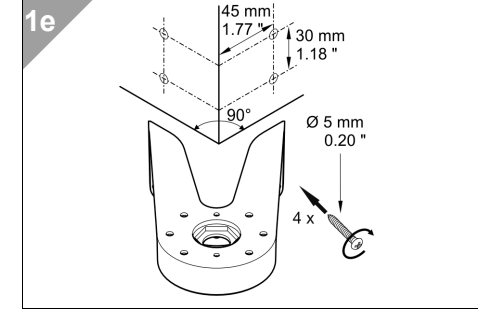
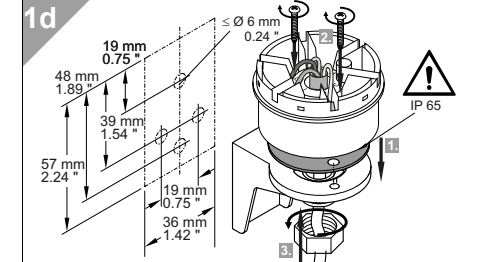
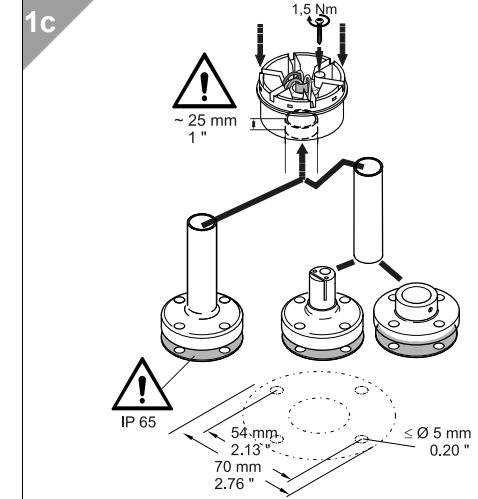
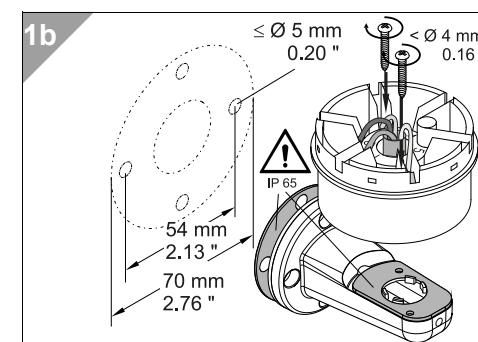
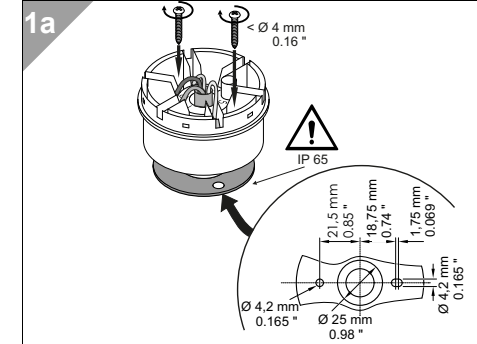
D Bei Epilepsie ungeeignet!
 GB Unsuitable for epilepsy sufferers.
 F Ne convient pas aux personnes souffrant d'épilepsie.
 I Inadatto per epilettici.
 E Inadecuado para epilépticos.
 PT Não aconselhave a pessoas que sofrem de Epilepsia.
 NL Niet geschikt voor epileptici.
 CZ Nevhodné pro epileptiky.
 PL Nie stosować przy zchorzeniu padaczkzi.
 FI Ei soveltu epileptikoille.
 RUС Не подходит для страдающих эпилепсией.
 TR Epilepsi hastalığı olanların kullanmaması önerilir.
 CN 不适用于癫痫病患者

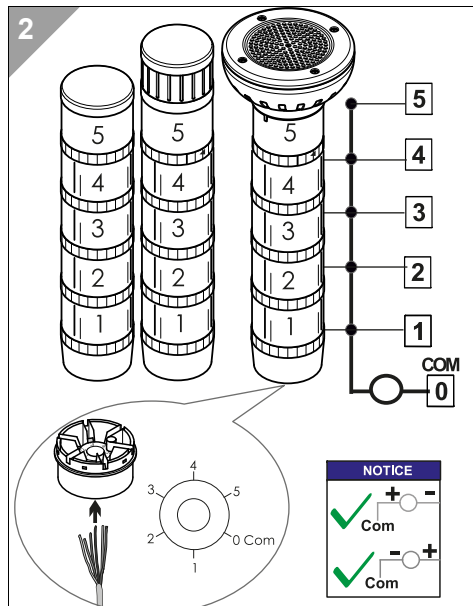


Terminal element	640 xx0 00	12-230 V≈	
	640 812 01	12-230 V≈	
TwinLIGHT	647 x10 75	24 V≈	< 80 mA
	647 x30 75	24 V≈	< 80 mA
TwinFLASH	647 x20 55	24 V=	< 80 mA
	647 x40 55	24 V=	< 80 mA
Multicolour	644 450 55	24 V=	< 120 mA
LED	644 x00 75	24 V≈	< 35 mA
Permanent	644 x00 67	115 V~	< 25 mA
	644 x00 68	230 V~	< 35 mA
LED	644 x10 75	24 V≈	< 30 mA
Blinking	644 x10 67	115 V~	< 25 mA
	644 x10 68	230 V~	< 35 mA
LED Flash	644 x20 55	24 V=	< 35 mA
LED	644 x30 75	24 V≈	< 40 mA
Rotating			
LED	644 x80 55	24 V=	< 190 mA
Ultrabright			
LED-EVS	644 x40 55	24 V=	< 350 mA
Xenon	643 x00 54	12 V=	195 mA
Flash	643 x00 55	24 V=	125 mA
(2Ws)	643 x00 67	115 V~	22 mA
	643 x00 68	230 V~	15 mA
	643 x10 55	24 V=	< 125 mA
Permanent	641 x00 00	12-230 V≈	
	956 x00 75	24 V≈	< 45 mA
	956 x00 67	115 V~	< 15 mA
BA 15 d	956 x00 68	230 V~	< 15 mA

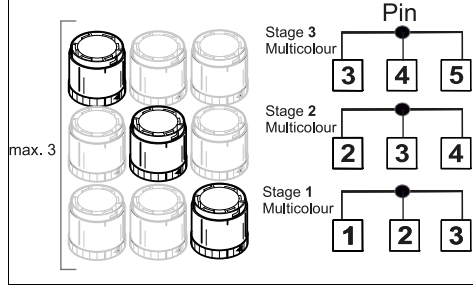
	955 840 34	12 V	5W
	955 840 35	24 V	5W
	955 840 38	230 V	5W
	955 840 57	115 V	5W
	645 870 75	24 V≈	< 40mA
	645 870 67	115 V~	< 60mA
	645 870 68	230 V~	< 60mA
	645 102 75	24 V≈	< 40mA
< 85 dB connector"/>	645 800 75	24 V≈	< 25 mA
	645 800 77	115 V~	< 35 mA
	645 800 68	230 V~	< 35 mA
< 102 dB connector"/>	645 x90 75	24 V≈	< 30 mA
	645 890 60	115-230 V~	< 45 mA
< 100 dB connector"/>	645 850 55	24 V=	< 80 mA
	645 810 55	24 V=	< 150 mA
< 88 dB connector"/>	645 840 55	24 V=	< 400 mA
< 102 dB connector"/>	645 860 55	24 V=	< 400 mA
< 105 dB connector"/>	645 830 55	24 V=	< 100 mA

1
 1a: 640 x00 00, 640 820 00
 1b: 640 x00 00, 640 820 00 + 975 840 85, 960 000 52, 975 840 86
 1c: 640 x10 00, 640 812 01, 640 830 00 + 975 840 10, 960 000 51, 975 840 90, 960 000 50, 975 840 91, ...
 1d: 640 x00 00, 640 820 00 + 960 000 02, 960 000 53, 960 000 01, 960 000 54
 1e: 940 000 41

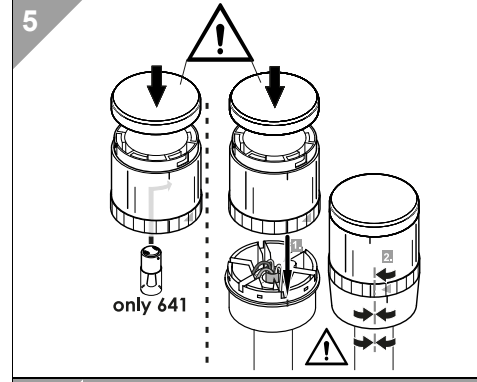
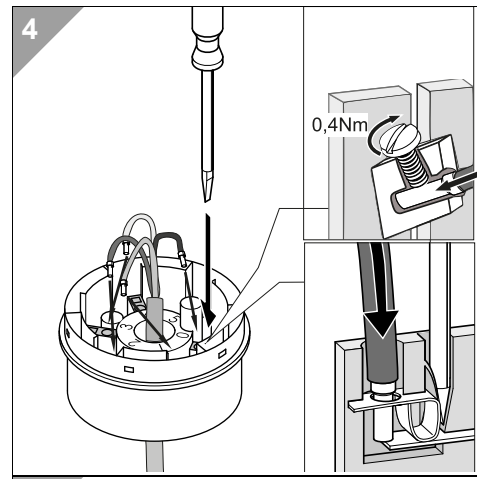
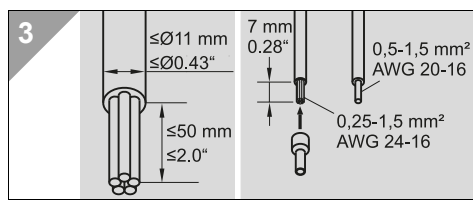




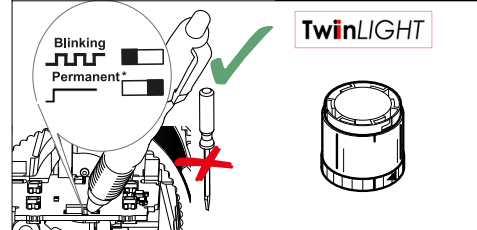
NOTICE
Multicolour 644 450 55



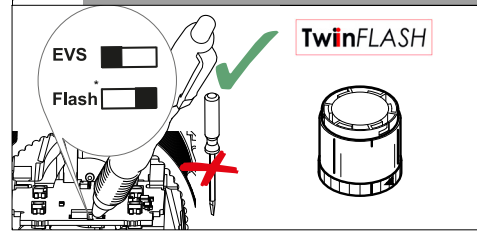
Colour (RD)	24V		
Colour (GN)		24V	
Colour (YE)	24V	24V	
Colour (BU)			24V
Colour (WH)	24V	24V	24V
Colour (TQ)		24V	24V
Colour (VT)	24V		24V



6a 647 x10 75
647 x30 75
* = Default setting

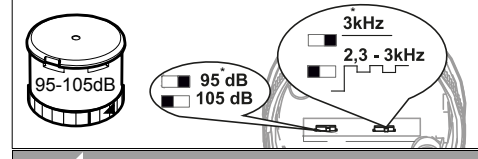


6b 647 x20 55
647 x40 55
* = Default setting



7 **WARNING**
max. 85-105dB
NOTICE
dB = dB A (SPL) 1m

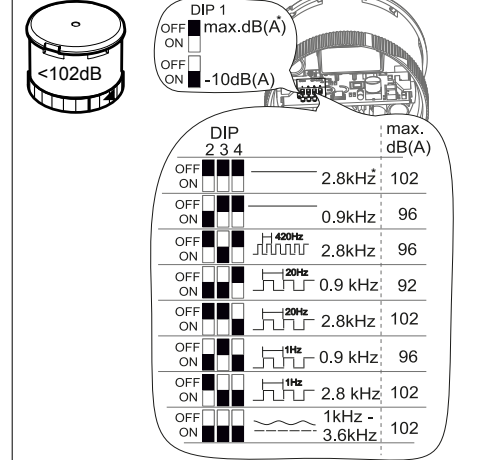
7a 645 870 xx
645 102 75
* = Default setting



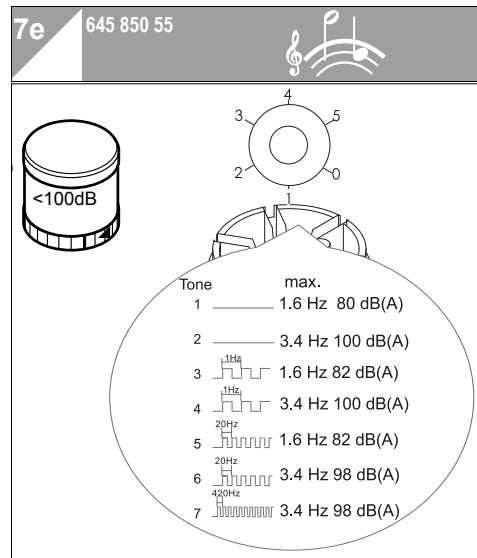
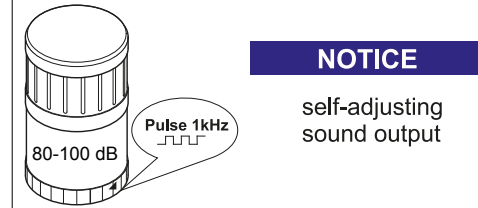
7b 645 800 xx
* = Default setting



7c 645 x90 xx
* = Default setting



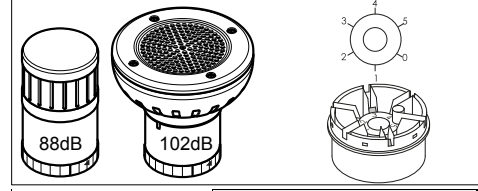
7d 645 810 55



Tone	Pin terminal element				
	1	2	3	4	5
1	+24V	+24V	NC		
2	+24V	+24V	+24V		
3	+24V	NC	NC		
4	+24V	NC	+24V		
5	NC	+24V	NC		
6	NC	+24V	+24V		
7	NC	NC	+24V		
1		+24V	+24V	NC	
2		+24V	+24V	+24V	
3		+24V	NC	NC	
4		+24V	NC	+24V	
5		NC	+24V	NC	
6		NC	+24V	+24V	
7		NC	NC	+24V	
1			+24V	+24V	
3			+24V	NC	
5			NC	+24V	
3					+24V

7f 645 840 55
645 860 55

NOTICE
Handbuch auf dem Sprachausgabeelement beachten.
Notice the manual on the vocal element



Tone	Pin terminal element				
	1	2	3	4	5
1		+24V	NC	NC	NC
2		NC	+24V	NC	NC
3		+24V	+24V	NC	NC
4		NC	NC	+24V	NC
5		+24V	NC	+24V	NC
6		NC	+24V	+24V	NC
7		+24V	+24V	+24V	NC
8	+24V	NC	NC	NC	+24V
9	+24V	NC	NC	NC	+24V
10		NC	+24V	NC	+24V
11		+24V	+24V	NC	+24V
12		NC	NC	+24V	+24V
13		+24V	NC	+24V	+24V
14		NC	+24V	+24V	+24V
15		+24V	+24V	+24V	+24V
1			+24V	NC	NC
2			NC	+24V	NC
3			+24V	+24V	NC
4		+24V	NC	NC	+24V
5		+24V	NC	+24V	
6		NC	+24V	+24V	
7		+24V	+24V	+24V	
1				+24V	NC
2			+24V	NC	+24V
3				+24V	+24V
1				+24V	+24V

931064000101_AL
310.640.001
WERMA
www.krea-team.de