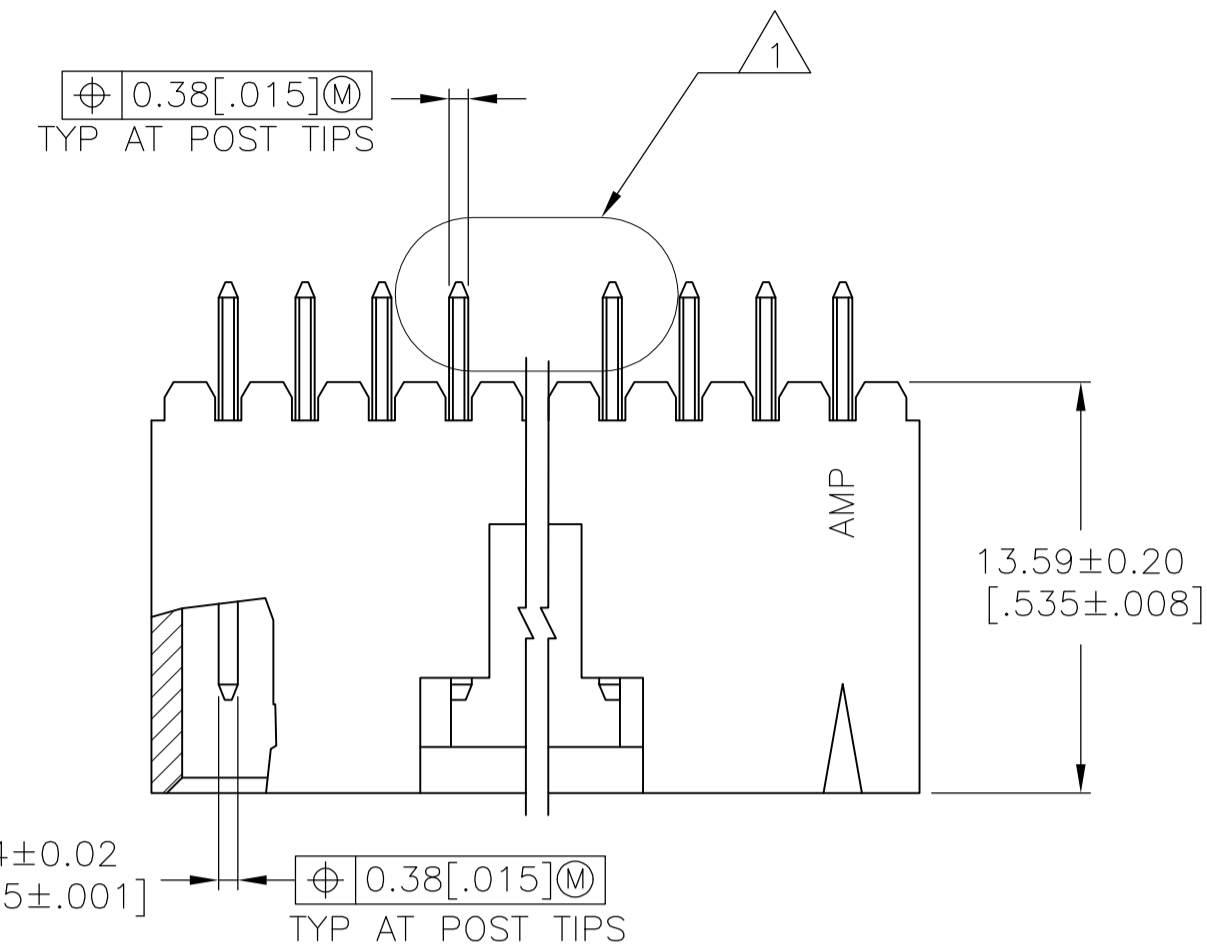
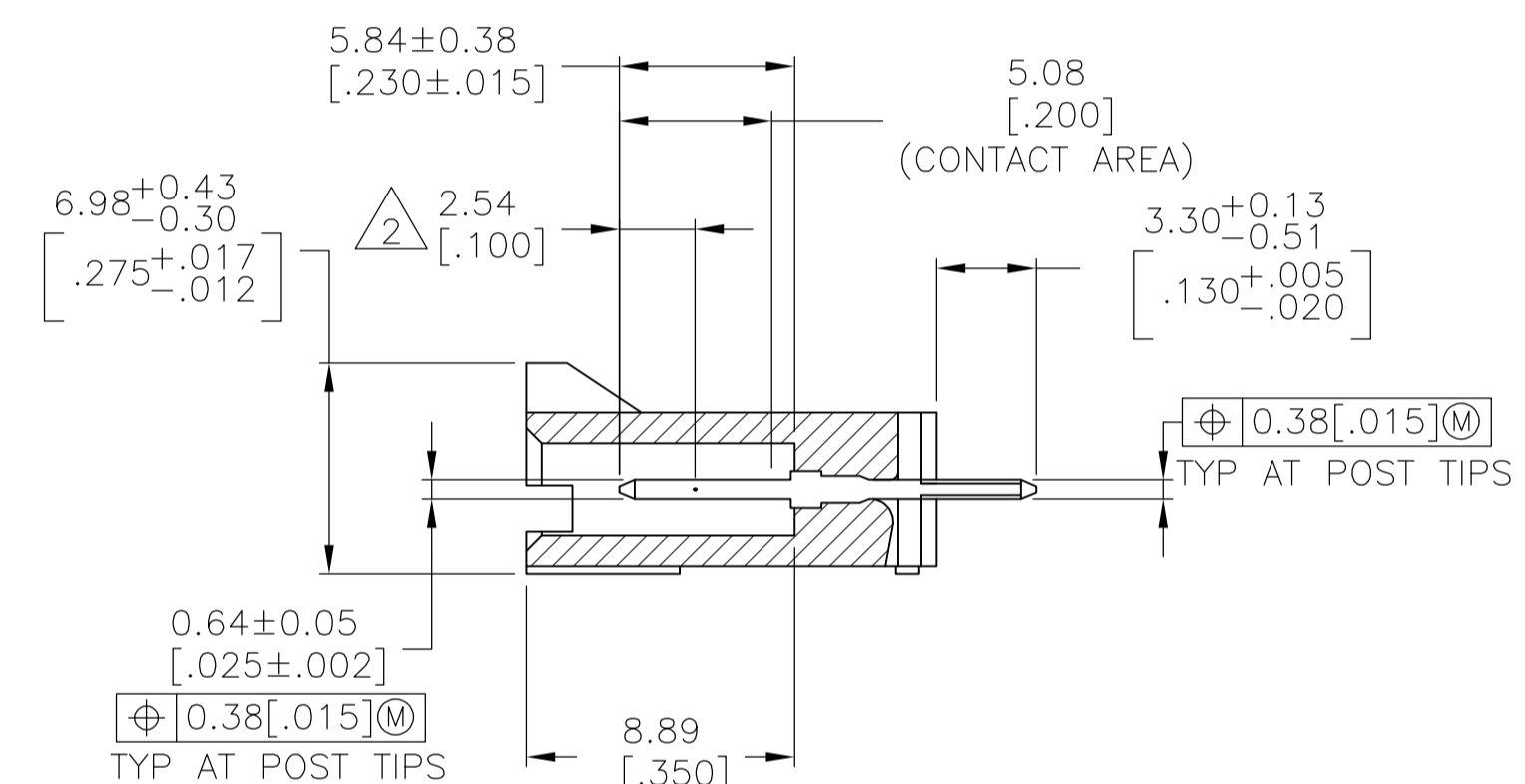
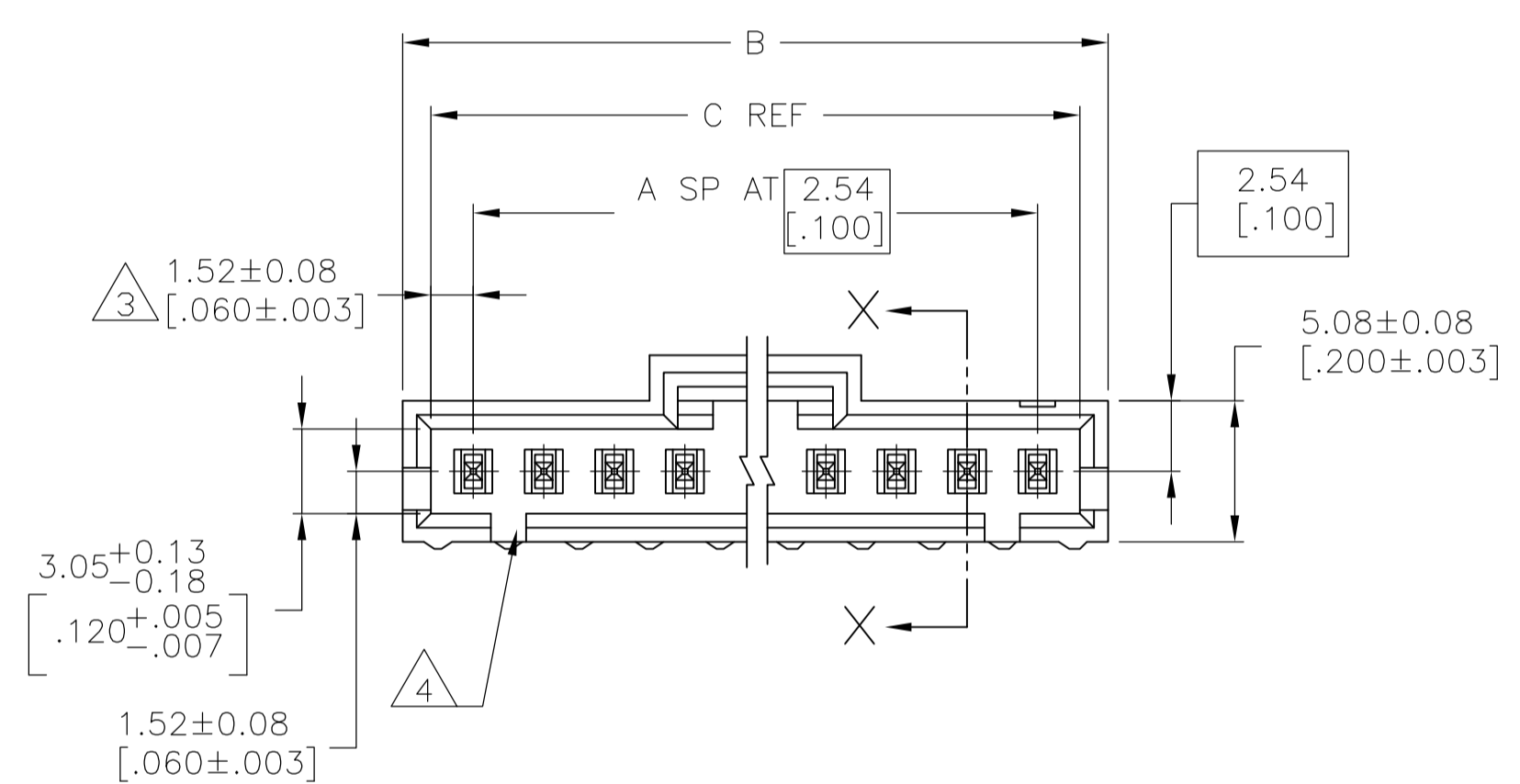


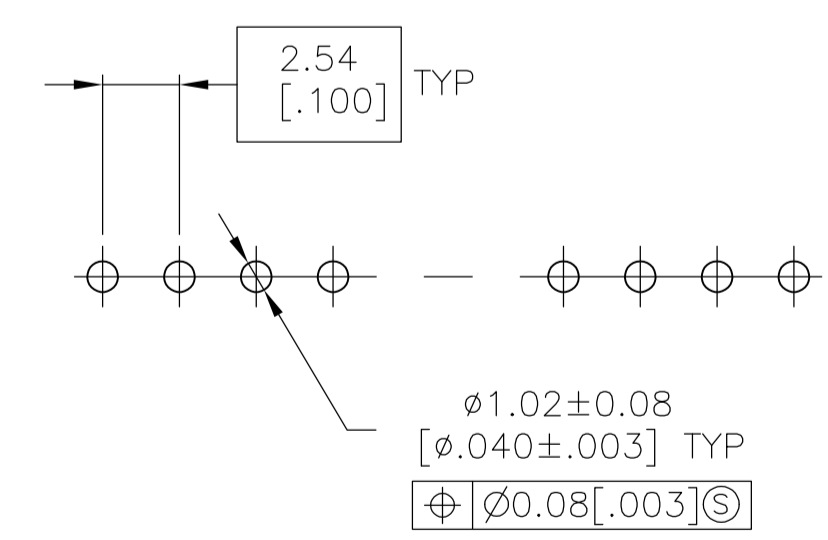
REVISIONS					
P	LTR	DESCRIPTION	DATE	DMN	APVD
S2		REVISED PER ECO-11-004587	11MAR11	RK	HMR
T		REVISED PER ECO-17-002584	11APR2017	BDA	MM



DETAIL Z
POST DETAIL TYP
2 POST MINIMUM



SECTION X-X



RECOMMENDED HOLE LAYOUT

- 1 .00038[.000015] GOLD IN THE CONTACT AREA, .00254[.000100] MATTE TIN-LEAD ON REMAINDER OF CONTACT, ALL OVER .00127[.000050] NICKEL.
- 2 POINT OF MEASUREMENT FOR PLATING THICKNESS.
- 3 THE NOTED DIMENSIONS APPLY AT THE INTERSECTION OF THE POST AND THE HOUSING.
- 4 ON ASSEMBLIES WITH FOUR OR MORE POSITIONS, TWO POLARIZATION SLOTS. ON ASSEMBLIES WITH TWO OR THREE POSITIONS, ONE POLARIZATION SLOT.
- 5 SELECT POST TAILS FORMED TO PROVIDE CONNECTOR HOLD DOWN UNTIL SOLDERED. CONFIGURATION ACCEPTS 0.69[.027]-2.03[.080] THICK PRINTED CIRCUIT BOARD. (SEE DETAIL Z).
- 6 OBSOLETE PARTS: OBSOLETE CIS STREAMLINING PER D.RENAUD/D.SINISI

	64.01 [2.520]	65.91 [2.595]	24	25	2-103670-4
	61.47 [2.420]	63.37 [2.495]	23	24	2-103670-3
6 OBSOLETE	58.93 [2.320]	60.83 [2.395]	22	23	2-103670-2
	56.39 [2.220]	58.29 [2.295]	21	22	2-103670-1
6 SUPERCEDED BY 7-104909-0	53.85 [2.120]	55.75 [2.195]	20	21	2-103670-0
	51.31 [2.020]	53.21 [2.095]	19	20	1-103670-9
6 SUPERCEDED BY 6-104909-8	48.77 [1.920]	50.67 [1.995]	18	19	1-103670-8
	46.23 [1.820]	48.13 [1.895]	17	18	1-103670-7
	43.69 [1.720]	45.59 [1.795]	16	17	1-103670-6
	41.15 [1.620]	43.05 [1.695]	15	16	1-103670-5
	38.61 [1.520]	40.51 [1.595]	14	15	1-103670-4
	36.07 [1.420]	37.97 [1.495]	13	14	1-103670-3
	33.53 [1.320]	35.43 [1.395]	12	13	1-103670-2
	30.99 [1.220]	32.89 [1.295]	11	12	1-103670-1
	28.45 [1.120]	30.35 [1.195]	10	11	1-103670-0
	25.91 [1.020]	27.81 [1.095]	9	10	103670-9
	23.37 [0.920]	25.27 [0.995]	8	9	103670-8
	20.83 [0.820]	22.73 [0.895]	7	8	103670-7
	18.29 [0.720]	20.19 [0.795]	6	7	103670-6
	15.75 [0.620]	17.65 [0.695]	5	6	103670-5
	13.21 [0.520]	15.11 [0.595]	4	5	103670-4
	10.67 [0.420]	12.57 [0.495]	3	4	103670-3
	8.13 [0.320]	10.03 [0.395]	2	3	103670-2
	5.59 [0.220]	7.49 [0.295]	1	2	103670-1
	C	B	A	NO OF POSN	PART NO.

THIS DRAWING IS A CONTROLLED DOCUMENT.

DIMENSIONS: mm [INCHES]
 TOLERANCES UNLESS OTHERWISE SPECIFIED:
 0 PLC ± -
 1 PLC ± -
 2 PLC ± 0.13[.005]
 3 PLC ± -
 4 PLC ± -
 ANGLES ± -

MATERIAL: M.P. COLOR = BLACK CONTACTS: BRASS
 FINISH: 1

DWG: S. SHUEY 3-5-91
 CHK: M. RIDER 2-14-92
 APVD: M. RIDER 2-14-92
 NAME: M. RIDER
 PRODUCT SPEC: 108-25034
 APPLICATION SPEC: 114-25026
 WEIGHT: -
 CUSTOMER DRAWING

HDY: S. SHUEY 3-5-91
 CHK: M. RIDER 2-14-92
 APVD: M. RIDER 2-14-92
 NAME: M. RIDER
 PRODUCT SPEC: 108-25034
 APPLICATION SPEC: 114-25026
 WEIGHT: -
 CUSTOMER DRAWING

STE TE Connectivity
 HDR ASSY, VERT, SINGLE ROW
 2.54[.100] CL, 0.64[.025] SQ POST,
 WITH PLZN & RETENTIVE POSTS, AMPMODU MTE

SIZE: A1
 CAGE CODE: 00779
 DRAWING NO: 103670
 SCALE: 4:1
 SHEET: 1 OF 1
 REV: T

Mouser Electronics

Authorized Distributor

Click to View Pricing, Inventory, Delivery & Lifecycle Information:

[TE Connectivity:](#)

[103670-9](#)