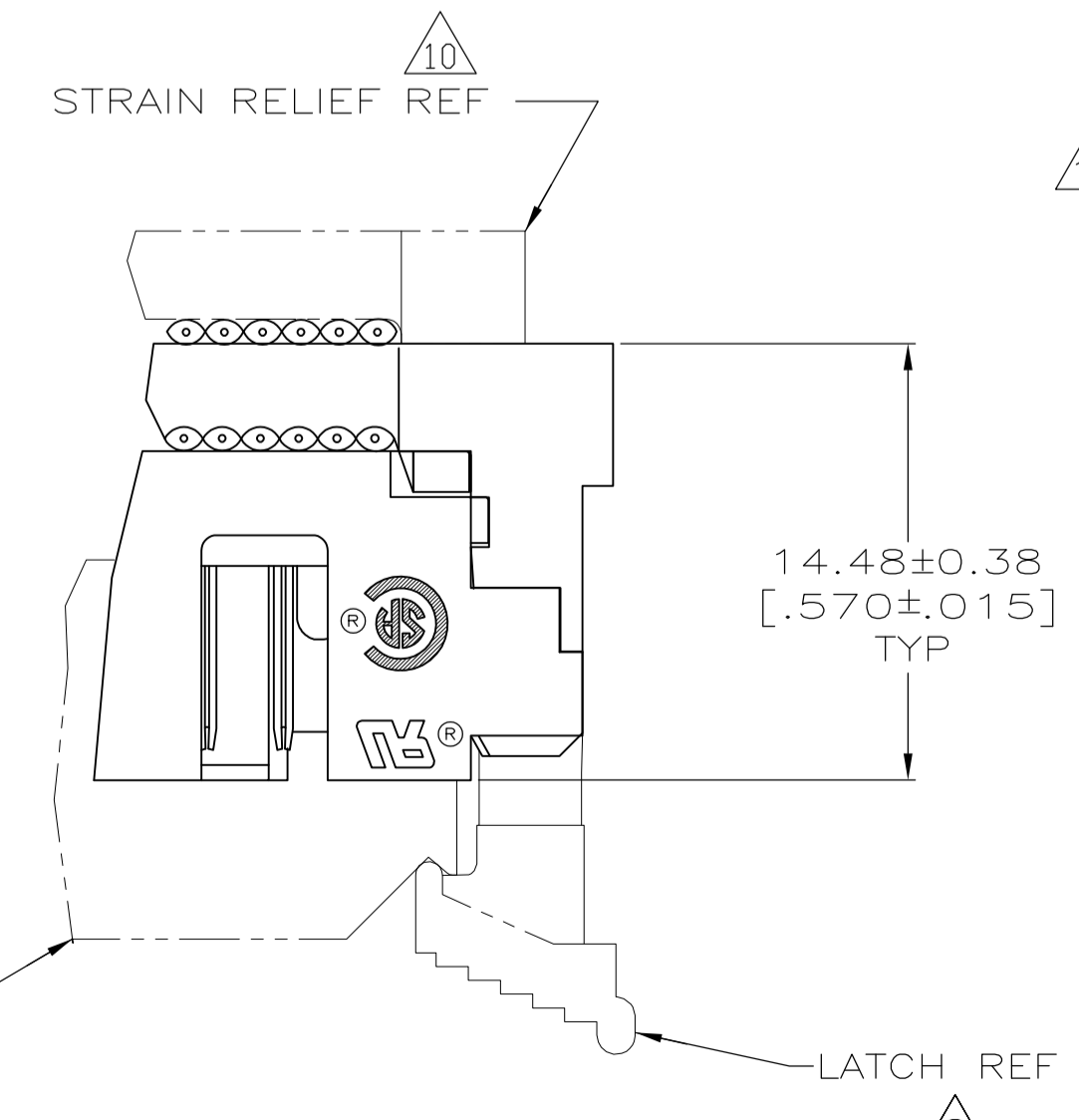
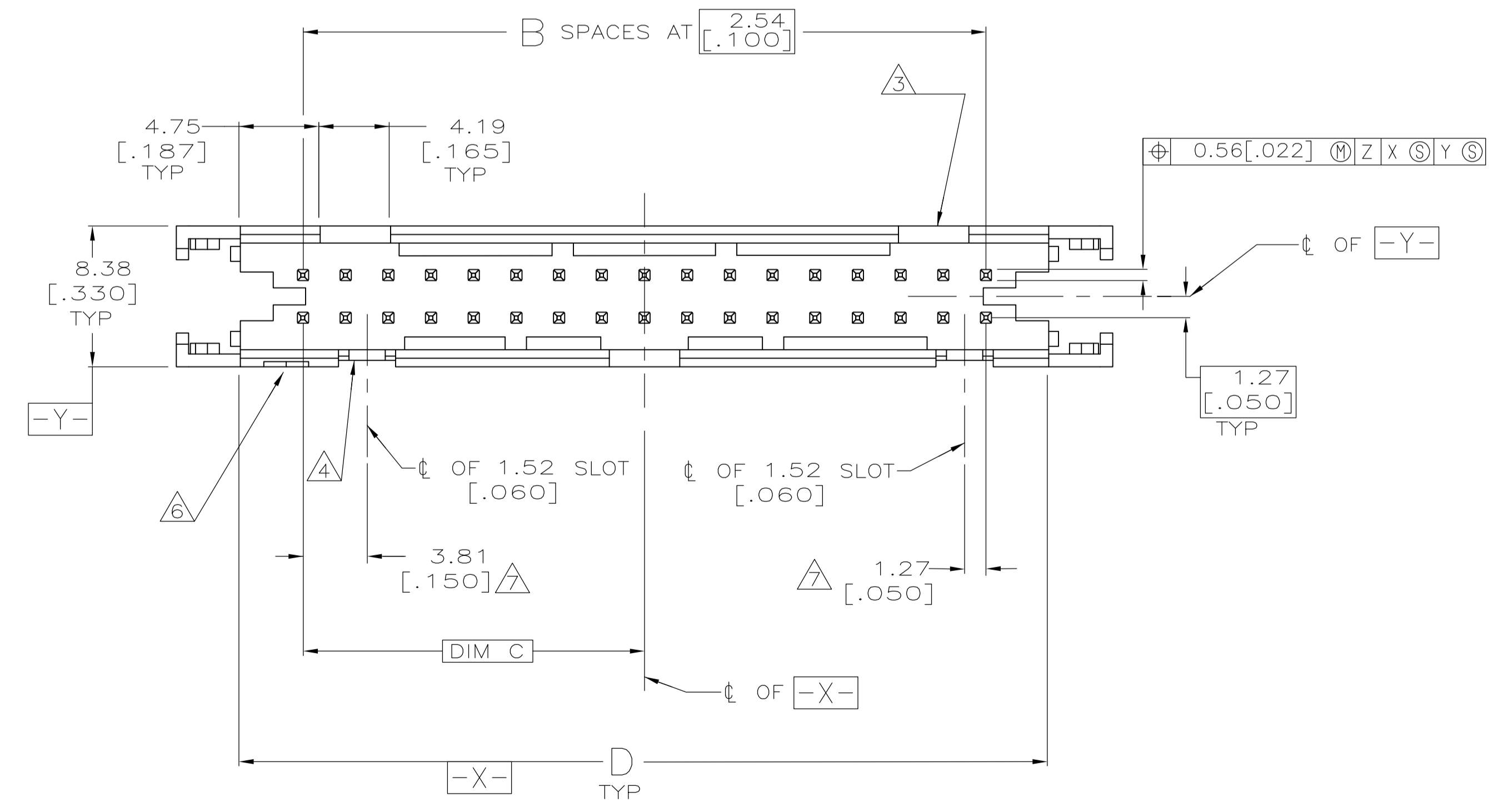
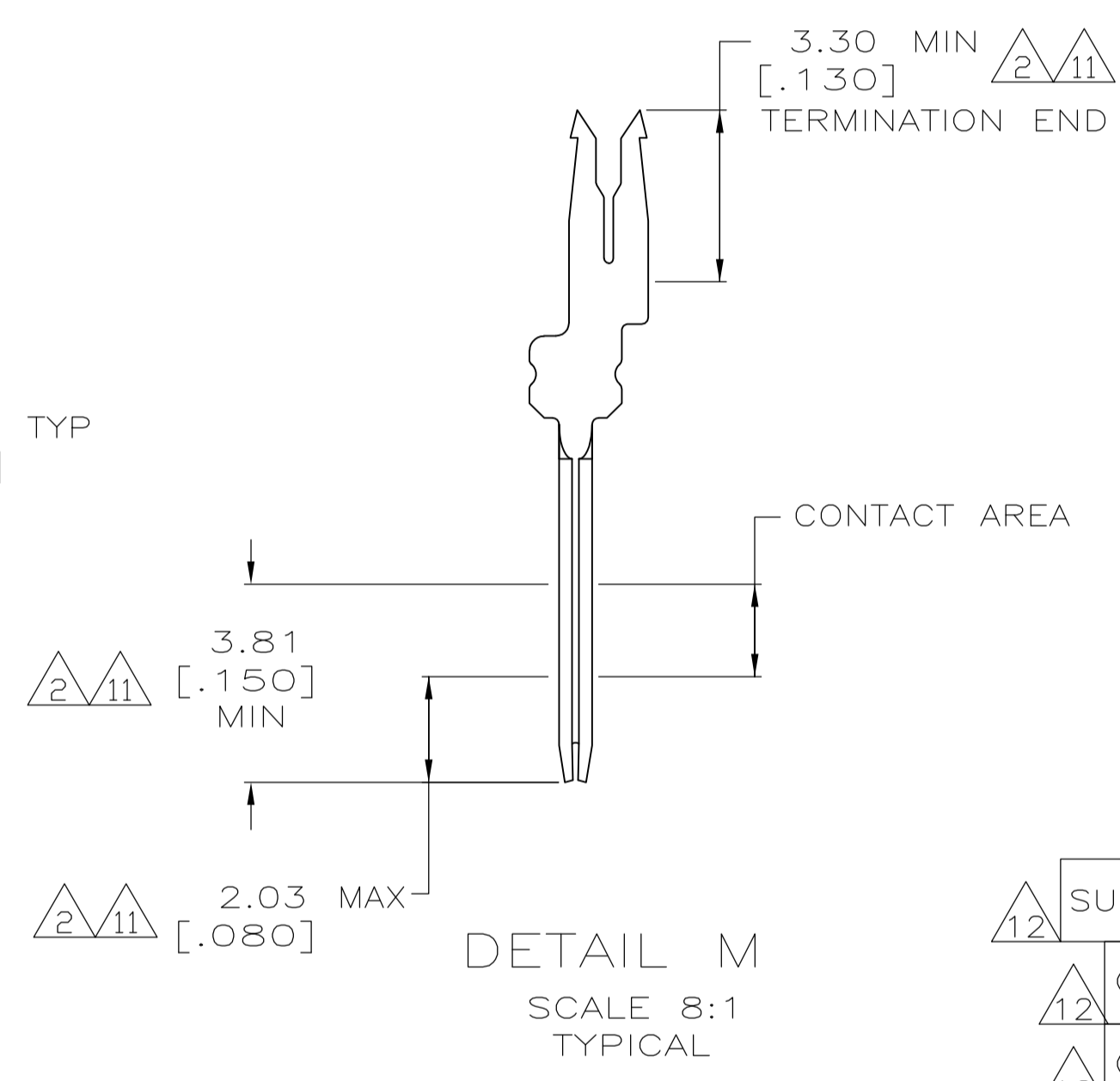
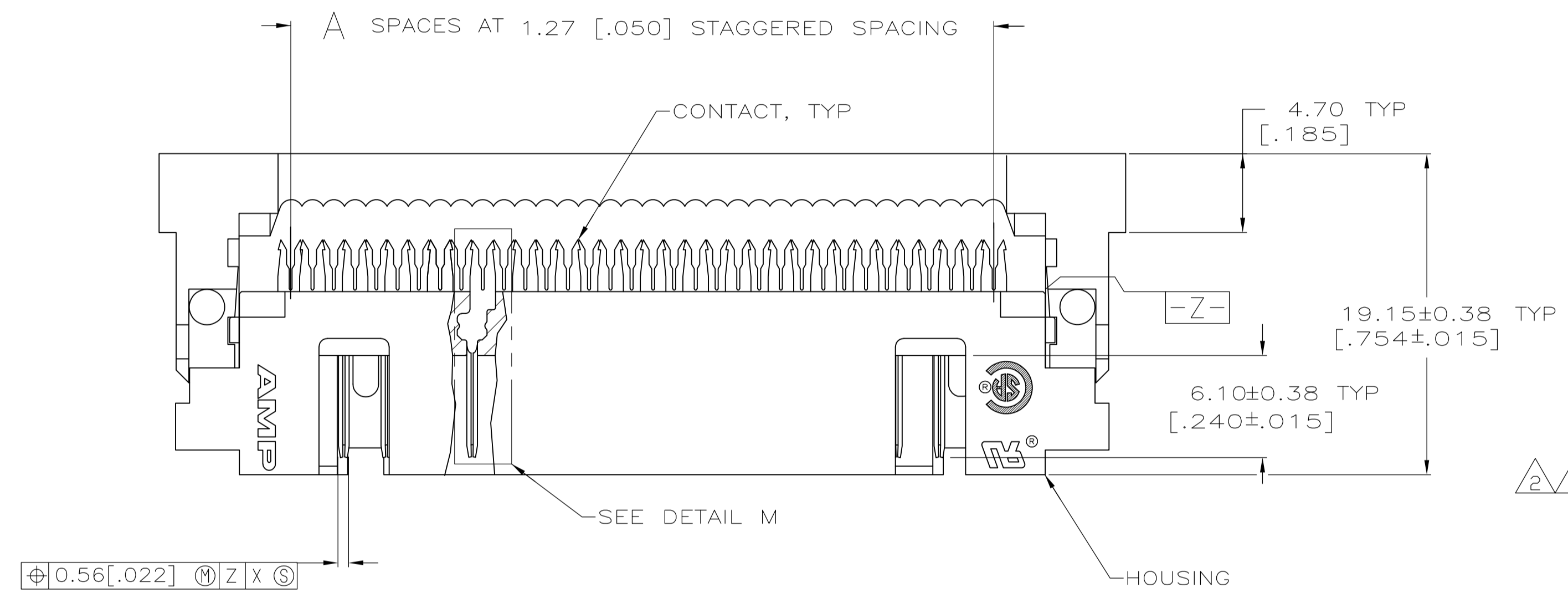
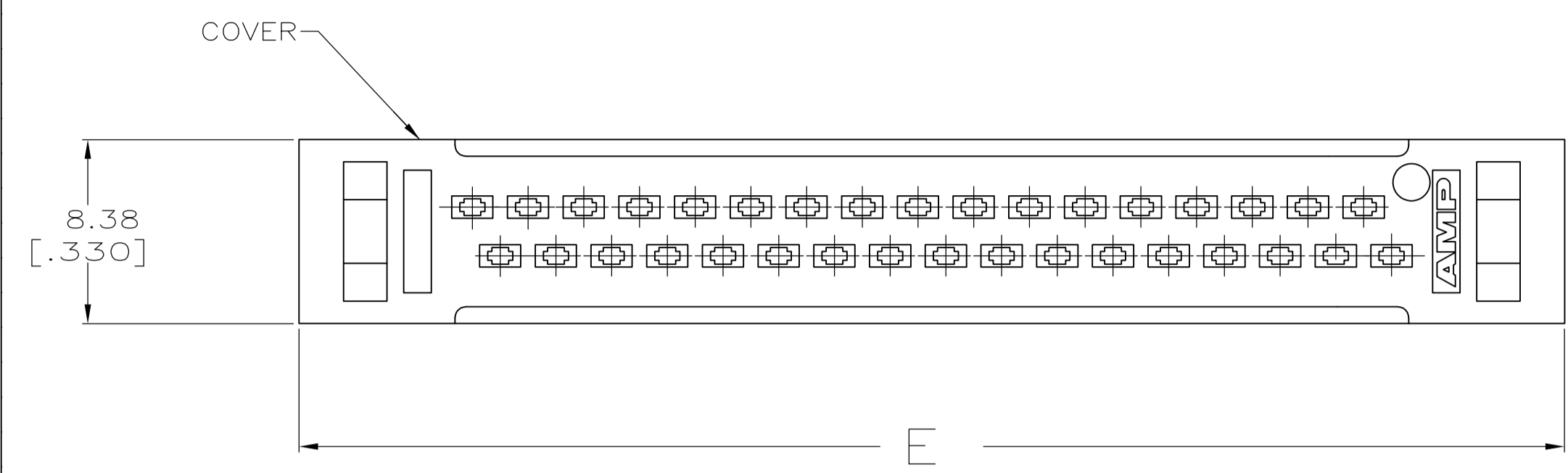


- 1 FLAME RETARDANT 94V-0 RATED THERMOPLASTIC; BLACK.
- 2 2.54µm [.000100] MIN MATTE TIN-LEAD ON TERMINATION END, 0.76µm [.000030] MIN GOLD ON CONTACT AREA, ALL OVER 1.27µm [.000050] MIN NICKEL.
-OR-
GOLD FLASH OVER PALLADIUM-NICKEL 0.76µm [.000030] TOTAL ON CONTACT AREA, 2.54µm [.000100] MIN BRIGHT TIN-LEAD ON TERMINATION END, ALL OVER 1.27µm [.000050] MIN NICKEL.
- 3 NO SLOT ON THIS END FOR TEN POSITION HOUSINGS.
- 4 NO SLOT FOR SNAP-IN POLARIZER ON THIS END FOR 10 AND 14 POSITION HOUSINGS.
- 5 FOR MILITARY POLARIZATION, ORDER SNAP-IN POLARIZER 499991-2 (BULK PACK OF 50).
- 6 POSITION NO 1 INDICATOR.
- 7 COORDINATE DIMENSION APPLIES FROM CENTER OF ACTUAL FEATURE.
- 8 FOR LATCHES ORDER 111451, 2 PER ASSEMBLY.
- 9 PHOSPHOR BRONZE PER QQ-B-750.

- 10 STRAIN RELIEF 111547 MUST BE ORDERED SEPARATELY.
- 11 2.54µm [.000100] MIN MATTE TIN ON TERMINATION END, 0.76µm [.000030] MIN GOLD ON CONTACT AREA, ALL OVER 1.27µm [.000050] MIN NICKEL.
-OR-
GOLD FLASH OVER PALLADIUM-NICKEL 0.76µm [.000030] TOTAL ON CONTACT AREA, 2.54µm [.000100] MIN MATTE TIN ON TERMINATION END, ALL OVER 1.27µm [.000050] MIN NICKEL.
- 12 OBSOLETE PARTS: OBSOLETE CIS STREAMLINING PER D. RENAUD/D. SINISI.



11	95.81	86.21	39.37	31	63	64	2-111446-6	
11	[3.772]	[3.394]	[1.550]					
11	89.59	81.13	36.83	29	59	60	2-111446-5	
11	[3.527]	[3.194]	[1.450]					
11	70.41	60.81	26.67	21	43	44	2-111446-4	
11	[2.772]	[2.394]	[1.050]					
11	65.33	55.73	24.13	19	39	40	2-111446-3	
11	[2.572]	[2.194]	[.950]					
11	57.71	48.11	20.32	16	33	34	2-111446-2	
11	[2.272]	[1.894]	[.800]					
11	52.63	43.03	17.78	14	29	30	2-111446-1	
11	[2.072]	[1.694]	[.700]					
11	47.55	37.95	15.24	12	25	26	2-111446-0	
11	[1.872]	[1.494]	[.600]					
11	45.01	35.41	13.97	11	23	24	1-111446-9	
11	[1.772]	[1.394]	[.550]					
11	39.93	30.33	11.43	9	19	20	1-111446-8	
11	[1.572]	[1.194]	[.450]					
11	78.03	68.43	30.48	24	49	50	1-111446-7	
11	[3.072]	[2.694]	[1.200]					
11	34.85	25.25	8.89	7	15	16	1-111446-6	
11	[1.372]	[.994]	[.350]					
11	32.31	22.71	7.62	6	13	14	1-111446-5	
11	[1.272]	[.894]	[.300]					
11	27.230	17.63	5.08	4	9	10	1-111446-4	
11	[1.072]	[.694]	[.200]					
12	SUPERCEDED	95.81	86.21	39.37	31	63	64	2-111446-3
12	OBSOLETE	89.59	81.13	36.83	29	59	60	1-111446-2
12	OBSOLETE	[3.527]	[3.194]	[1.450]				
12	OBSOLETE	70.41	60.81	26.67	21	43	44	1-111446-0
12	OBSOLETE	[2.772]	[2.394]	[1.050]				
12	OBSOLETE	65.33	55.73	24.13	19	39	40	111446-9
12	OBSOLETE	[2.572]	[2.194]	[.950]				
12	OBSOLETE	57.71	48.11	20.32	16	33	34	111446-8
12	OBSOLETE	[2.272]	[1.894]	[.800]				
12	SUPERCEDED	52.63	43.03	17.78	14	29	30	111446-7
12	OBSOLETE	[2.072]	[1.694]	[.700]				
12	OBSOLETE	47.55	37.95	15.24	12	25	26	111446-6
12	OBSOLETE	[1.872]	[1.494]	[.600]				
12	OBSOLETE	45.01	35.41	13.97	11	23	24	111446-5
12	OBSOLETE	[1.772]	[1.394]	[.550]				
12	OBSOLETE	39.93	30.33	11.43	9	19	20	111446-4
12	OBSOLETE	[1.572]	[1.194]	[.450]				
12	OBSOLETE	34.85	25.25	8.89	7	15	16	111446-3
12	OBSOLETE	[1.372]	[.994]	[.350]				
12	OBSOLETE	32.31	22.71	7.62	6	13	14	111446-2
12	OBSOLETE	[1.272]	[.894]	[.300]				
12	OBSOLETE	27.230	17.63	5.08	4	9	10	111446-1
12	OBSOLETE	[1.072]	[.694]	[.200]				

CONTACT FINISH	E	D	C	B	A	NO OF POSN	PART NUMBER

THIS DRAWING IS A CONTROLLED DOCUMENT.		DIN H MOLL 7-11-90	 TE Connectivity
DIMENSIONS: mm [INCHES]		8-1-90	
TOLERANCES UNLESS OTHERWISE SPECIFIED:		F.M. HEINRY	NAME
0 PLC ± .01	1 PLC ± .01	D. HOFFMAN	UNIV I/O PIN CONN, WITHOUT MOUNTING EARS, AMP-LATCH™
2 PLC ± 0.13[.005]	3 PLC ± .01		PRODUCT SPEC
4 PLC ± .01	ANGLES ± .01		108-1336
			APPLICATION SPEC
			114-7011
MATERIAL	FINISH	WEIGHT	SIZE CASE CODE DRAWING NO
1 9	CONTACTS: SEE TABLE		A1 00779 111446
			RESTRICTED TO
			CUSTOMER DRAWING
			SCALE 4:1 SHEET 1 OF 1 REV R

Mouser Electronics

Authorized Distributor

Click to View Pricing, Inventory, Delivery & Lifecycle Information:

[TE Connectivity:](#)

[1-111446-7](#)