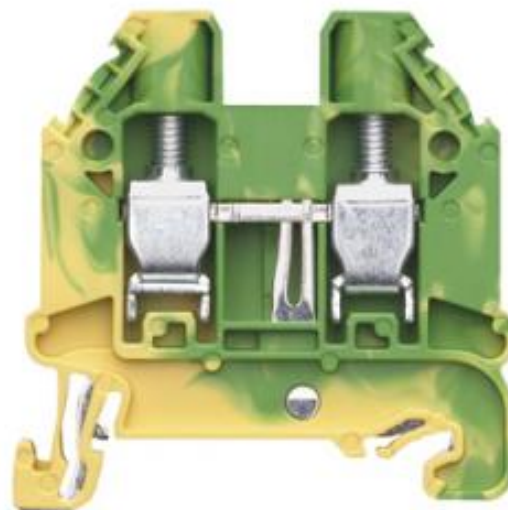


Datasheet

Art.No. 58.506.9055.0

Earth terminal WT 6 PE

Ground DIN rail terminal block with screw connection for mounting on TS 35; nominal cross section 6 mm²; width 8 mm; color green/yel low



Art.No.	58.506.9055.0
EAN	4049088154072
Order unit	100 pieces

Approvals



Technical data

General

Nominal cross section	6 mm ²
Colour	Green/yellow
Number of levels	1
Number of clamp positions per level	2
Width/grid dimension	8 mm
Insulating housing	PA666
Inflammability class of insulation material acc. with UL94	V0
Mounting method	DIN rail (top hat rail)
Terminal blocks for electrical installations	Yes

Technical data

Rated voltage	1000 V
Rated impulse voltage	8 kV
Pollution degree	3
Closing plate required	Yes
Type of insulation material	Thermoplastic
Length	48 mm

Connection Data

Connection type 1	Screw connection
Connection type 2	Screw connection
Minimum cross section solid	0.2 mm ²
Maximum cross section solid	10 mm ²

Minimum cross section fine stranded	0.2 mm ²
Maximum cross section fine stranded	10 mm ²
Maximum conductor cross section (flex., stranded) with cable end sleeve	0.5 mm ²
Maximum conductor cross section (flex., stranded) with cable end sleeve	6 mm ²
Wire strip length	11 mm
Torque conductor mounting	1.2 Nm

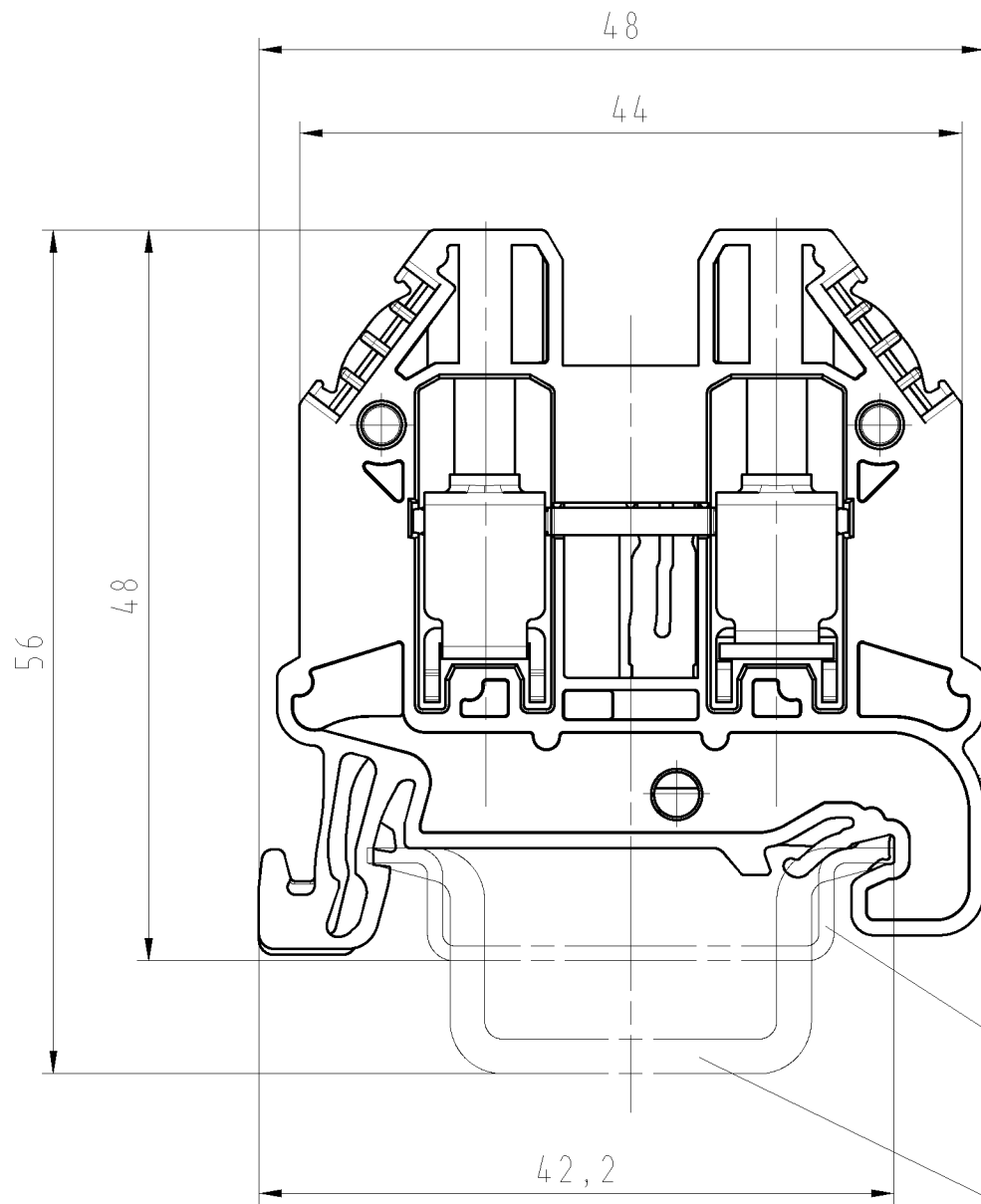
Technical Data UL/CSA

Cross section UL	24-8 AWG
Voltage UL	600 V
Cross section CSA	24-8 AWG
Voltage CSA	600 V

These dimensions will be especially checked at delivery
 Only inspection dimensions
 With /E marked dimensions are only valid for internal use

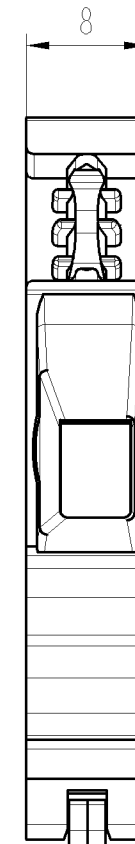
Diese Maße werden bei Abnahme besonders geprüft
 Ausschließlich Prüfmaße
 Mit /E gekennzeichnete Maße sind nur für interne Zwecke gültig

○

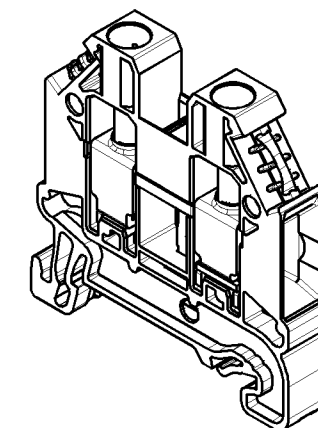


Hutschiene EN 60715-35x7,5
 mounting rail EN 60715-35x7,5

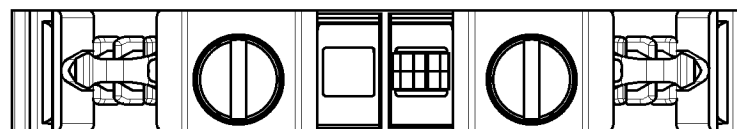
Hutschiene EN 60715-35x15
 mounting rail EN 60715-35x15



M/scale 1:1



* = spezielle Verpackung / special package



Teile-Nr. part-no.	Farbe color
58.506.9055.0	grün/gelb (marmoriert)
* 58.506.9095.0	green/yellow (marmorated)

Tolerierung nach DIN 7167/Tolerance system acc. to DIN 7167. (This DIN-standard describes the envelope principle. According to the envelope principle the deviations of form and parallelism are limited by the size tolerances).				ja/yes <input checked="" type="checkbox"/> Stoffverbots- und Deklarationsliste nach UU-TOM-05/03 ist einzuhalten. Conformity with Wieland document UU-TOM-05/03 (list of prohibited / declarable hazardous substances) to be declared!			
Freitoleranz nach General tolerance		CAD - Zeichnung, keine manuellen Änderungen CAD - drawing, no manual modifications allowed		1. Verwendung: - First Use:		Blatt: 1 von 1 Sheet: of	
/		Werkstoff/Material		2013 Tag/Date Name		Zeichnung Nr./Drawing No. Index	
/		Maßstab/Scale		gezeichnet drawn 21.01 Eller		T 58.506.9055.0 01K	
/		2:1		geprüft checked - -		Maße in mm/Dimensions are in mm	
/		Vol. mm ³ Ofl./Surf. mm ²		Normgepr. Stand. check - -		Ersatz für/Replacement for: -	
/		wieland		Type		Benennung/Title	
/		Elektrische Verbindungen		WT 6 PE		SCHUTZLEITERKLEMME protective conductor terminal	
Index Datum / Blatt Date / Sheet		Änderung/Revision					

585069055001K_2_CADW3070_U0016728_2013-01-22T09:56:01 1.000