

**PLEASE CHECK WWW.MOLEX.COM FOR LATEST PART INFORMATION**

**Part Number:** [0475891001](#)  
**Status:** **Active**  
**Overview:** [USB Products and Solutions](#)  
**Description:** Micro-USB AB Receptacle, Bottom-Mount, Surface Mount, Matte Tin Plated Shell, Lead-Free

**Documents:**

<a href="#">3D Model</a>	<a href="#">Product Specification PS-47589-001-001 (PDF)</a>
<a href="#">3D Model (PDF)</a>	<a href="#">Packaging Specification PK-47589-001-001 (PDF)</a>
<a href="#">Drawing (PDF)</a>	<a href="#">RoHS Certificate of Compliance (PDF)</a>

**Agency Certification**

UL E107635

**General**

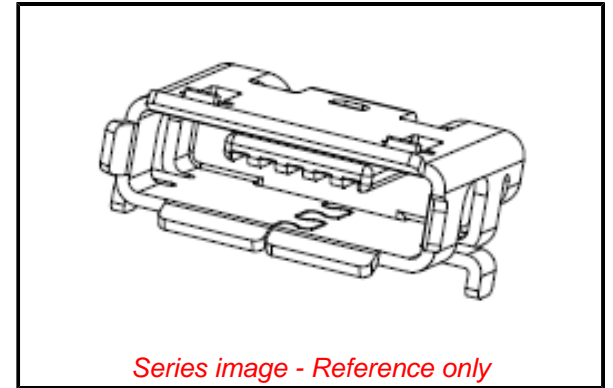
Product Family	I/O Connectors
Series	<a href="#">47589</a>
Application	Wire-to-Board
Comments	Signal contacts 1.0A, Power contacts 1.8A, Signal contacts 1.0A, Power contacts 1.8A
Component Type	Receptacle
Overview	<a href="#">USB Products and Solutions</a>
Product Name	USB 2.0
Type	Micro-AB
UPC	884982783751

**Physical**

Boot Color	N/A
Circuits (Loaded)	5
Circuits (maximum)	5
Color - Resin	Gray
Durability (mating cycles max)	10000
Flammability	94V-0
Gender	Female
Keying to Mating Part	Yes
Lock to Mating Part	No
Material - Metal	Copper Alloy
Material - Plating Mating	Gold
Material - Plating Termination	Gold
Material - Resin	High Temperature Thermoplastic
Net Weight	0.263/g
Number of Rows	1
Orientation	Right Angle
PCB Retention	None
Packaging Type	Embossed Tape on Reel
Panel Mount	No
Pitch - Mating Interface	0.65mm
Pitch - Termination Interface	0.65mm
Polarized to Mating Part	Yes
Ports	1
Surface Mount Compatible (SMC)	Yes
Temperature Range - Operating	-30° to +85°C
Termination Interface: Style	Surface Mount
Waterproof / Dustproof	No

**Electrical**

Current - Maximum per Contact 1.8A, 1.0A



**EU ELV**

**Not Relevant**

**EU RoHS**

**Compliant**

**REACH SVHC**

Not Contained Per -  
ECHA\_01\_2020 (16  
January 2020

**Halogen-Free**

**Status**

**Low-Halogen**

For more information, please visit [Contact US](#)

China ROHS

ELV

RoHS Phthalates

**China RoHS**

Green Image

Not Relevant

Not Contained

**Search Parts in this Series**

[47589 Series](#)

Grounding to Panel	Yes
Shield Type	Full Shield
Shielded	Yes
Voltage - Maximum	30V AC (RMS)

**Solder Process Data**

Duration at Max. Process Temperature (seconds)	003
Lead-free Process Capability	REFLOW
Max. Cycles at Max. Process Temperature	001
Process Temperature max. C	245

**Material Info****Reference - Drawing Numbers**

Packaging Specification	PK-47589-001-001
Product Specification	PS-47589-001-001
Sales Drawing	SD-47589-101

This document was generated on 02/21/2020

**PLEASE CHECK [WWW.MOLEX.COM](http://WWW.MOLEX.COM) FOR LATEST PART INFORMATION**