

PLEASE CHECK WWW.MOLEX.COM FOR LATEST PART INFORMATION

Part Number: **0467651001**
Status: **Active**
Overview: High Definition Multimedia Interface (HDMI)* Products
Description: 0.40mm Pitch Micro HDMI Connector, Right-Angle Receptacle, Surface Mount, with Through Hole Shell Tabs and Pick-and-Place Polyimide Tape, 19 Circuits, Lead-Free

Documents:

3D Model	Product Specification PS-46765-003-001 (PDF)
Drawing (PDF)	Packaging Specification PK-46765-001-001 (PDF)
3D Model (PDF)	RoHS Certificate of Compliance (PDF)

Agency Certification

CSA LR19980

General

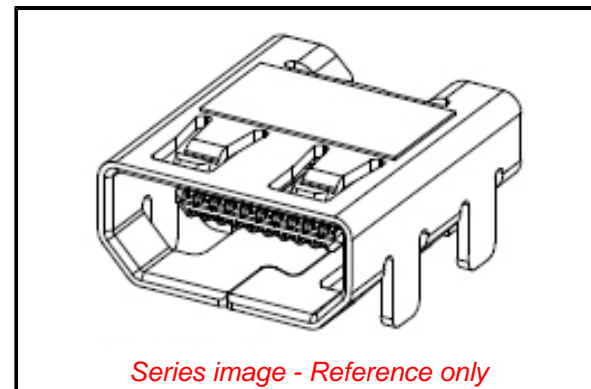
Product Family	I/O Connectors
Series	46765
Application	Wire-to-Board
Component Type	Receptacle
Overview	High Definition Multimedia Interface (HDMI)* Products
Product Name	Micro HDMI
Type	D
UPC	884982008571

Physical

Boot Color	N/A
Circuits (Loaded)	19
Circuits (maximum)	19
Flammability	94V-0
Gender	Female
Keying to Mating Part	Yes
Lock to Mating Part	Yes
Material - Metal	Copper Alloy
Material - Plating Mating	Gold
Material - Plating Termination	Gold
Material - Resin	High Temperature Thermoplastic
Net Weight	0.309/g
Number of Rows	2
Orientation	Right Angle
PCB Retention	Yes
Packaging Type	Embossed Tape on Reel
Panel Mount	No
Pitch - Mating Interface	0.40mm
Pitch - Termination Interface	0.40mm
Plating min - Mating	0.762µm
Plating min - Termination	0.051µm
Polarized to Mating Part	Yes
Polarized to PCB	Yes
Ports	1
Termination Interface: Style	Surface Mount
Waterproof / Dustproof	No

Electrical

Current - Maximum per Contact	0.8A
Grounding to Panel	Yes
Shield Type	Full Shield
Shielded	Yes



EU ELV

Not Relevant

EU RoHS

Compliant

REACH SVHC

Not Contained Per -
D(2020)9139-DC (19
Jan 2021)

Halogen-Free

Status

Low-Halogen

For more information, please visit [Contact US](#)

China ROHS

ELV

RoHS Phthalates

China RoHS

Green Image

Not Relevant

Not Contained

Search Parts in this Series

46765 Series

Mates With

68786 Micro HDMI Cable Assemblies

Voltage - Maximum 30V

Solder Process Data

Duration at Max. Process Temperature (seconds) 010

Lead-free Process Capability REFLOW

Max. Cycles at Max. Process Temperature 002

Process Temperature max. C 260

Material Info

Reference - Drawing Numbers

Electrical Model Document EE-46765-001

Packaging Specification PK-46765-001-001

Product Specification PS-46765-003-001

Sales Drawing SD-46765-001

This document was generated on 02/19/2021

PLEASE CHECK WWW.MOLEX.COM FOR LATEST PART INFORMATION