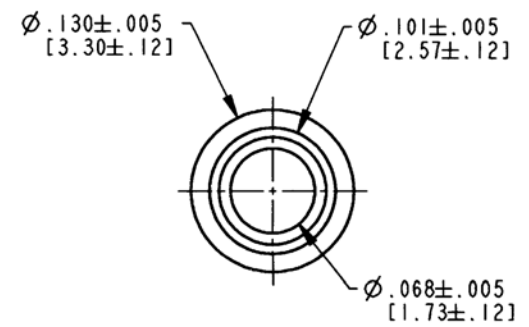
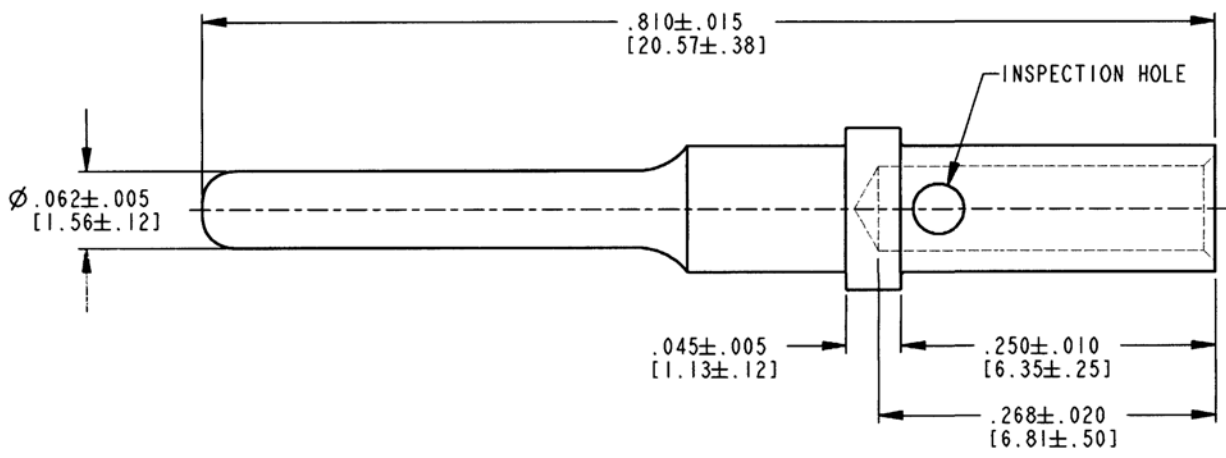


REV
B 0460-202-16 **

REVISIONS			
SYM	DESCRIPTION	DATE	APPROVED
NC	NEW RELEASE PER E.O. A8005	8/11/88	JA
A	REVISED PER E.O. P15174	12/3/96	RDR
B	REVISED PER E.O. P15996	5-25-99	RDR



4. FOR CONTACT PERFORMANCE AND APPLICATION CHARACTERISTICS SEE DRAWING 0425-015-0000.
3. WHEN ** = 31: PLATING IS GOLD OVER NICKEL.
WHEN ** = 141: PLATING IS NICKEL.
2. DIMENSIONS ARE IN INCHES [mm].
1. FOR CRIMPING INFORMATION SEE DRAWING 0425-205-0000.

NOTES:

SIGNATURE & DATE		CONTACT PIN SIZE 16	CP	MATL. CODE
DR	D. MEYER 12/18/97		The Deutsch Company DEUTSCH I.P.D. 3850 INDUSTRIAL AVE. HEMET, CALIF. 92545	
CHK	William Jones MAY-25-99	ENVELOPE	B 0460-202-16 **	
PE	D Meyer 5/25/99		DWG SIZE	CODE 11139
APPD	R. Reed 5-25-99			
SCALE	15:1 WT			