

PLEASE CHECK WWW.MOLEX.COM FOR LATEST PART INFORMATION

Part Number: [0460140304](#)

Status: **Active**

Overview: [Mini-Fit® Plus Connector System](#)

Description: Mini-Fit® Plus Header, 4.20mm Pitch, Single Row, Vertical, 3 Circuits, with Snap-in Plastic Peg PCB Lock, PA Polyamide Nylon 6/6, UL 94V-0, Tin (Sn) Over Nickel (Ni) Plating

Documents:

[3D Model](#)

[Drawing \(PDF\)](#)

[Product Specification PS-45750-001 \(PDF\)](#)

[RoHS Certificate of Compliance \(PDF\)](#)

Agency Certification

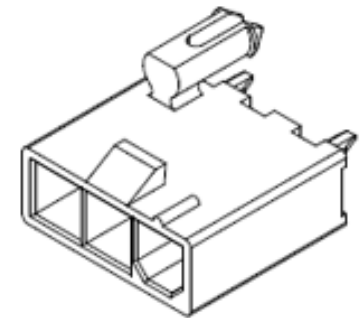
CSA	LR19980
UL	E29179

General

Product Family	PCB Headers
Series	46014
Application	Board-to-Board, Power, Wire-to-Board
Comments	11.5A When using as Board-to-Board Applications 12.5A When Using as Wire-to-Board
Overview	Mini-Fit® Plus Connector System
Product Name	Mini-Fit® Plus
UPC	884982067448

Physical

Breakaway	No
Circuits (Loaded)	3
Circuits (maximum)	3
Color - Resin	Natural
Durability (mating cycles max)	100
First Mate / Last Break	No
Flammability	94V-0
Glow-Wire Compliant	No
Guide to Mating Part	No
Keying to Mating Part	None
Lock to Mating Part	Yes
Material - Metal	Copper Alloy
Material - Plating Mating	Tin
Material - Plating Termination	Nickel
Material - Resin	Nylon
Net Weight	0.850/g
Number of Rows	1
Orientation	Vertical
PC Tail Length	1.80mm
PCB Locator	Yes
PCB Retention	Yes
PCB Thickness - Recommended	1.78mm
Packaging Type	Tray
Pitch - Mating Interface	4.20mm
Polarized to Mating Part	Yes
Polarized to PCB	Yes
Shrouded	Fully
Stackable	No
Surface Mount Compatible (SMC)	No
Temperature Range - Operating	-40°C to +105°C
Termination Interface: Style	Through Hole



Series image - Reference only

EU ELV

Not Relevant

EU RoHS

Compliant

REACH SVHC

Not Contained Per
-ED/79/2015 (17
December 2015)

Halogen-Free

Status

Low-Halogen

Need more information on product environmental compliance?

Email productcompliance@molex.com
Please visit the [Contact Us](#) section for any non-product compliance questions.

China ROHS
ELV

Green Image
Not Relevant

Search Parts in this Series

46014 Series

Mates With

5557 Mini-Fit Jr.™ Receptacle Housing

Electrical

Current - Maximum per Contact	11.5A, 12.5A
Voltage - Maximum	600V

Solder Process Data

Duration at Max. Process Temperature (seconds)	005
Lead-free Process Capability	WAVE
Max. Cycles at Max. Process Temperature	001
Process Temperature max. C	240

Material Info**Reference - Drawing Numbers**

Product Specification	PS-45750-001
Sales Drawing	SD-46014-003

This document was generated on 03/04/2016

PLEASE CHECK WWW.MOLEX.COM FOR LATEST PART INFORMATION