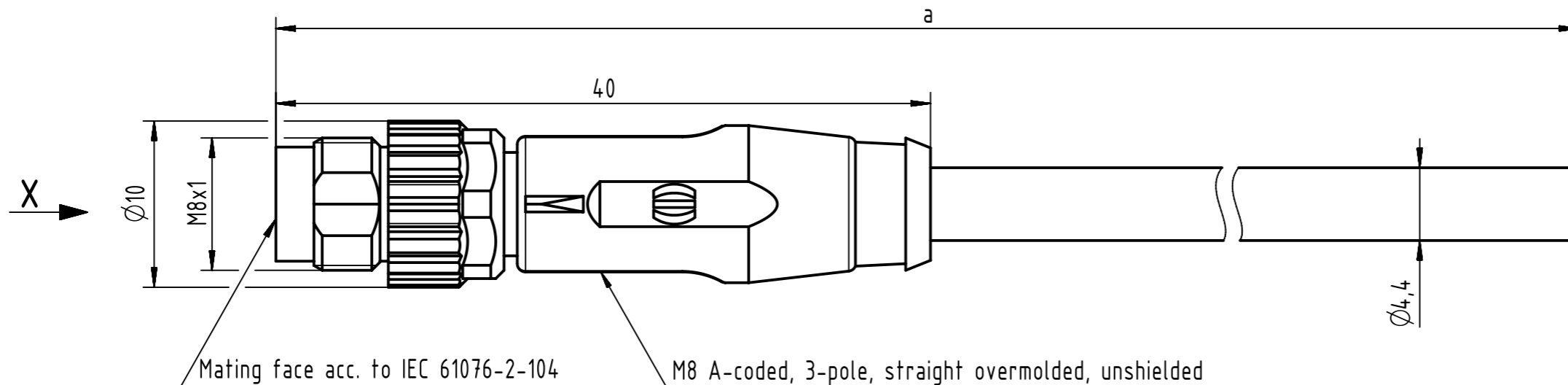
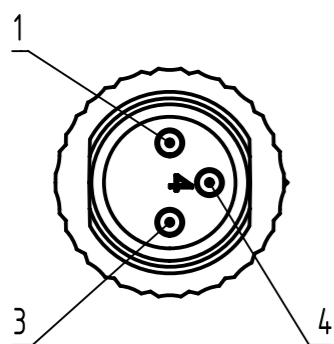


Connector Location A

Connector Location B



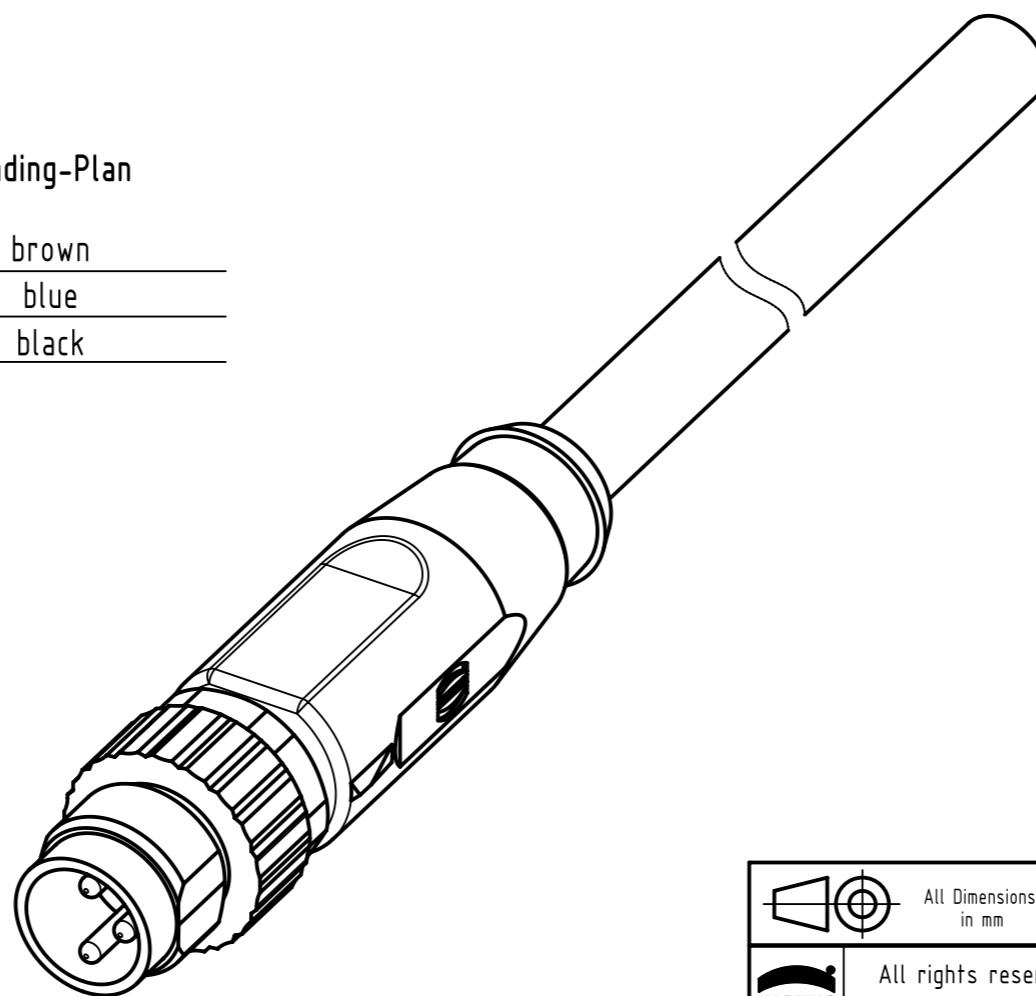
X  
male



Loading-Plan

1	brown
3	blue
4	black

- Protection level: IP67  
- Temperature range: -25°C ... +80°C



4.0 to 40	±1%
0.1 to 3.9	+0.04
<b>a [m]</b>	<b>Tolerance</b>

length in "1m" step	40	XXX=400
	39	XXX=390
	12	XXX=120
	11	XXX=110
length in "0.1m" step	10	XXX=100
	9.9	XXX=099
	9.8	XXX=098
	0.4	XXX=004
	0.3	XXX=003
	0.2	XXX=002
	0.1	XXX=001
<b>Step</b>	<b>a [m]</b>	<b>XXX</b>

PVC grey, 3x0.25mm <sup>2</sup>	21348000380XXX
<b>Type of cable</b>	<b>Part no.</b>

	All rights reserved	Created by STOCHECIC Stocheici	Inspected by COSTEA Costea	Standardisation MUNTEANV Muntean	Date 2018-12-17	State Final Release
	Department HCS - RO	Title M8 Cable Assembly 3-poles st/- m/-				Doc-Key / ECM-Nr. 100577956/UGD/009/C 500000144934
HARTING Customised Solutions D-32339 Espelkamp		Type TB	Number 21348000380XXX		Rev. C	Page 1/1

# Mouser Electronics

Authorized Distributor

Click to View Pricing, Inventory, Delivery & Lifecycle Information:

## HARTING:

[21348000380015](#) [21348000380075](#) [21348000380100](#) [21348000380005](#) [21348000380020](#) [21348000380050](#)  
[21348000380010](#) [21348000380040](#) [21348000380060](#)