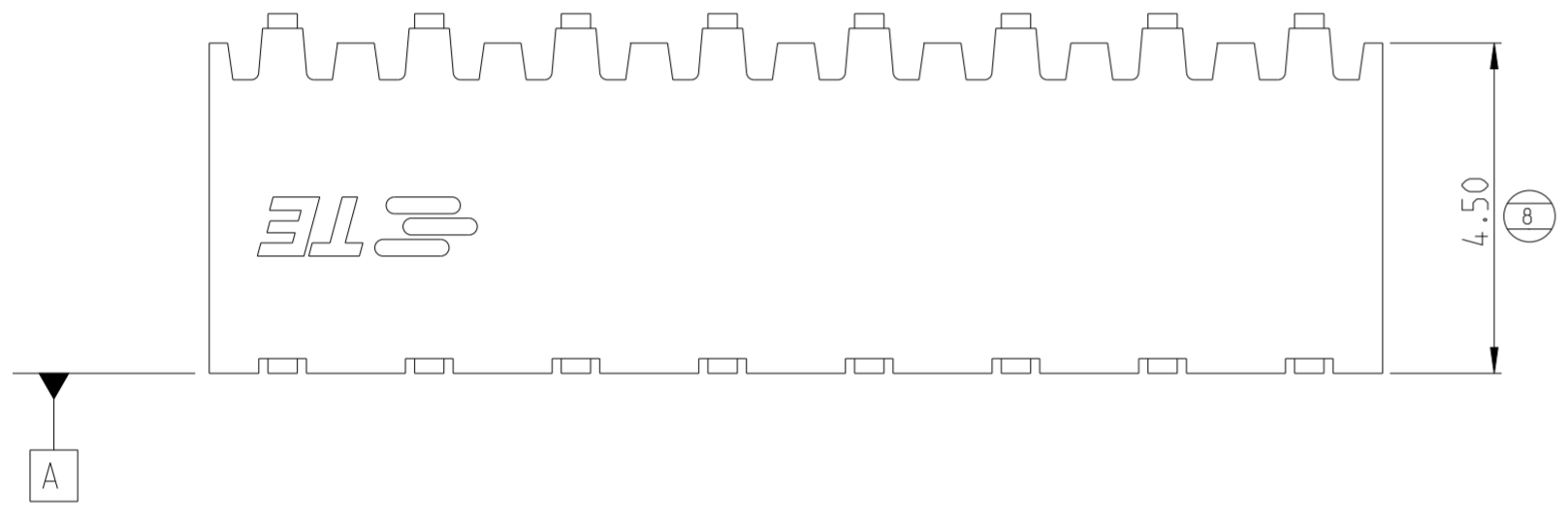
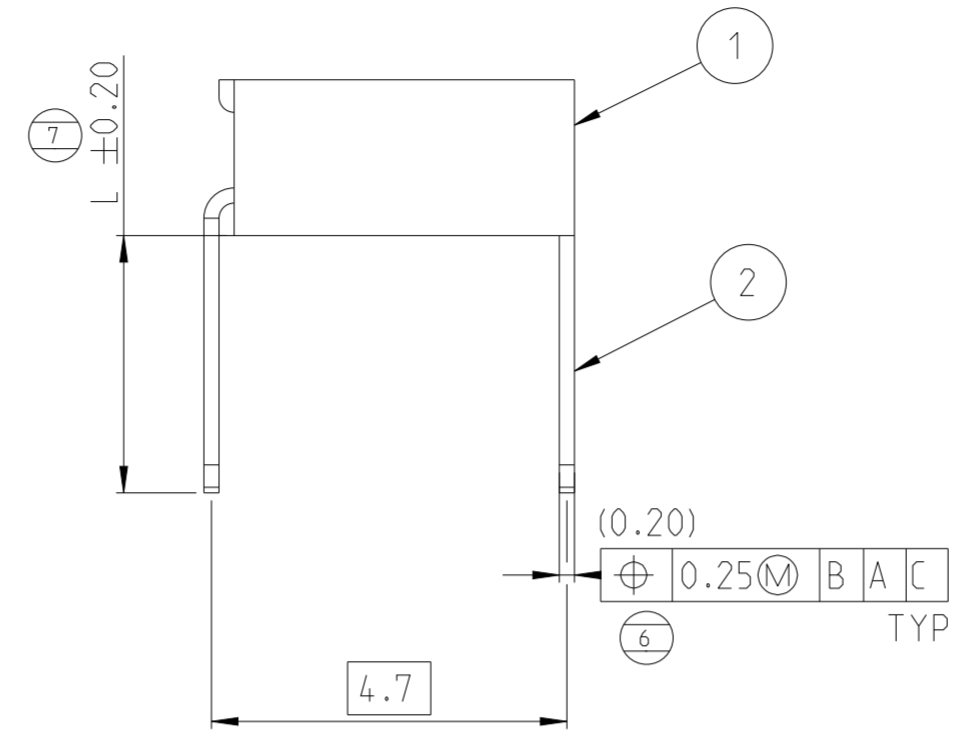
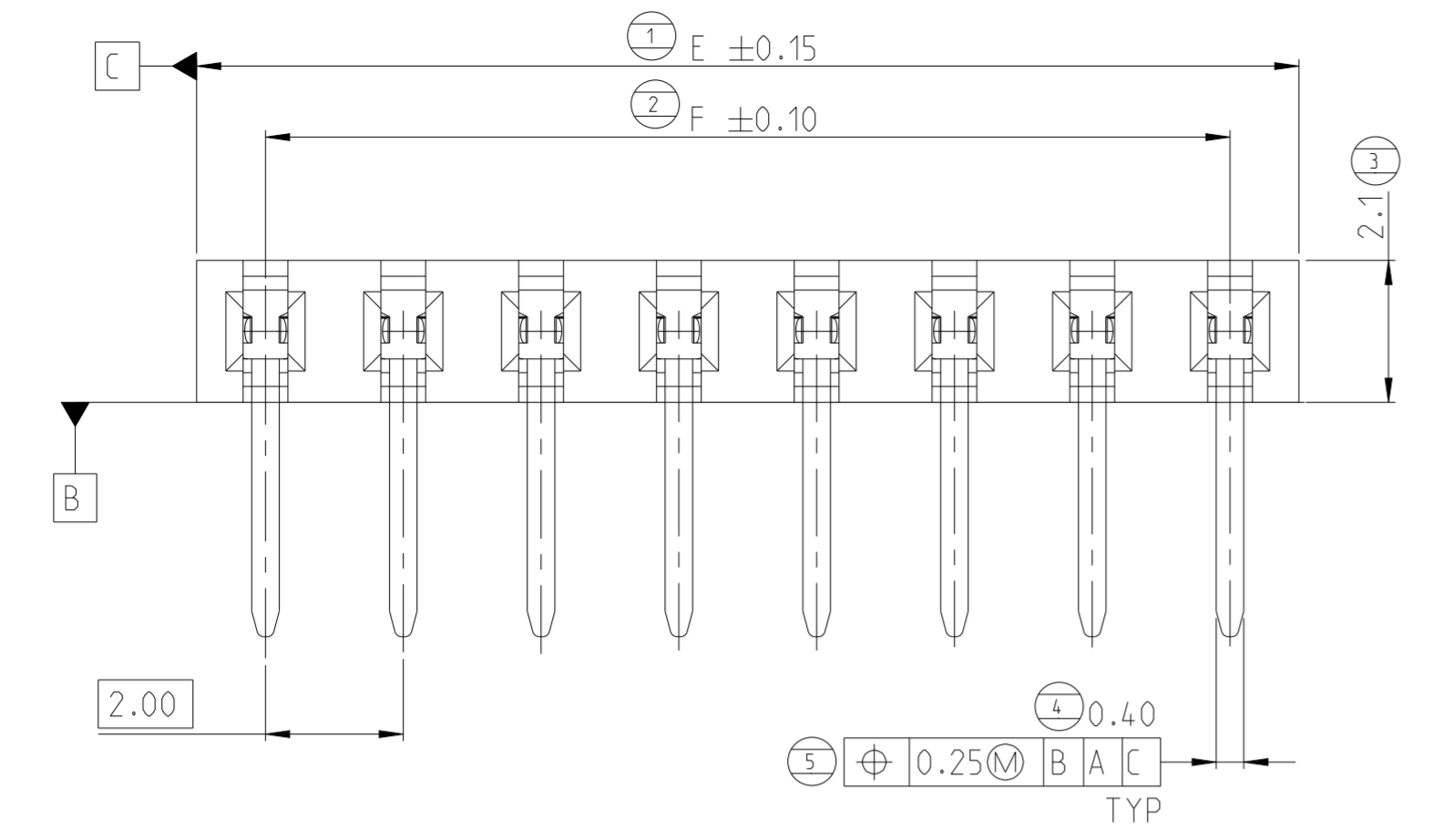


© 2021 TE Connectivity. All Rights Reserved.

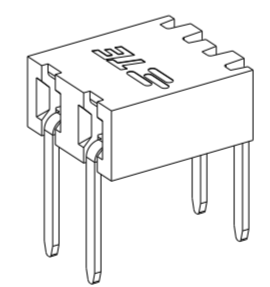
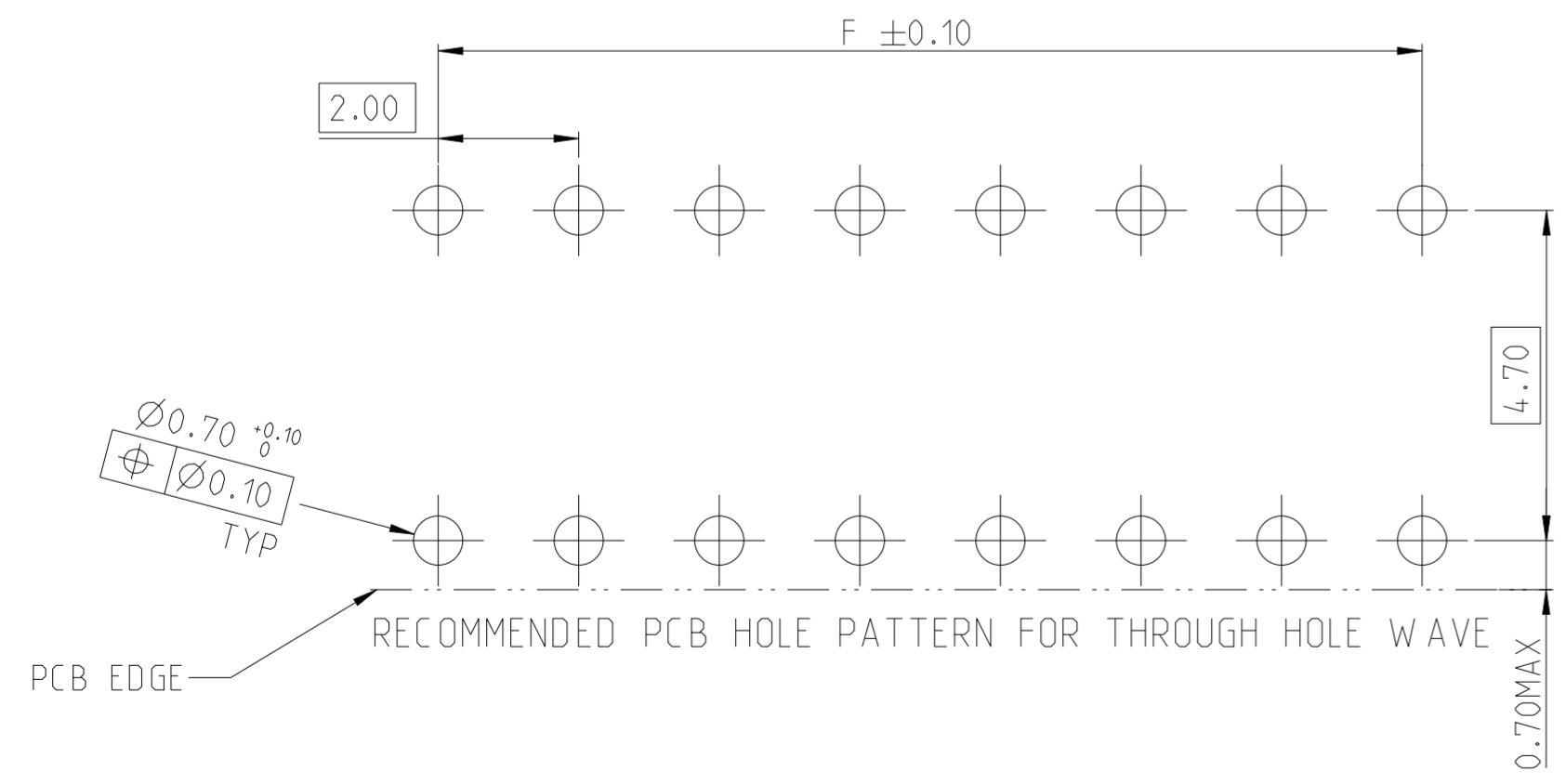
REVISIONS				
P	LTR	DESCRIPTION	DATE	APVD
	A2	ECR-21-115824	05OCT2021	SCB AY



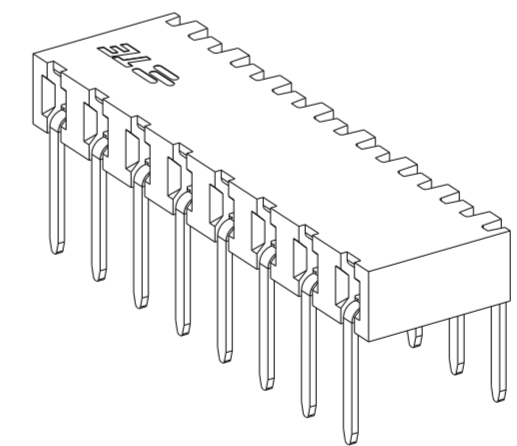
CONTACT	2
HOUSING	1
DESCRIPTION	ITEM

NOTES:

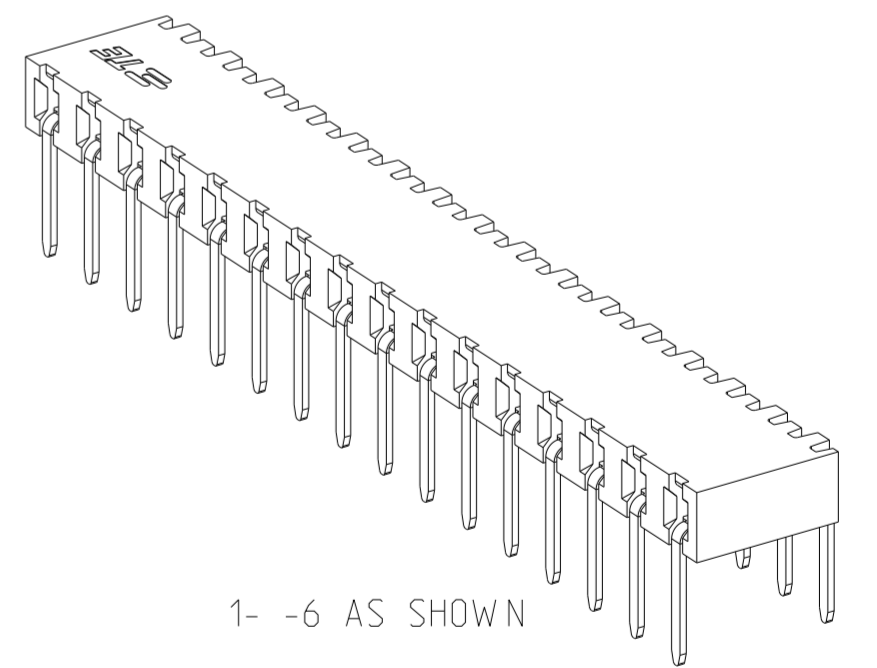
- 1 MATERIAL:
HOUSING: LCP, UL94 V0, BLACK
CONTACT: PHOSPHOR BRONZE, 0.20mm THICK.
- 2 ALL OVER 3-5µm TIN OVER MIN 1.27µm NICKEL UNDERPLATE
- 3 CONTACT AREA: MIN 0.1µm GOLD
SOLDER TAIL: 3-5µm TIN
UNDERPLATING: MIN 1.27µm NICKEL ALL OVER
- 4 CONTACT AREA: MIN 0.38µm GOLD
SOLDER TAIL: 3-5µm TIN
UNDERPLATING: MIN 1.27µm NICKEL ALL OVER
- 5 CONTACT AREA: MIN 0.76µm GOLD
SOLDER TAIL: 3-5µm TIN
UNDERPLATING: MIN 1.27µm NICKEL ALL OVER
- 6 N = NO. OF POSITIONS PER CONNECTOR.



-2 AS SHOWN



-8 AS SHOWN



1- -6 AS SHOWN

THIS DRAWING IS A CONTROLLED DOCUMENT.		DWN 23NOV2017 SOURAV DAS		
		CHK 19JULY2018 SHARATH S		
DIMENSIONS: mm		APVD 19JULY2018 PRASHANTH S	NAME AMPMODU 2mm, BtB RECEPTACLE, SINGLE ROW, HORIZONTAL TH/THR	
TOLERANCES UNLESS OTHERWISE SPECIFIED:		PRODUCT SPEC 108-64040	RESTRICTED TO	
0 PLC ±		APPLICATION SPEC 114-32186	SIZE A2	CAGE CODE 00779
1 PLC ±0.2		WEIGHT -	DRAWING NO C-2307700	SCALE 10:1
2 PLC ±0.1			SHEET 1 OF 2	REV A2
3 PLC ±				
4 PLC ±				
ANGLES ±2°				
FINISH SEE NOTES				
MATERIAL 1				

REVISIONS

P	LTR	DESCRIPTION	DATE	DWN	APVD
-	-	SEE SHEET 1	-	-	-

MATING SIDE PLATING (FINISH)	"L" SOLDER TAIL LENGTH	BTB RECEPTACLE BASE NUMBERS	
		TAPE & REEL PKG W/O CAP	TUBE PKG W/O CAP
TIN △ 2	2.1	2307700	2314927
	2.8	2314935	2307701
	3.4	A/R	2307702
GOLD FLASH 0.1 μm △ 3	2.1	2307703	2314928
	2.8	2314936	2307704
	3.4	A/R	2307705
GOLD 0.38 μm △ 4	2.1	2307706	2314929
	2.8	2314937	2307707
	3.4	A/R	2307708
GOLD 0.76 μm △ 5	2.1	2307709	2314930
	2.8	2314938	2307710
	3.4	A/R	2307711

* A/R- AVAILABLE ON REQUEST

48	50	25	2- -5
46	48	24	2- -4
44	46	23	2- -3
42	44	22	2- -2
40	42	21	2- -1
38	40	20	2- -0
36	38	19	1- -9
34	36	18	1- -8
32	34	17	1- -7
30	32	16	1- -6
28	30	15	1- -5
26	28	14	1- -4
24	26	13	1- -3
22	24	12	1- -2
20	22	11	1- -1
18	20	10	1- -0
16	18	9	-9
14	16	8	-8
12	14	7	-7
10	12	6	-6
8	10	5	-5
6	8	4	-4
4	6	3	-3
2	4	2	-2
DIM "F"	DIM "E"	N ₆	FG PN

THIS DRAWING IS A CONTROLLED DOCUMENT.		DWN 23NOV2017 SOURAV DAS	STE TE Connectivity	
DIMENSIONS: mm		CHK 19JULY2018 SHARATH S		
TOLERANCES UNLESS OTHERWISE SPECIFIED:		APVD 19JULY2018 PRASHANTH S	NAME AMPMODU 2mm, BtB RECEPTACLE, SINGLE ROW, HORIZONTAL TH/THR	
0 PLC ±		PRODUCT SPEC 108-64040	RESTRICTED TO	
1 PLC ±0.2		APPLICATION SPEC 114-32186	SIZE A2	CAGE CODE 00779
2 PLC ±0.1		WEIGHT -	DRAWING NO C-2307700	SCALE 10:1
3 PLC ±		CUSTOMER DRAWING	SHEET 2 OF 2	REV A2
4 PLC ±				
ANGLES ±2°				
FINISH SEE NOTES				

Mouser Electronics

Authorized Distributor

Click to View Pricing, Inventory, Delivery & Lifecycle Information:

[TE Connectivity:](#)

[1-2314936-0](#)