

4

3

2

1

THIS DRAWING IS UNPUBLISHED.

RELEASED FOR PUBLICATION

-, -

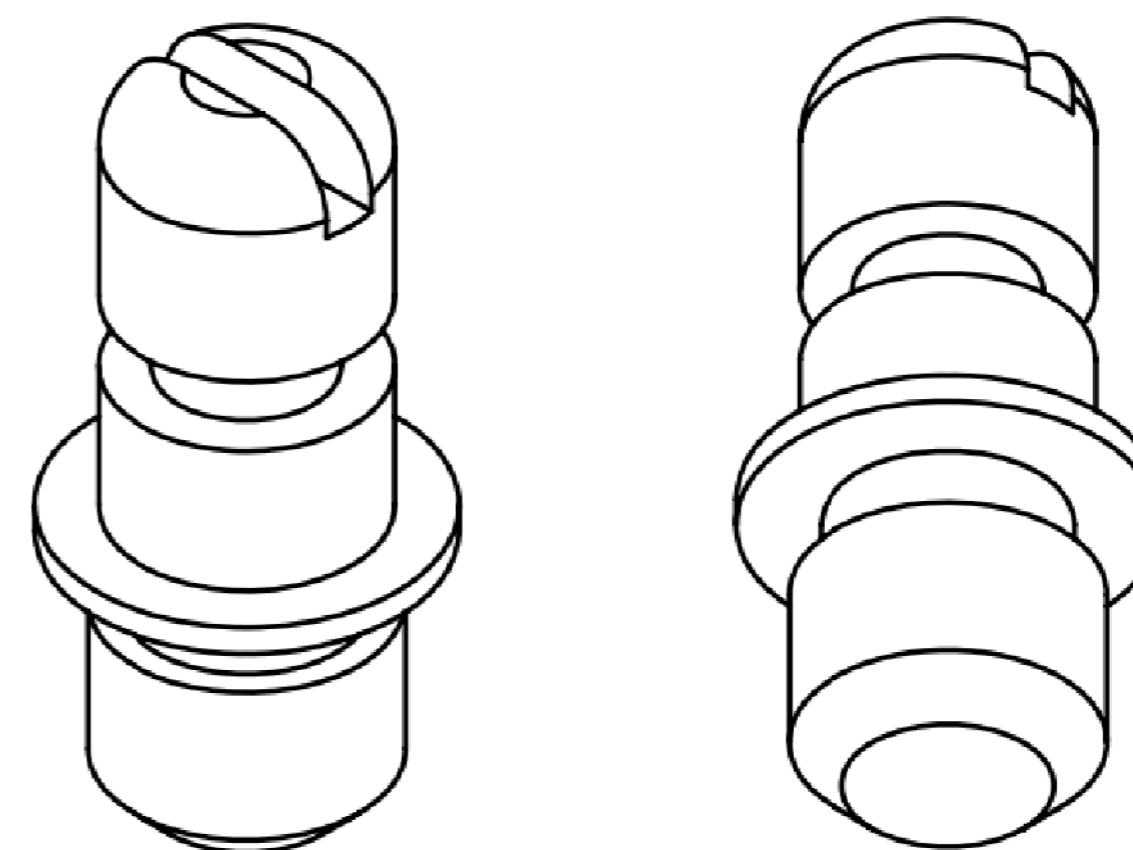
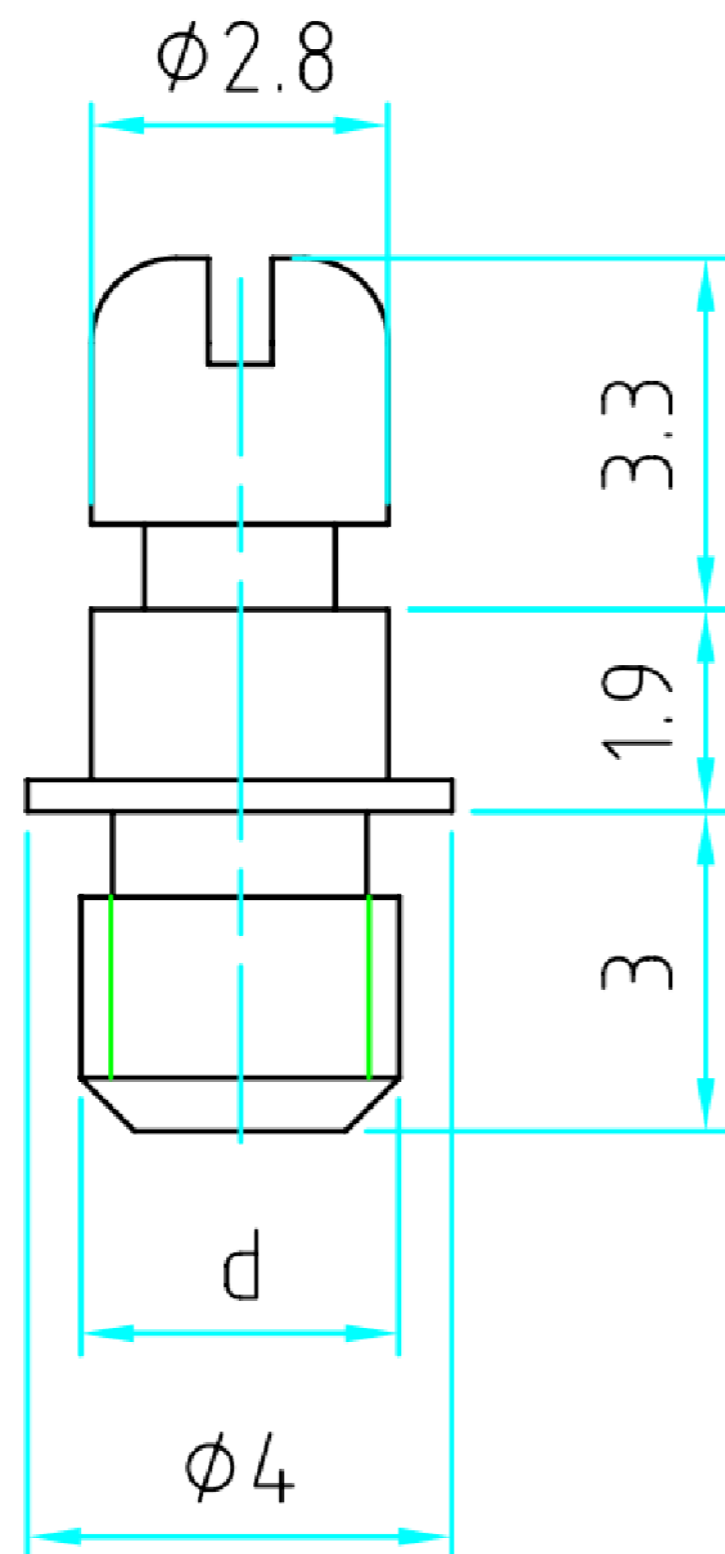
© COPYRIGHT - By -

ALL RIGHTS RESERVED.

REVISIONS

P	LTR	DESCRIPTION	DATE	DWN	APVD
	A2	REVISED PER ECR-17-006621	09MAY2017	KK	SE

PROJECT	PRJ-16-000909157
PART NO.	X-2308273-X
DESCRIPTION	QL-SET FOR VAR. A WITH STOP MOUNTING KIT FOR COMBI LOCK
CUSTOMER	GENERAL MARKET



M 1:1



1-2308273-2	VARIANT A W/STOP MOUNTING KIT (UNC)	1-2308352-2	LATCH PIN 2 (UNC)	4-40 UNC	2
1-2308273-1	VARIANT A W/STOP MOUNTING KIT (METRIC)	3-2308352-4	LATCH PIN 24 (METRIC)	M3	2
PART-NO.	DESCRIPTION	SUB-PART NO.	DESCRIPTION	THREAD "d"	QTY
		POS.1			

NOTES:

- WEIGHT: 0.4 g.
- FINISHING PROCESS: 4-7 μ Sn OVER 2-3 μ Cu.

THIS DRAWING IS A CONTROLLED DOCUMENT.		DWN KIRAN K 27JUL2016															
DIMENSIONS: mm		CHK GUNASEKHAR G 27JUL2016															
TOLERANCES UNLESS OTHERWISE SPECIFIED: DIN ISO 2768 m		APVD GUNASEKHAR G 27JUL2016	NAME QL-SET FOR VAR. A WITH STOP MOUNTING KIT FOR COMBI LOCK														
<table border="1"> <tr> <td>0 PLC</td> <td>± -</td> </tr> <tr> <td>1 PLC</td> <td>± -</td> </tr> <tr> <td>2 PLC</td> <td>± -</td> </tr> <tr> <td>3 PLC</td> <td>± -</td> </tr> <tr> <td>4 PLC</td> <td>± -</td> </tr> <tr> <td>ANGLES</td> <td>± -</td> </tr> </table>		0 PLC	± -	1 PLC	± -	2 PLC	± -	3 PLC	± -	4 PLC	± -	ANGLES	± -	PRODUCT SPEC	RESTRICTED TO		
0 PLC	± -																
1 PLC	± -																
2 PLC	± -																
3 PLC	± -																
4 PLC	± -																
ANGLES	± -																
MATERIAL		APPLICATION SPEC	SIZE A3	CAGE CODE 00779	DRAWING NO C=2308273												
FINISH		WEIGHT	SCALE NTS		SHEET 1 OF 1												
		CUSTOMER DRAWING	REV A2														

Mouser Electronics

Authorized Distributor

Click to View Pricing, Inventory, Delivery & Lifecycle Information:

[TE Connectivity:](#)

[1-2308273-2](#)