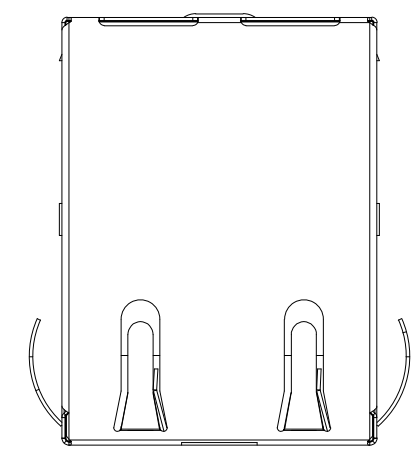
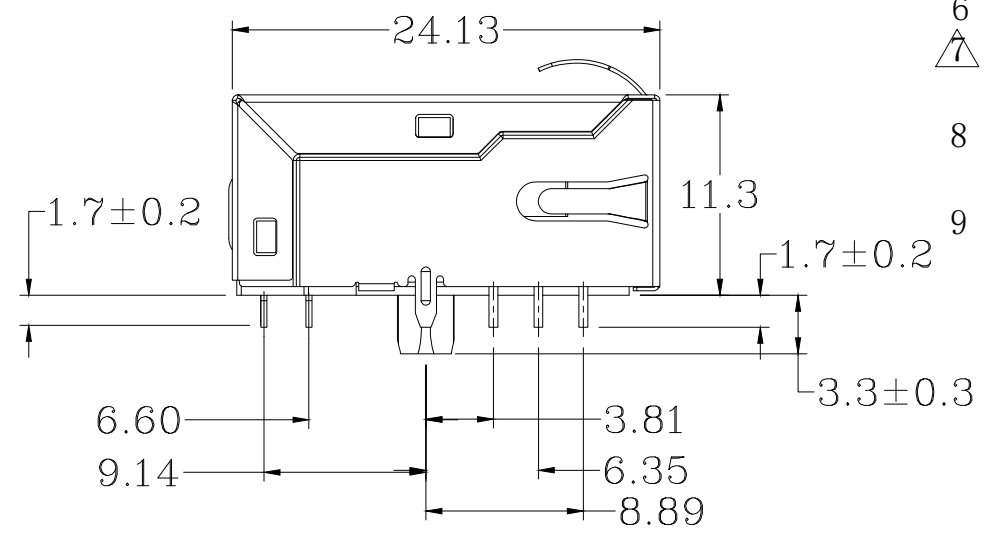
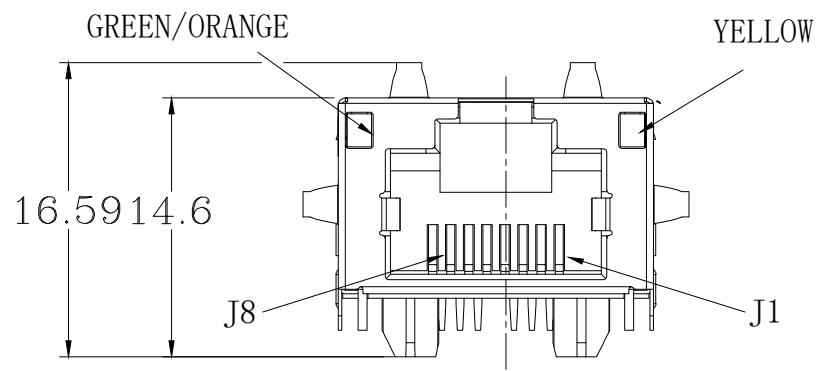
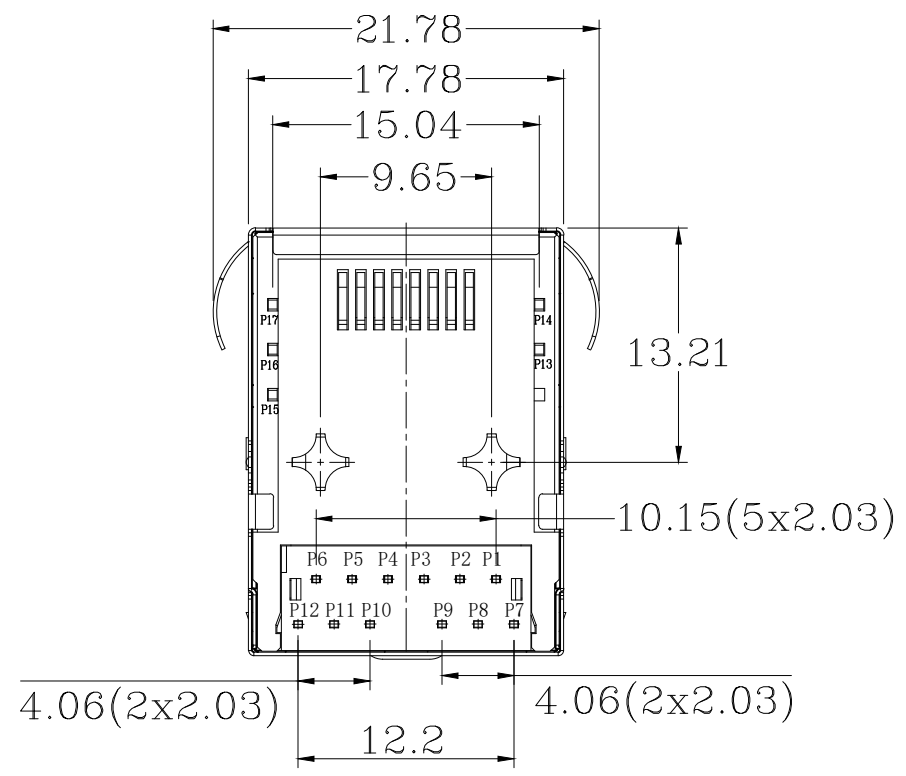


THIS DRAWING IS UNPUBLISHED. RELEASED FOR PUBLICATION - .2016.
 © COPYRIGHT 2013 By TE CONNECTIVITY ALL RIGHTS RESERVED.

REVISIONS					
P	LTR	DESCRIPTION	DATE	DWN	APVD
C1		CHANGE BOARD LOCK_PCN E-19-018199	30OCT2019	SS	OW



- ① CONNECTOR MATERIAL:
 HOUSING: LCP BLACK UL94 V-0
 INSERT: LCP BLACK UL94 V-0
 SHIELD: BRASS
 SHIELD PLATING: NICKEL
 CONTACT: COPPER ALLOY
 CONTACT PLATING: SELECTIVE GOLD, MIN. 0.76 μm (30 μinch) IN
 CONTACT AREA OVER MIN. 1.27 μm (50 μinch) NICKEL
 SOLDER PIN PLATING: 3.05 μm (120 μinch) TIN OVER 1.02 μm (40 μinch)
 NICKEL OVER ALL
 SHIELDING PIN PLATING: NICKEL
- 2 PIN NOT ELECTRICALLY CONNECTED MAYBE OMITTED SEE ELECTRICAL CIRCUIT DIAGRAM FOR OMITTED PINS
- 3 RJ45 CAVITIES CONFORM TO FCC RULES AND REGULATION PART 68
- 4 THE PART IS RECOMMENDED FOR REFLOW SOLDERING PROCESS PEAK SOLDERING: TEMPERATURE MAX. +260° C, MAX. 10s
- 5 OPERATING TEMPERATURE: T = -40° C TO +85° C
- 6 STORAGE TEMPERATURE: T = -40° C TO +85° C
- ② UNLESS OTHERWISE SPECIFIED, SEE TABLE FOR ALL DIMENSIONS TOLERANCES
- 8 JACK CONFIGURATION: 1 x 1 (LOW)
 TAB DIRECTION: UP
- 9 PACKAGING: REEL (T+R) ACCORDING TO PACKAGING SPECIFICATION 107-18116

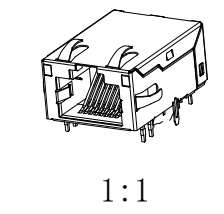


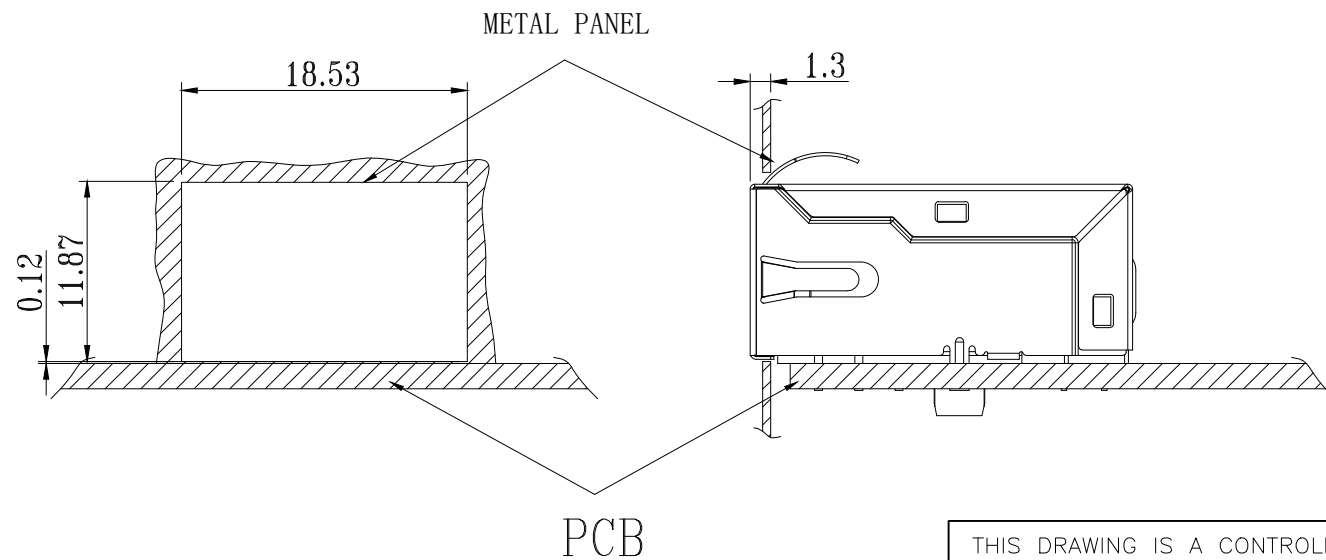
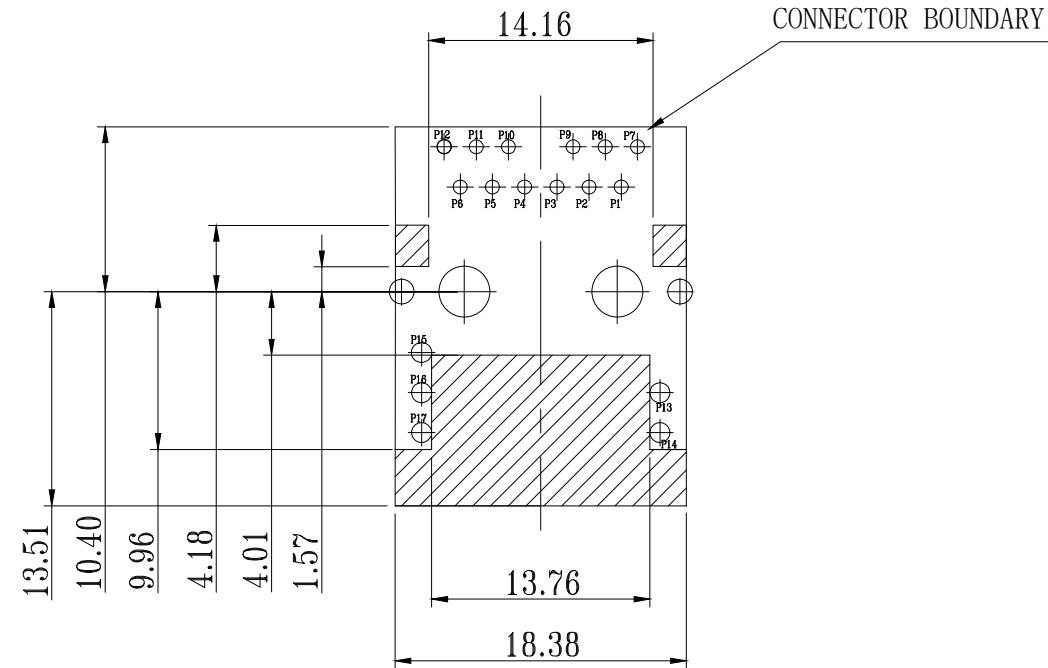
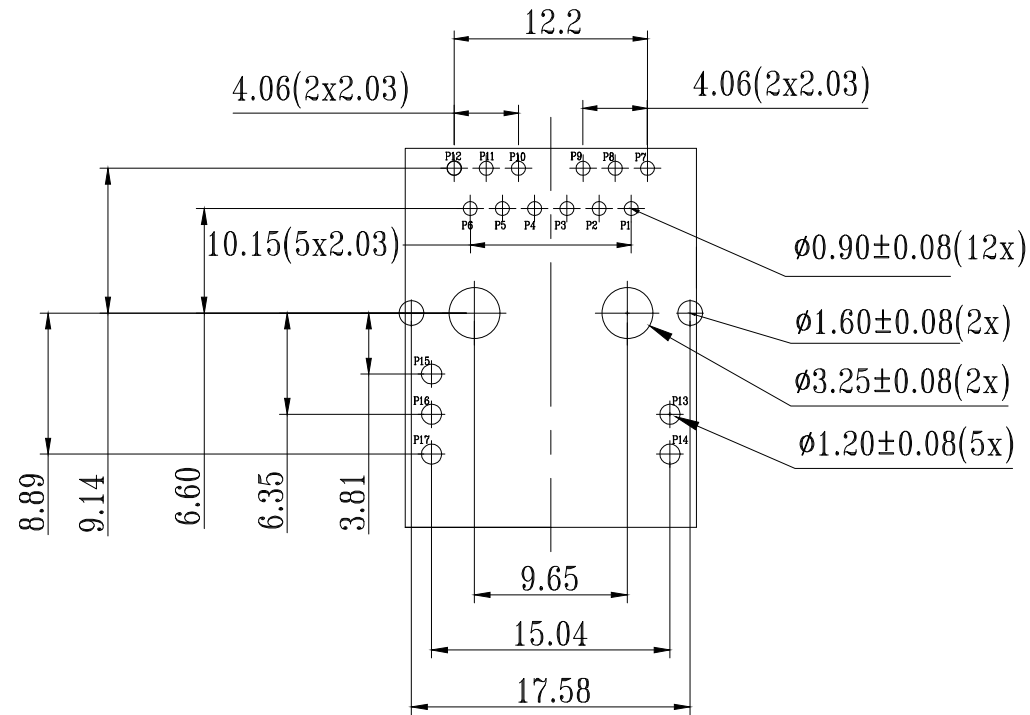
TABLE OF TOLERANCE (mm)	
RANGE	TOLERANCE
0-10	±0.15
>10-40	±0.25
>40-70	±0.30
>70	±0.40

THIS DRAWING IS A CONTROLLED DOCUMENT.		DWN GANESH C M 02AUG2016	STE TE Connectivity																
DIMENSIONS: mm		CHK FRANZ MUELLER 02AUG2016																	
TOLERANCES UNLESS OTHERWISE SPECIFIED:		APVD MARTIN SZELAG 02AUG2016	NAME RJ45 JACK INT.MAG. 1Gb LED 1x1 INV. (low)																
<table border="0"> <tr><td>0 PLC</td><td>± -</td><td rowspan="5">⑦</td></tr> <tr><td>1 PLC</td><td>± -</td></tr> <tr><td>2 PLC</td><td>± -</td></tr> <tr><td>3 PLC</td><td>± -</td></tr> <tr><td>4 PLC</td><td>± -</td></tr> <tr><td>ANGLES</td><td>± -</td><td></td></tr> </table>		0 PLC	± -	⑦	1 PLC	± -	2 PLC	± -	3 PLC	± -	4 PLC	± -	ANGLES	± -		PRODUCT SPEC 108-94552	-		
0 PLC	± -	⑦																	
1 PLC	± -																		
2 PLC	± -																		
3 PLC	± -																		
4 PLC	± -																		
ANGLES	± -																		
MATERIAL ①		FINISH ①	APPLICATION SPEC 114-94447	SIZE A3	CAGE CODE 00779														
			WEIGHT -	DRAWING NO C-1-2301994-1	RESTRICTED TO -														
CUSTOMER DRAWING			SCALE 3:1	SHEET 1 OF 3	REV C1														


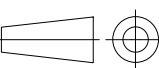
REVISIONS

P	LTR	DESCRIPTION	DATE	DWN	APVD
-	-	SEE SHEET 1	-	-	-

SUGGESTED PCB LAYOUT



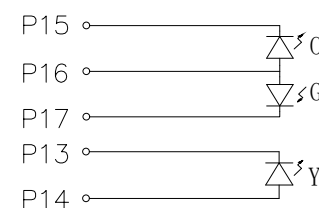
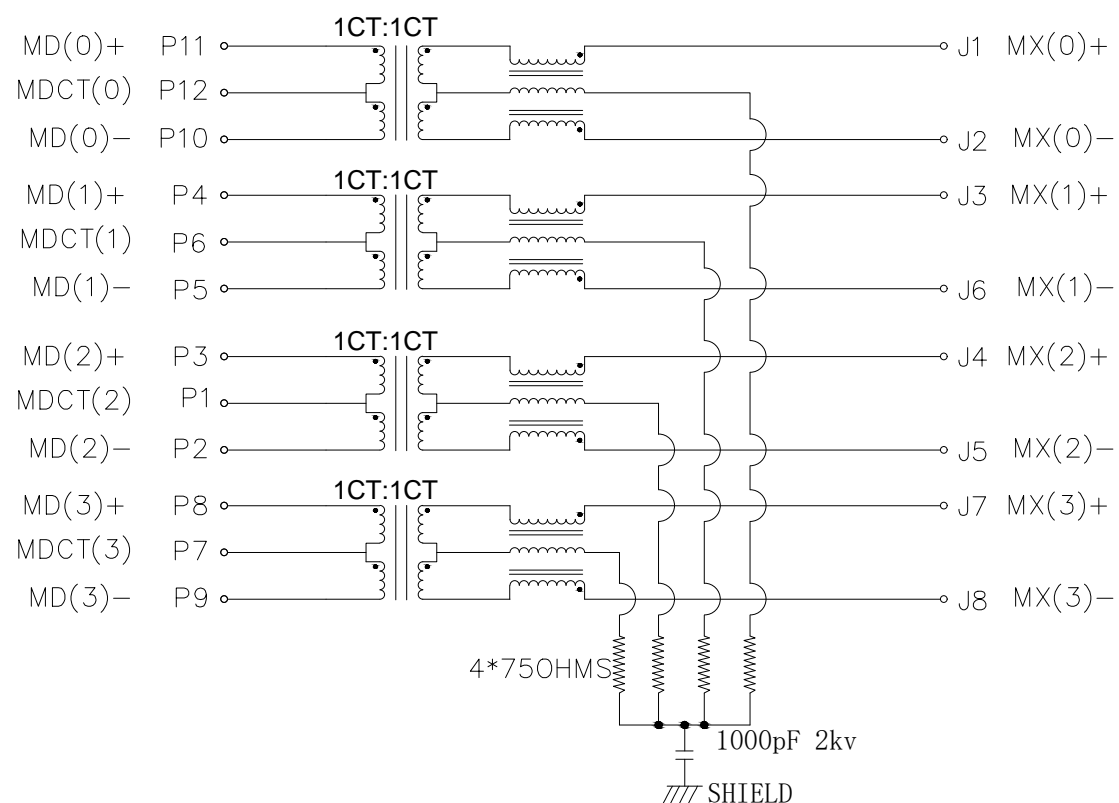
UNIT: mm
TOLERANCES: ±0.10

THIS DRAWING IS A CONTROLLED DOCUMENT.		DWN GANESH C M 02AUG2016	 TE Connectivity		
DIMENSIONS: mm		CHK FRANZ MUELLER 02AUG2016			
TOLERANCES UNLESS OTHERWISE SPECIFIED:		APVD MARTIN SZELAG 02AUG2016	NAME RJ45 JACK INT.MAG. 1Gb LED 1x1 INV. (low)		
 0 PLC ± - 1 PLC ± - 2 PLC ± - 3 PLC ± - 4 PLC ± - ANGLES ± -		PRODUCT SPEC 108-94552	-		
MATERIAL 1		FINISH 1	APPLICATION SPEC 114-94447	SIZE A3	CAGE CODE 00779
		WEIGHT	DRAWING NO C-1-2301994-1	RESTRICTED TO	-
CUSTOMER DRAWING			SCALE 3:1	SHEET 2 of 3	REV C1

REVISIONS

P	LTR	DESCRIPTION	DATE	DWN	APVD
-	-	SEE SHEET 1	-	-	-

ELECTRICAL CIRCUIT DIAGRAM



PIN	YELLOW	PIN	ORANGE	GREEN
P13	-	P15	-	-
P14	+	P16	+	+
		P17		-

LED SPECIFICATION				
STANDARD LED	WAVELENGTH	FORWARD CURRENT	FORWARD V(max)	TYP
GREEN	565nm	20 mA	2.4V	2.2V
YELLOW	590nm	20 mA	2.5V	2.1V
ORANGE	605nm	20 mA	2.5V	2.0V

- 1 TURN RATIO @100kHz: (P11~P10) : (J1~J2) = 1:1±2%
(P4~P5) : (J3~J6) = 1:1±2%
(P3~P2) : (J4~J5) = 1:1±2%
(P8~P9) : (J7~J8) = 1:1±2%
- 2 PRIMARY INDUCTANCE: 350µH MIN @100kHz, 0.1V 8mA DC BIAS
- 3 DC RESISTANCE: 1.2 OHM MAX.
- 4 INSERTION LOSS: 1-100MHz -1.0dB MAX.
100-125MHz -1.2dB MAX.
- 5 RETURN LOSS: 1-40MHz -16dB MIN.
40-60MHz -12dB MIN.
60-80MHz -10dB MIN.
80-100MHz -8dB MIN.
- 6 CROSS TALK: 1-100MHz -30dB MIN.
- 7 COMMON TO COMMON MODE ATTENUATION: 1-100MHz -30dB MIN.
- 8 ISOLATION: PHY SIDE TO LINE SIDE: 2250VDC

1-2301994-1
WWYY-xxxx

TE

FCC

CONTROL CODE

DATE CODE
"0213"

YY-YEAR
WW-WEEK

THIS DRAWING IS A CONTROLLED DOCUMENT.		DWN GANESH C M 02AUG2016															
DIMENSIONS: mm		CHK FRANZ MUELLER 02AUG2016															
TOLERANCES UNLESS OTHERWISE SPECIFIED:		APVD MARTIN SZELAG 02AUG2016	NAME RJ45 JACK INT.MAG. 1Gb LED 1x1 INV. (low)														
<table border="1"> <tr><td>0 PLC</td><td>± -</td></tr> <tr><td>1 PLC</td><td>± -</td></tr> <tr><td>2 PLC</td><td>± -</td></tr> <tr><td>3 PLC</td><td>± -</td></tr> <tr><td>4 PLC</td><td>± -</td></tr> <tr><td>ANGLES</td><td>± -</td></tr> </table>		0 PLC	± -	1 PLC	± -	2 PLC	± -	3 PLC	± -	4 PLC	± -	ANGLES	± -	PRODUCT SPEC 108-94552	-		
0 PLC	± -																
1 PLC	± -																
2 PLC	± -																
3 PLC	± -																
4 PLC	± -																
ANGLES	± -																
MATERIAL		APPLICATION SPEC 114-94447	SIZE A3	CAGE CODE 00779	DRAWING NO C-1-2301994-1												
FINISH		WEIGHT	RESTRICTED TO														
CUSTOMER DRAWING		SCALE 3:1	SHEET 3 OF 3		REV C1												

Mouser Electronics

Authorized Distributor

Click to View Pricing, Inventory, Delivery & Lifecycle Information:

[TE Connectivity:](#)

[1-2301994-1](#)