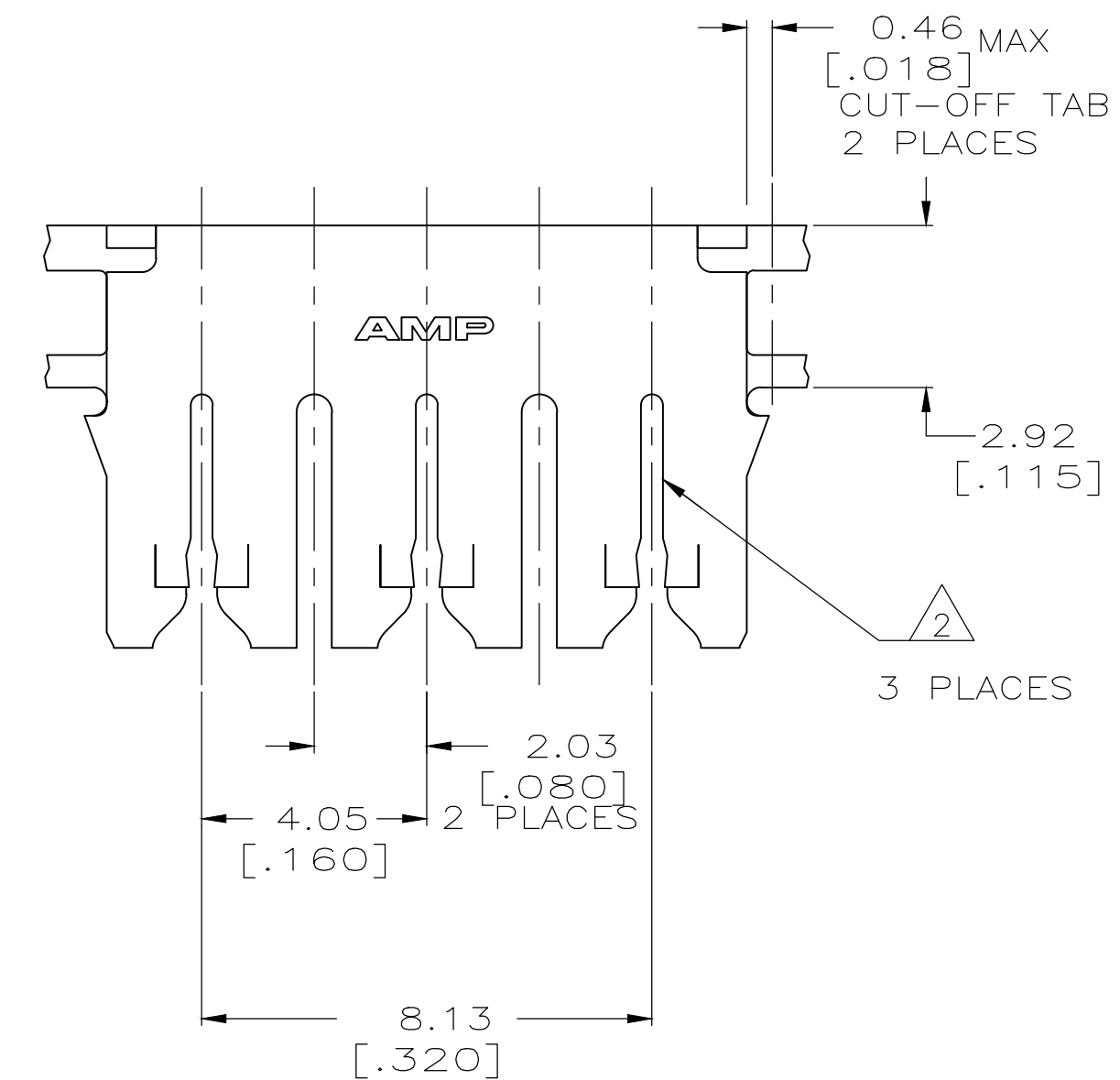
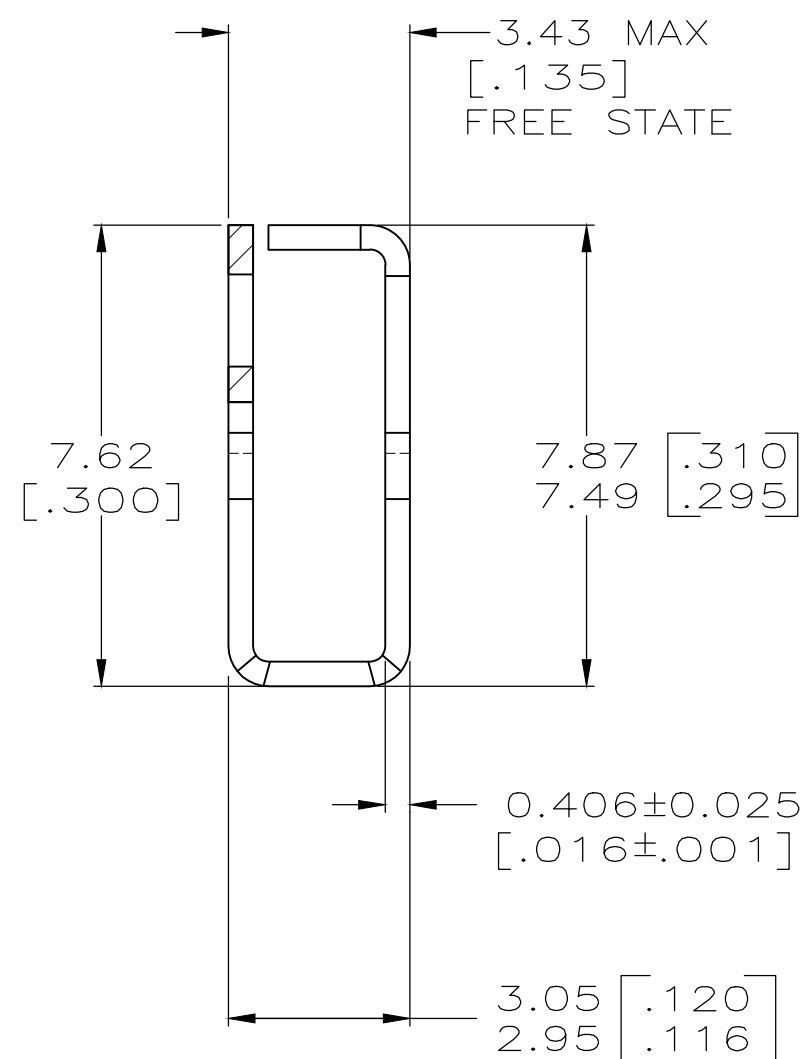
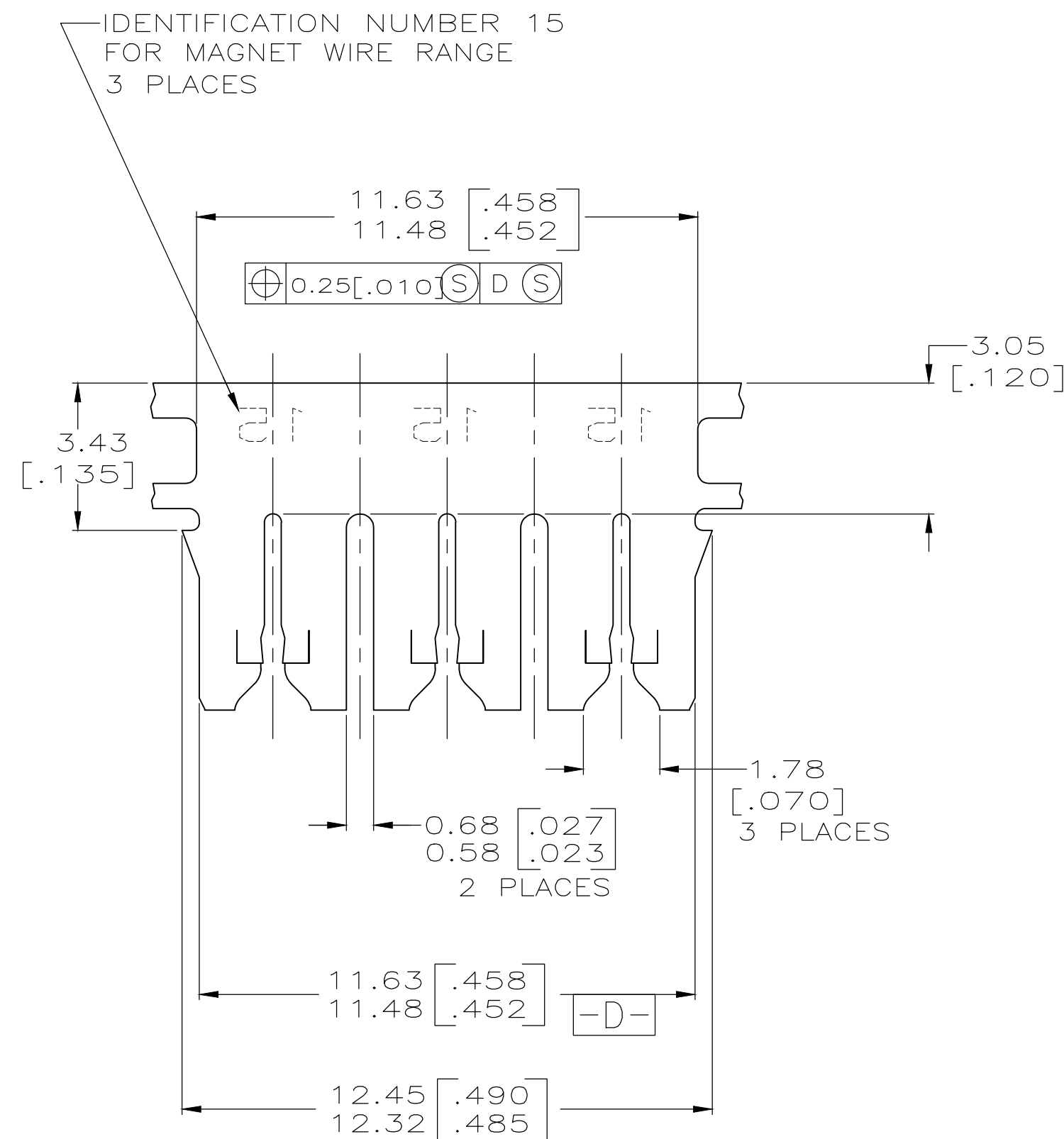
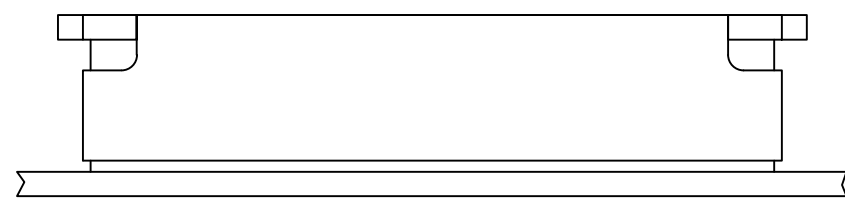


THIS DRAWING IS UNPUBLISHED. RELEASED FOR PUBLICATION  
 © COPYRIGHT - By TE Connectivity ALL RIGHTS RESERVED.

REVISIONS					
P	LTR	DESCRIPTION	DATE	DWN	APVD
A4		REVISED PER ECR-18-009392	29MAR2019	BDA	SV

- 1 CONTINUOUS STRIP ON REELS WITH TERMINALS LOCATED ON 13.97±0.08 [.550±.003] CENTERS.
- 2 SLOT ACCEPTS 0.54-0.81mm [#23.5-#20] AWG COPPER MAGNET WIRE. 2 WIRES OF THE SAME SIZE AND TYPE PER SLOT. EXCEPT 0.64-0.81mm [#22-#20] AWG WHICH IS ONE WIRE ONLY OR SLOT ACCEPTS 0.72-0.91mm [#21-#19] AWG SINGLE ALUMINIUM MAGNET WIRE ONLY. ALUMINIUM WIRE RANGE IS APPLICABLE FOR POST TIN PLATED PART NOS ONLY
- 3 MAG-MATE APPLICATION SPEC IS 114-2046.



1217853-1  
PART NUMBER

THIS DRAWING IS A CONTROLLED DOCUMENT.		DWN MICHAEL S. FEHER 06JAN2003			
DIMENSIONS: mm [INCHES]		CHK KURT A. RANDOLPH 06JAN2003			
TOLERANCES UNLESS OTHERWISE SPECIFIED:		APVD KURT A. RANDOLPH 06JAN2003	NAME		
0 PLC ± -		PRODUCT SPEC	108-2012		
1 PLC ± -		APPLICATION SPEC	96-1039-143		
2 PLC ± 0.25[.010]		WEIGHT	0	SIZE A2	CAGE CODE 00779
3 PLC ± -		FINISH	TIN PLATE	DRAWING NO C=1217853	RESTRICTED TO
4 PLC ± -		CUSTOMER DRAWING			SCALE VS
ANGLES ± -		SHEET 1 of 1			REV A4

# Mouser Electronics

Authorized Distributor

Click to View Pricing, Inventory, Delivery & Lifecycle Information:

[TE Connectivity:](#)

[1217853-1](#)