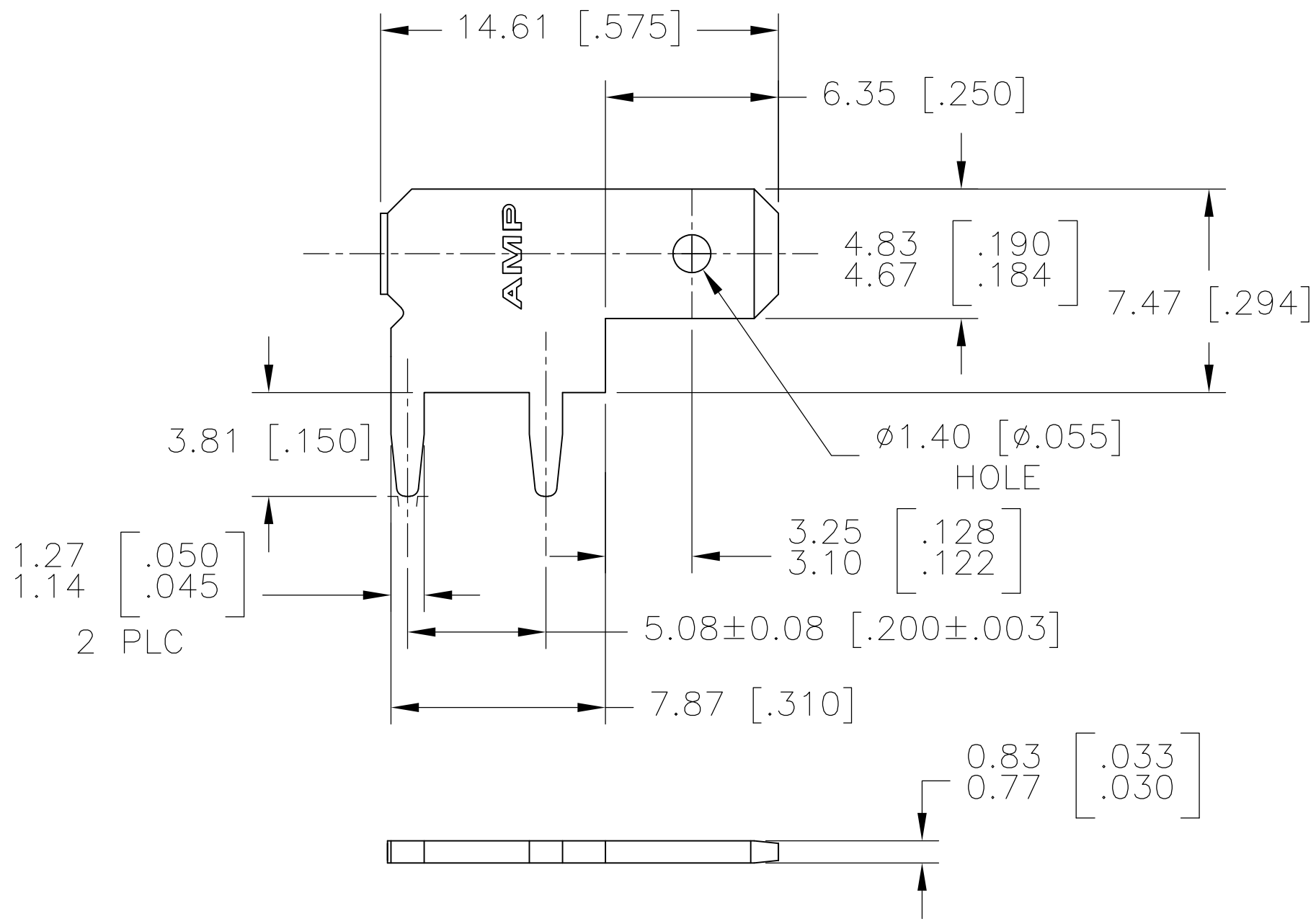
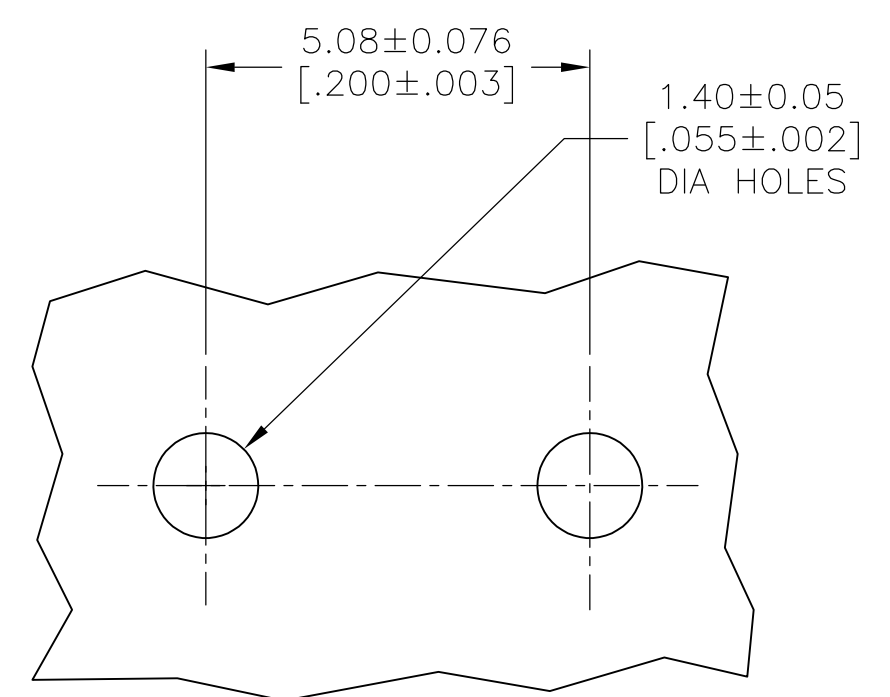


THIS DRAWING IS UNPUBLISHED. RELEASED FOR PUBLICATION  
 © COPYRIGHT - By - ALL RIGHTS RESERVED.

LOC	DIST	REVISIONS					
AF	50	P	LTR	DESCRIPTION	DATE	DWN	APVD
		D		REVISED PER ECR-13-001204	02JUL13	KH	PD



1 SUPPLIED IN LOOSE PIECE AFTER PLATING.  
 2 0.00381 [.000150] MIN TIN OVER  
 0.00127 [.000050] MIN NICKEL.



P.C. BOARD HOLES

1217756-1  
 PART NO.

THIS DRAWING IS A CONTROLLED DOCUMENT.		DWN	JR RUTH	13NOV01	TE Connectivity NAME TAB, FASTON, 4.75 [.187] SERIES												
DIMENSIONS: mm [INCHES]		CHK	N DEIBERT	13NOV01													
TOLERANCES UNLESS OTHERWISE SPECIFIED:		APVD	N DEIBERT	13NOV01													
0 PLC ± - 1 PLC ± - 2 PLC ± 0.25 [.010] 3 PLC ± - 4 PLC ± - ANGLES ± -		PRODUCT SPEC	-														
MATERIAL	BRASS	FINISH			APPLICATION SPEC	114-2115	SIZE	A3	CAGE CODE	00779	DRAWING NO	C-1217756	RESTRICTED TO	-			
CUSTOMER DRAWING												SCALE	5:1	SHEET	1 OF 1	REV	D

# Mouser Electronics

Authorized Distributor

Click to View Pricing, Inventory, Delivery & Lifecycle Information:

[TE Connectivity:](#)

[1217756-1](#)