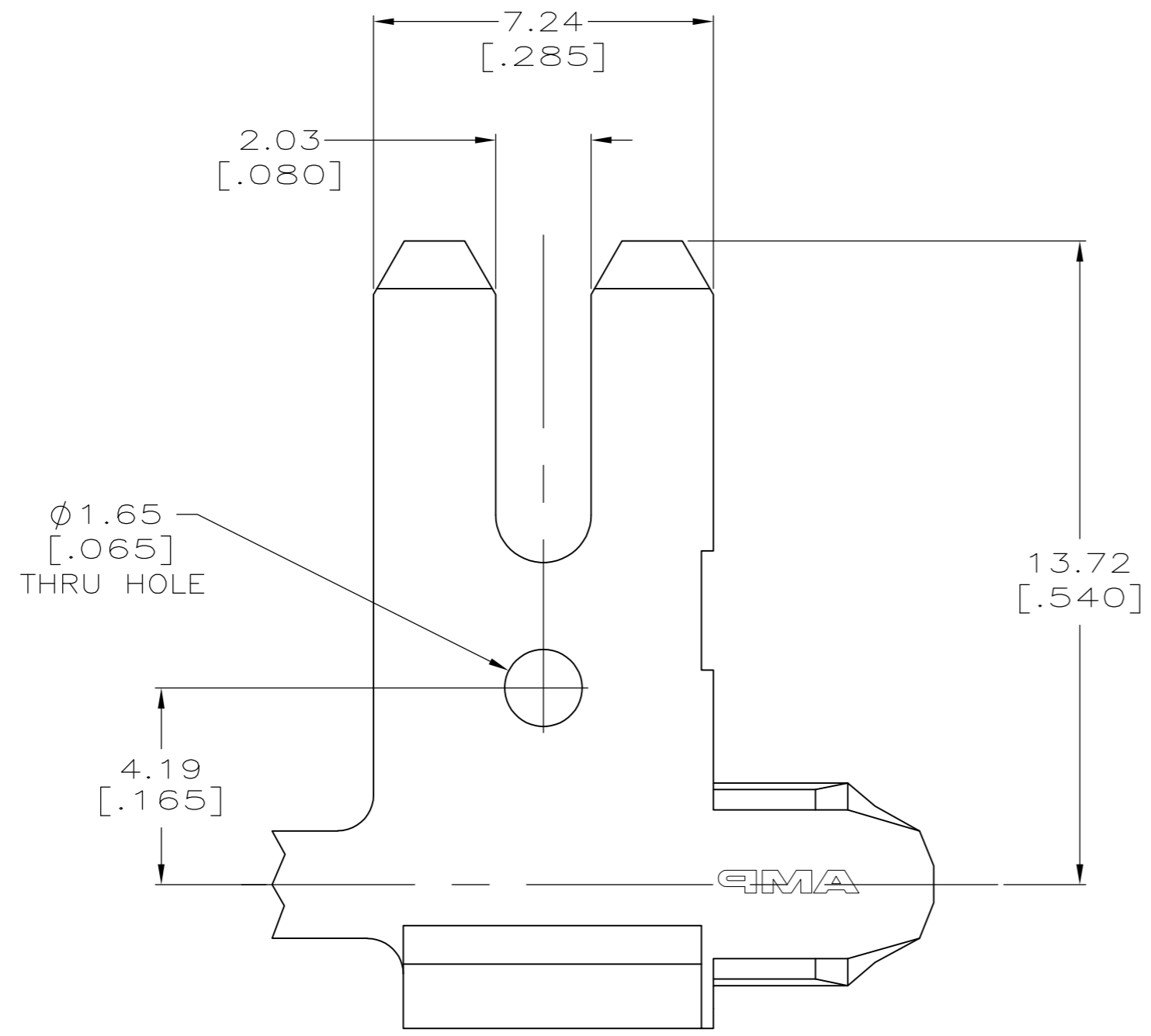
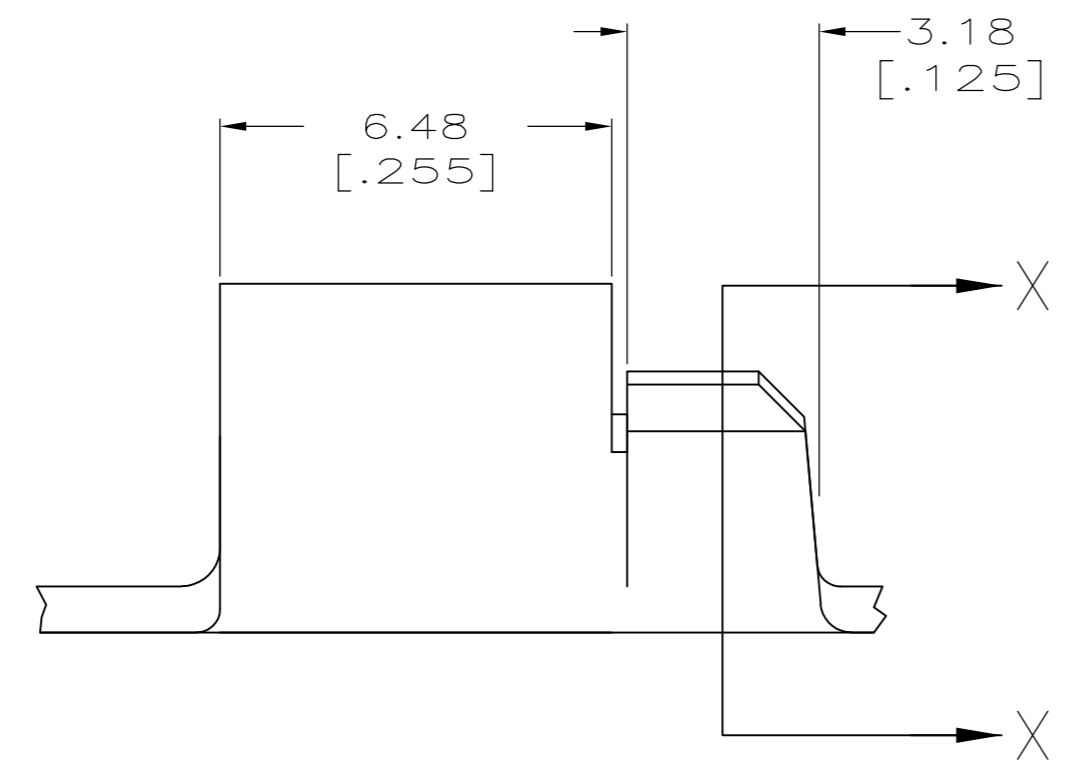
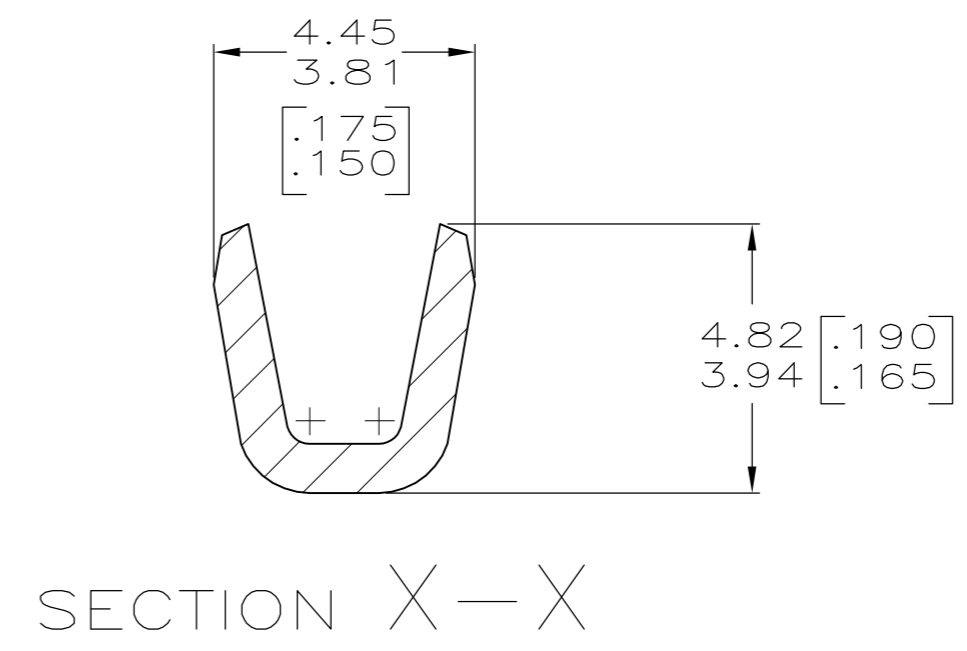


THIS DRAWING IS UNPUBLISHED. RELEASED FOR PUBLICATION
 © COPYRIGHT - By - ALL RIGHTS RESERVED.

LOC		DIST		REVISIONS			
AF	50	P	LTR	DESCRIPTION	DATE	DWN	APVD
		C1		ECR-13-016672	25OCT13	PKS	RRP



1 CONTINUOUS STRIP ON REELS.
 TIN PLATE



2.03-3.05 [.080-.120] DIA		0.8-2.0mm ² [#18-#14] AWG		1217324-1																												
INSULATION RANGE		WIRE SIZE		PART NUMBER																												
THIS DRAWING IS A CONTROLLED DOCUMENT.		DWN MICHAEL S. FEHER 07FEB2000 CHK KURT A. RANDOLPH 07FEB2000 APVD KURT A. RANDOLPH 07FEB2000		TE Connectivity																												
DIMENSIONS: mm		TOLERANCES UNLESS OTHERWISE SPECIFIED:		NAME																												
<table border="1"> <tr><td>0 PLC</td><td>±</td><td>-</td></tr> <tr><td>1 PLC</td><td>±</td><td>-</td></tr> <tr><td>2 PLC</td><td>±</td><td>0.25 [.010]</td></tr> <tr><td>3 PLC</td><td>±</td><td>-</td></tr> <tr><td>4 PLC</td><td>±</td><td>-</td></tr> <tr><td>ANGLES</td><td>±</td><td>-</td></tr> <tr><td>FINISH</td><td>-</td><td>2</td></tr> </table>		0 PLC	±	-	1 PLC	±	-	2 PLC	±	0.25 [.010]	3 PLC	±	-	4 PLC	±	-	ANGLES	±	-	FINISH	-	2	<table border="1"> <tr><td>PRODUCT SPEC</td><td>108-22045</td></tr> <tr><td>APPLICATION SPEC</td><td>114-2050</td></tr> <tr><td>WEIGHT</td><td>-</td></tr> </table>		PRODUCT SPEC	108-22045	APPLICATION SPEC	114-2050	WEIGHT	-	TAB, POKE-IN, MAG-MATE	
0 PLC	±	-																														
1 PLC	±	-																														
2 PLC	±	0.25 [.010]																														
3 PLC	±	-																														
4 PLC	±	-																														
ANGLES	±	-																														
FINISH	-	2																														
PRODUCT SPEC	108-22045																															
APPLICATION SPEC	114-2050																															
WEIGHT	-																															
MATERIAL BRASS		SIZE A2 CAGE CODE 00779		DRAWING NO. 1217324																												
CUSTOMER DRAWING		SCALE 8:1		SHEET 1 OF 1 REV C1																												

1217324

Mouser Electronics

Authorized Distributor

Click to View Pricing, Inventory, Delivery & Lifecycle Information:

[TE Connectivity:](#)

[1217324-1](#)