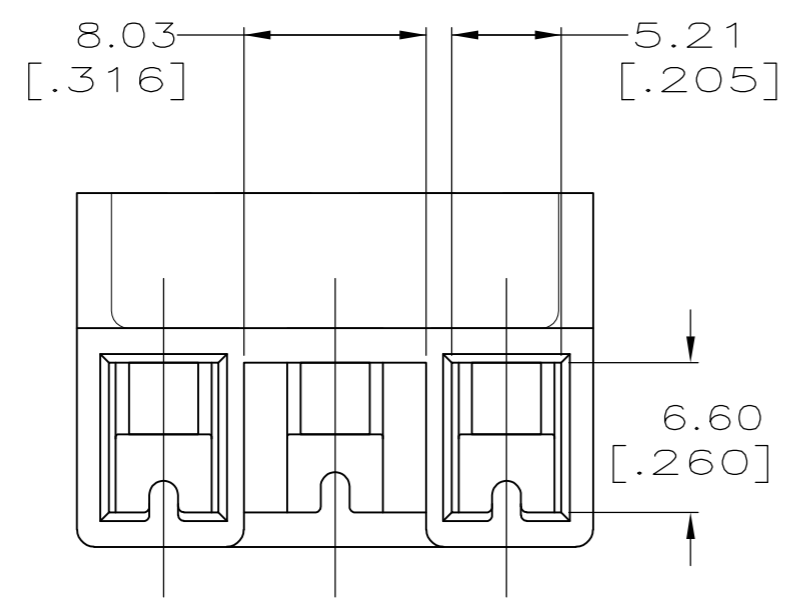
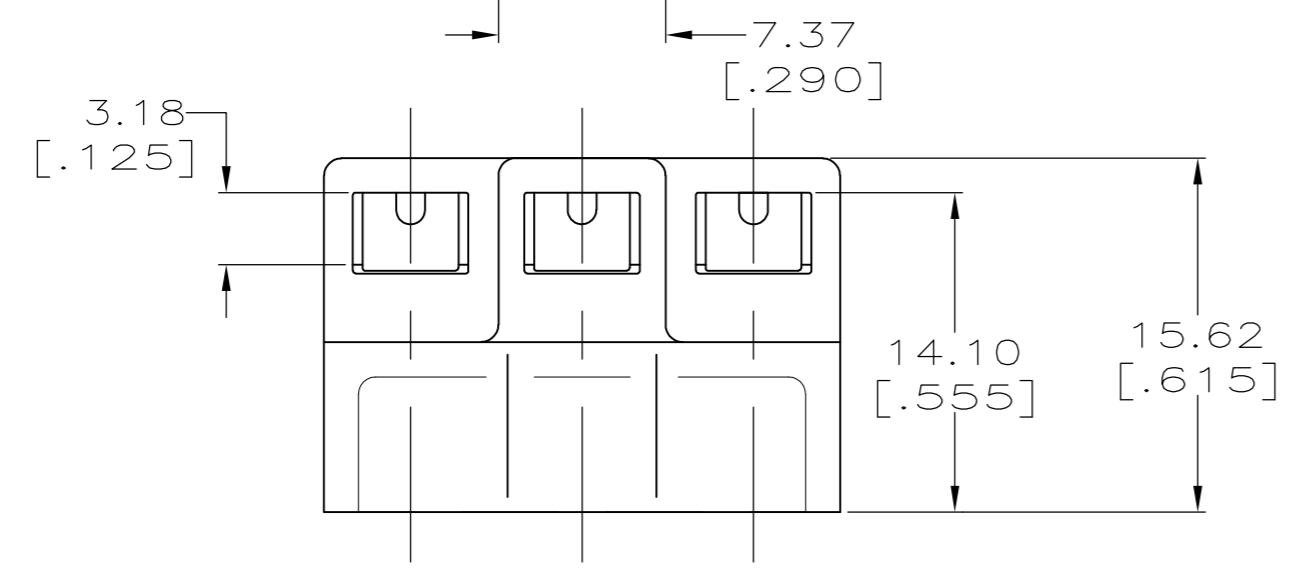
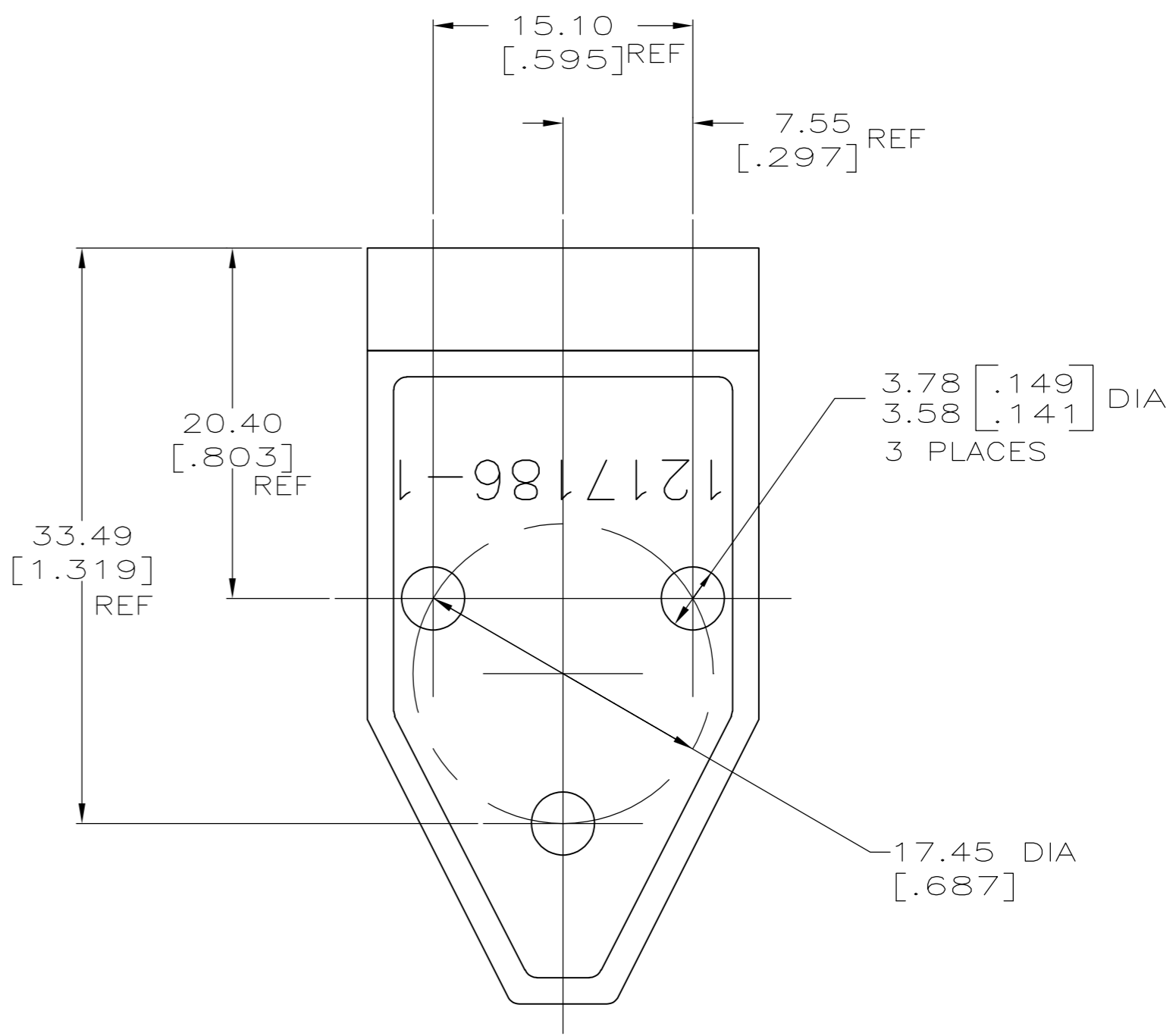
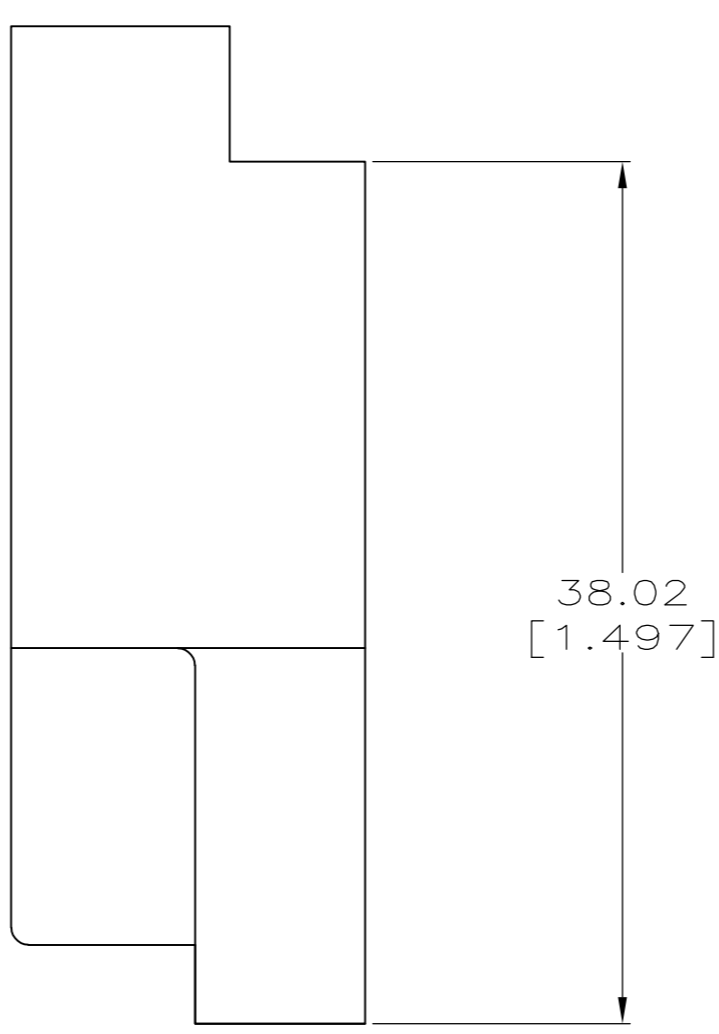
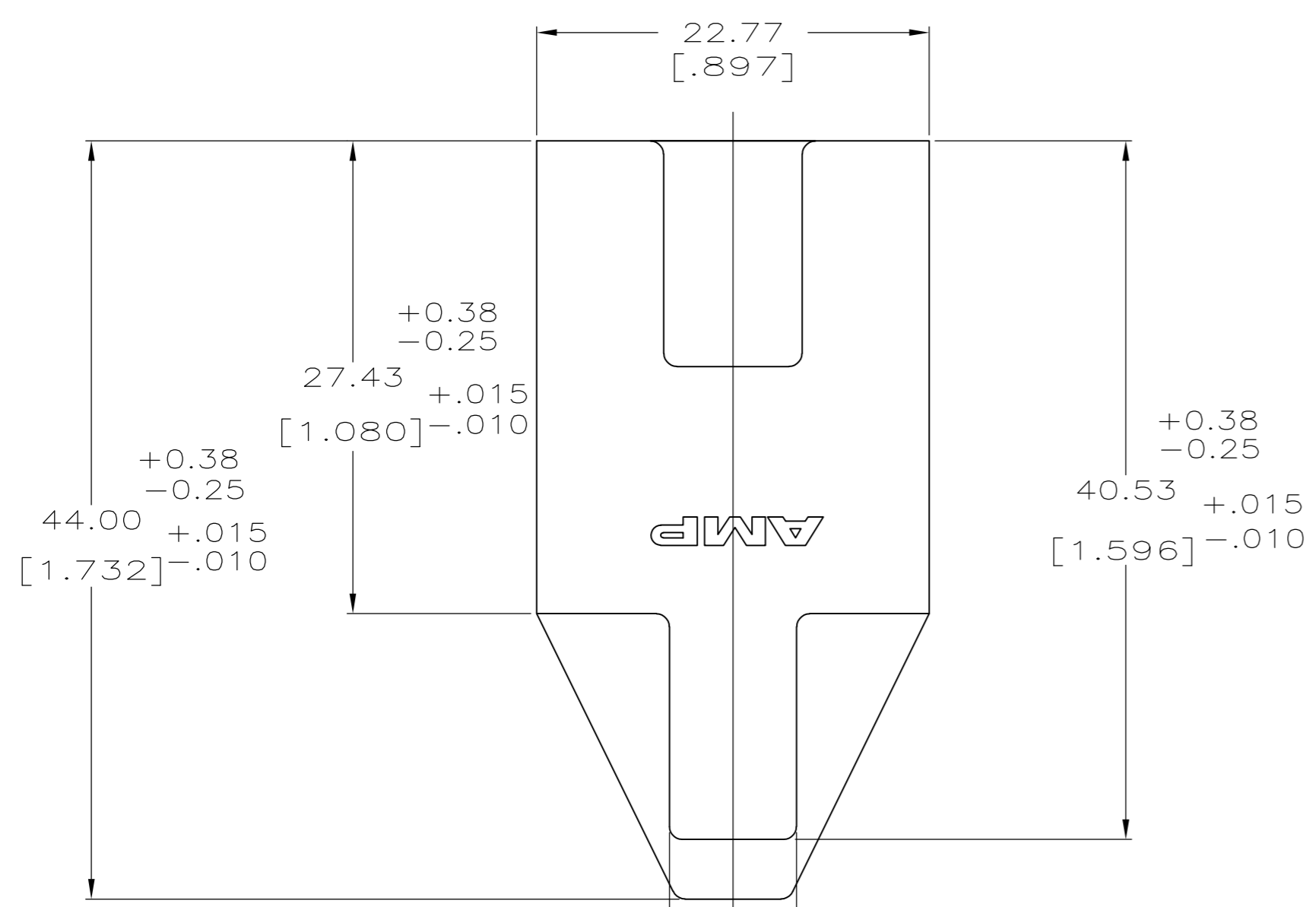


THIS DRAWING IS UNPUBLISHED. RELEASED FOR PUBLICATION
 © COPYRIGHT BY TYCO ELECTRONICS CORPORATION. ALL RIGHTS RESERVED.

LOC	DIST	REVISIONS			
P	LTR	DESCRIPTION	DATE	DWN	APVD
AF	50	H	REVISED PER ECR-09-006852	22APR10	HMR GJ



1 HOUSING ACCEPTS 3.18 [.125] DIA CLUSTER BLOCK PIN RECEPTACLES.



1217186-1
PART NUMBER

THIS DRAWING IS A CONTROLLED DOCUMENT.		DWN MICHEAL S. FEHER 01SEP1999	Tyco Electronics Corporation Harrisburg, PA 17105	
DIMENSIONS: INCHES		CHK PETE DESANTIS 01SEP1999	NAME HOUSING, CLUSTER BLOCK, 3.18 [.125] DIA	
TOLERANCES UNLESS OTHERWISE SPECIFIED:		APVD PETE DESANTIS 01SEP1999	PRODUCT SPEC 108-2008	
0 PLC ± -		APPLICATION SPEC 114-2019		
1 PLC ± -		SIZE A2 CAGE CODE 00779		
2 PLC ± 0.25 [.010]		DRAWING NO 1217186		
3 PLC ± -		RESTRICTED TO -		
4 PLC ± -		SCALE 3:1 SHEET 1 OF 1 REV H		
ANGLES ± -		CUSTOMER DRAWING		
FINISH NATURAL				
MATERIAL PBT UNFILLED				

Mouser Electronics

Authorized Distributor

Click to View Pricing, Inventory, Delivery & Lifecycle Information:

[TE Connectivity:](#)

[1217186-1](#)