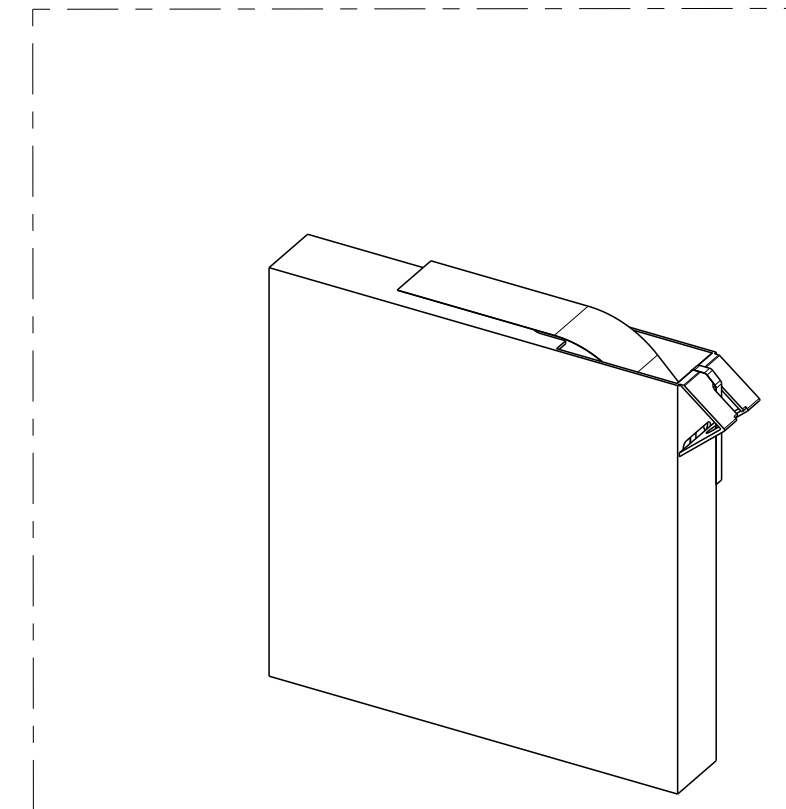
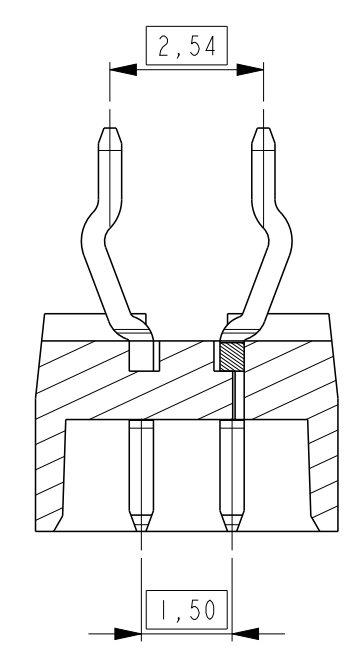
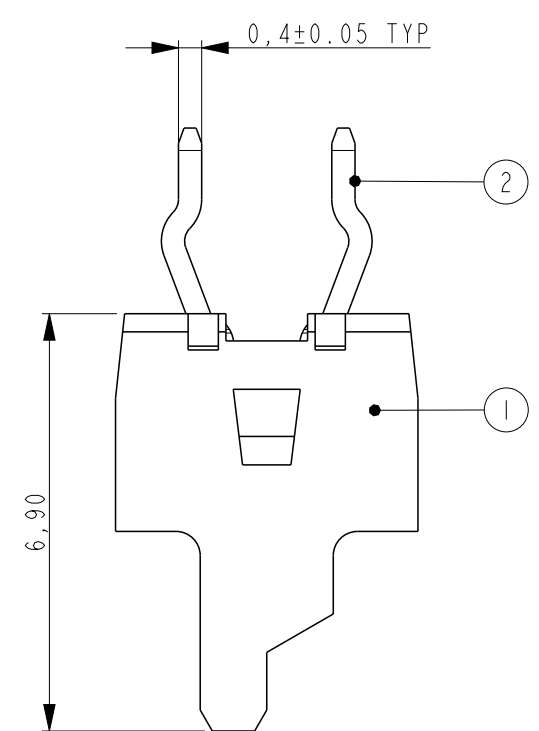
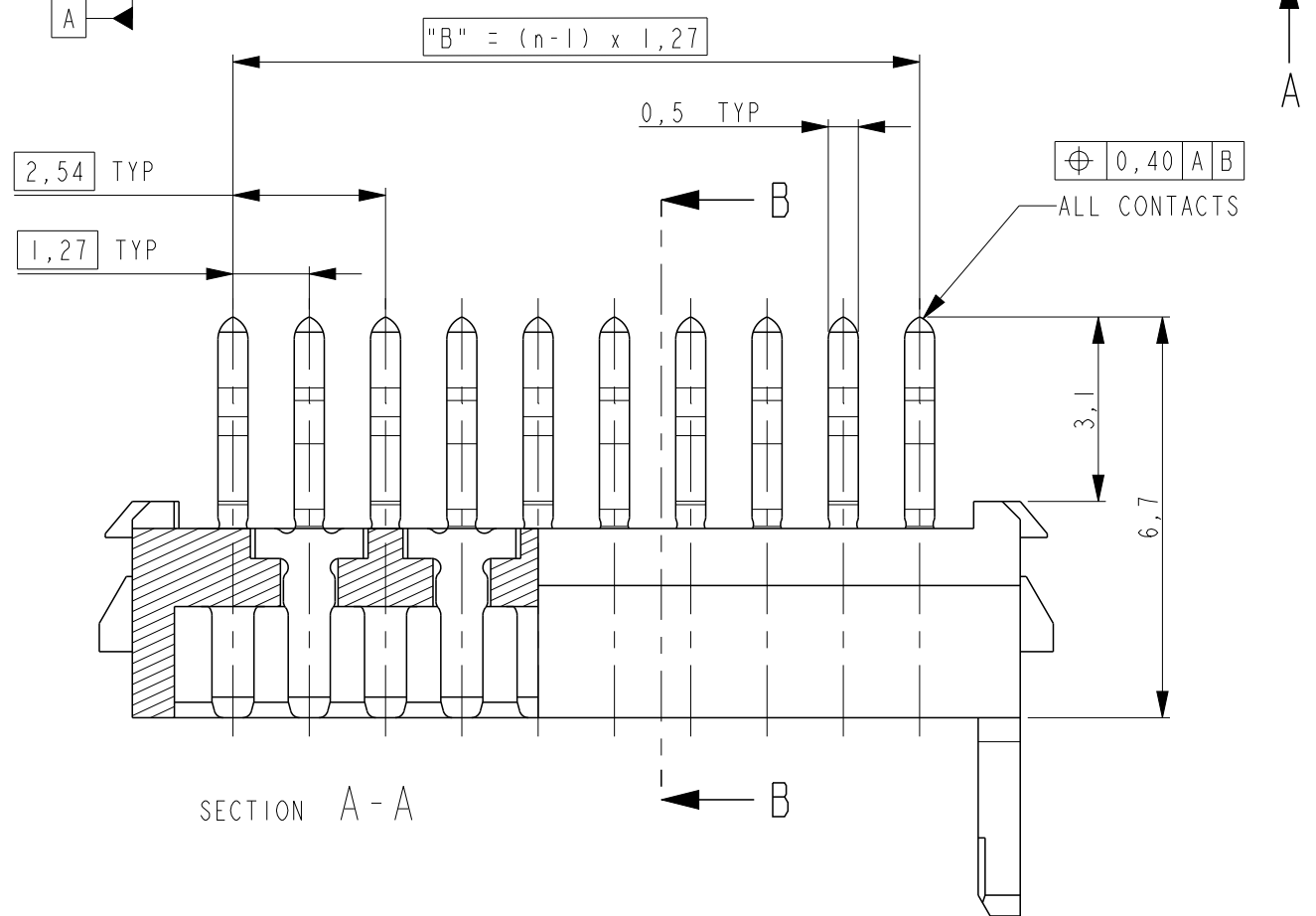
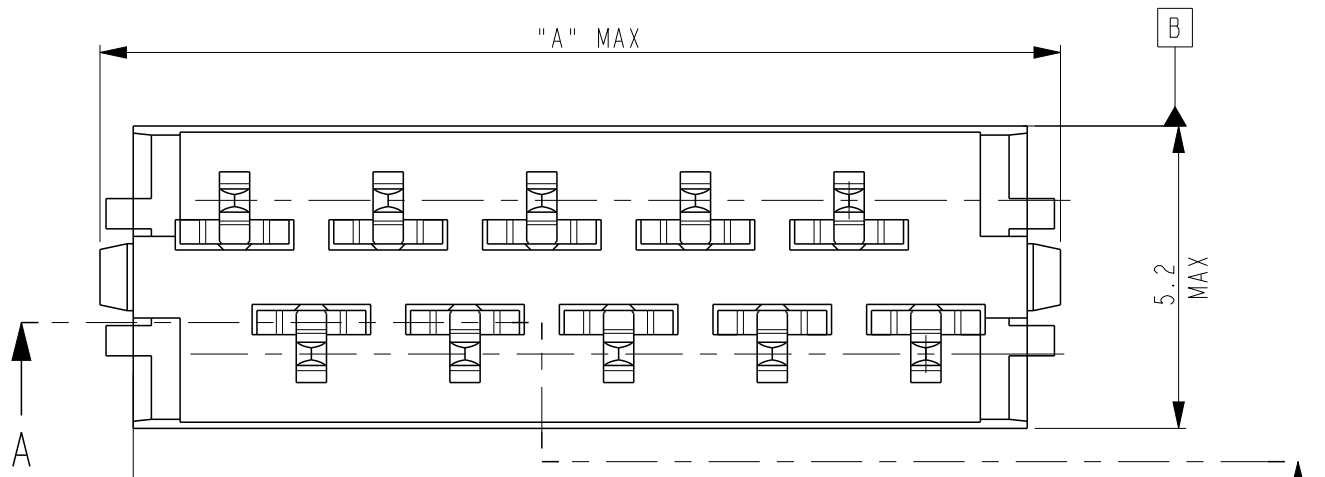


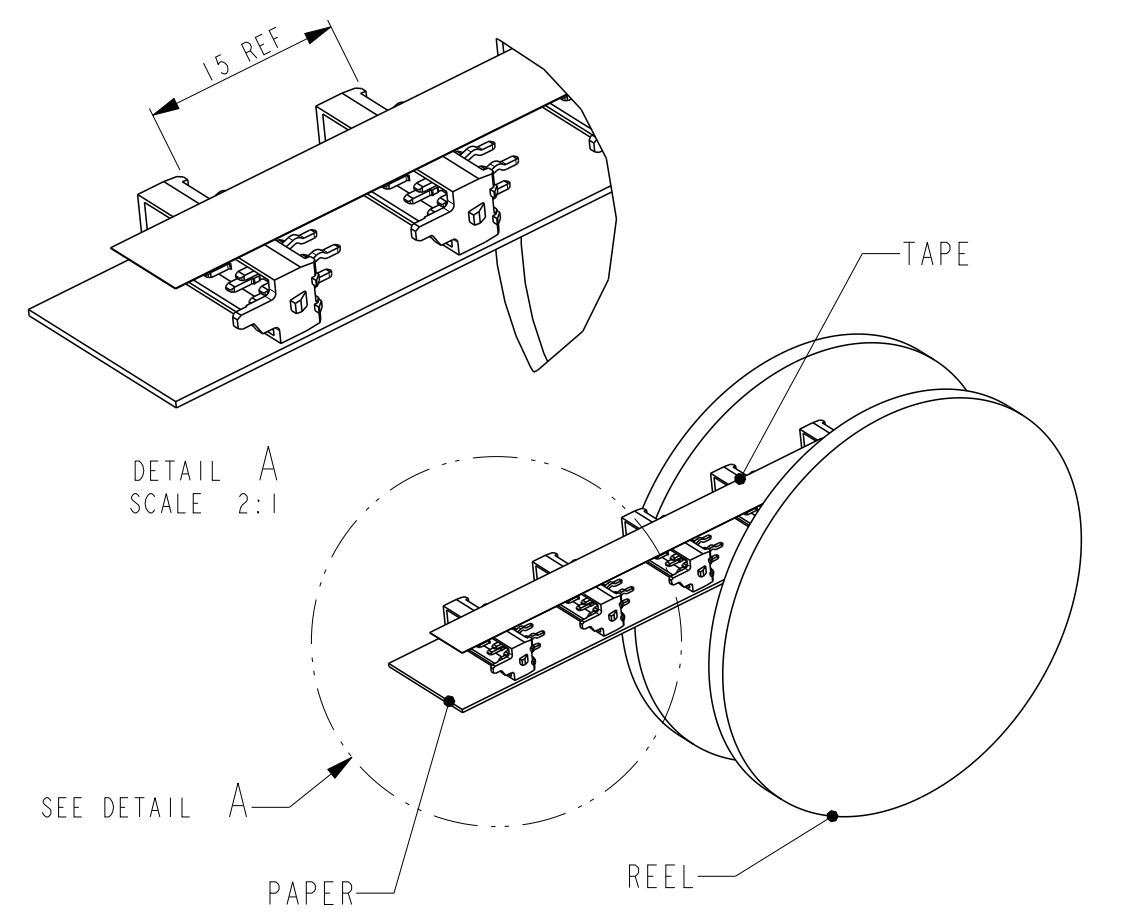
THIS DRAWING IS UNPUBLISHED. RELEASED FOR PUBLICATION
 © COPYRIGHT - ALL RIGHTS RESERVED.

| REVISIONS | | | | | | | |
|-----------|------|---|-----|---|-----------|-----|------|
| LOC | DIST | P | LTR | DESCRIPTION | DATE | DWN | APVD |
| H | - | R | | CONTACT MATERIAL CHANGED TO PHOSPHOR BRONZE | 13APR2018 | SS | PS |

| PART NUMBER REEL PACKAGING | PART NUMBER BOX PACKAGING | NUMBER OF POSITIONS | "A" MAX | "B" |
|----------------------------|---------------------------|---------------------|---------|-------|
| 0-215464-4 | 7-215464-4 | 4 | 8.3 | 3.81 |
| 0-215464-6 | 7-215464-6 | 6 | 10.9 | 6.35 |
| 0-215464-8 | 7-215464-8 | 8 | 13.4 | 8.89 |
| 1-215464-0 | 8-215464-0 | 10 | 15.9 | 11.43 |
| 1-215464-2 | 8-215464-2 | 12 | 18.5 | 13.97 |
| 1-215464-4 | 8-215464-4 | 14 | 21.0 | 16.51 |
| 1-215464-6 | 8-215464-6 | 16 | 24.0 | 19.05 |
| 1-215464-8 | 8-215464-8 | 18 | 26.1 | 21.59 |
| 2-215464-0 | 9-215464-0 | 20 | 28.6 | 24.13 |



SCALE 3:10
 BOX PACKAGING
 250 PARTNUMBERS PER BOX
 FOR ALL PARTNUMBERS.



DETAIL A
 SCALE 2:1

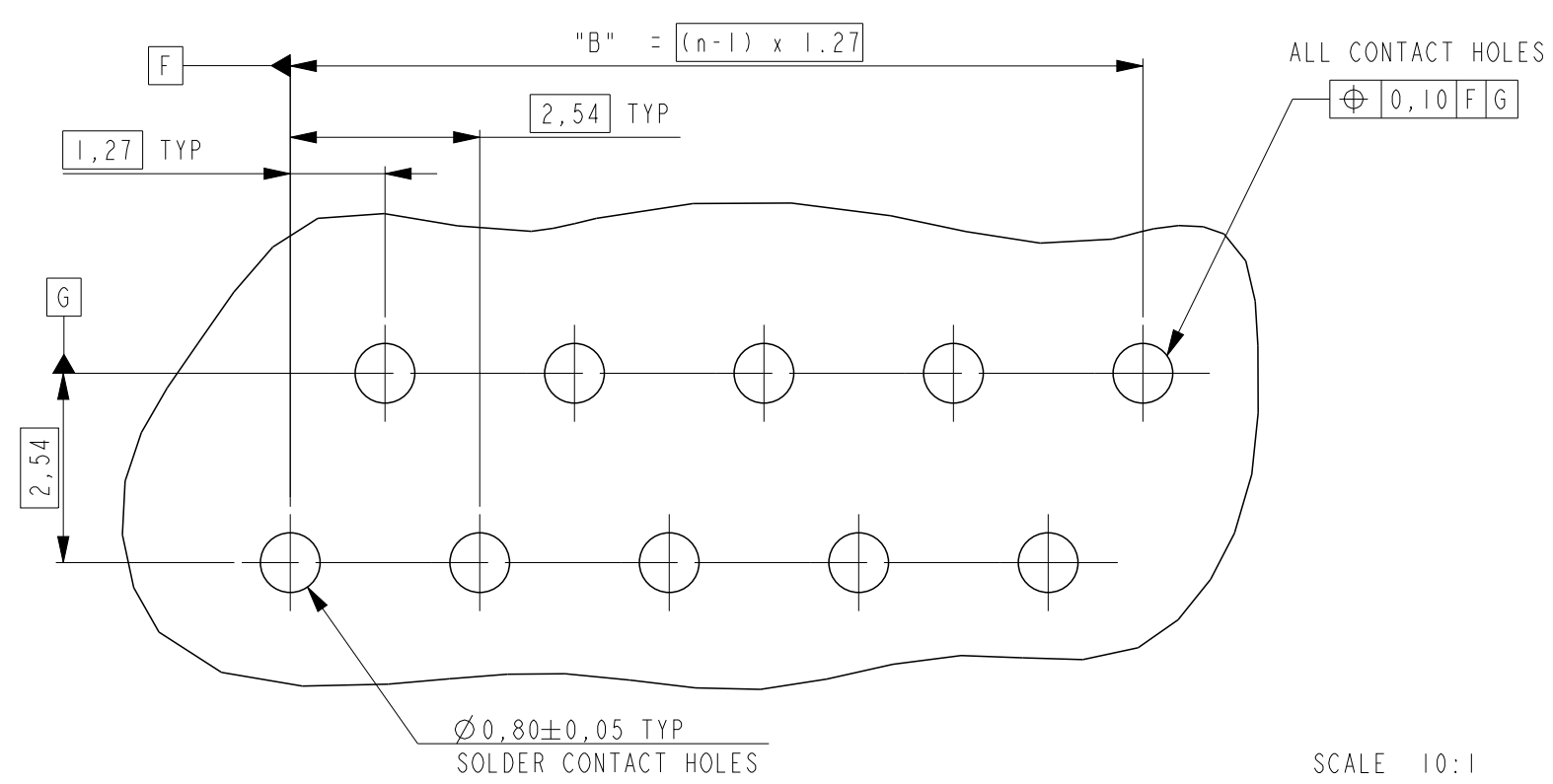
REEL PACKAGING
 DEREELING DIRECTION AND CONNECTOR POSITION
 2500 CONNECTORS PER REEL FOR ALL PART NUMBERS

SECTION A-A

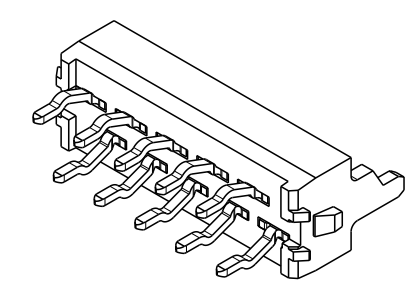
SECTION B-B

REFERENCE MATING INTERFACE PATTERN:
 1.27 STAGGERED PITCH x 1.5 ROW DISTANCE

PC-BOARD HOLE LAYOUT
 (COMPONENT SIDE OF BOARD SHOWN)



SCALE 10:1



SCALE 3:1

SHOWN IS A 10 POSITION
 CONNECTOR (1-215464-0).

THIS DRAWING IS A CONTROLLED DOCUMENT.

| | |
|-------------|--|
| DIMENSIONS: | TOLERANCES UNLESS OTHERWISE SPECIFIED: |
| mm | ±0.20 |
| | 0 PLC ± |
| | 1 PLC ± |
| | 2 PLC ± |
| | 3 PLC ± |
| | 4 PLC ± |
| | ANGLES ± |
| | FINISH ± |
| MATERIAL | SEE TABLE |
| | SEE TABLE |

| | | | |
|------------------|----------------|--------------------|--|
| 2 | MALE CONTACT | PHOSPHOR BRONZE | 3-5 μm Sn over 0.5 μm min Ni |
| 1 | HOUSING | G.F POLYESTER, PBT | RED |
| ITEM NO. | DESCRIPTION | MATERIAL | FINISH / COLOR |
| DWN | 15-04-1992 | | |
| CHK | J. VAN DREUMEL | | |
| APVD | H. KOKKEN | | |
| PRODUCT SPEC | 108-19052 | NAME | Micro-MaTch MALE-ON-BOARD LONG POST, POLARIZED |
| APPLICATION SPEC | | SIZE | A2 |
| WEIGHT | | CAGE CODE | 00779 |
| CUSTOMER DRAWING | | DRAWING NO | G-215464 |
| | | RESTRICTED TO | |
| | | SCALE | 8:1 |
| | | SHEET | 1 OF 1 |
| | | REV | R |

Mouser Electronics

Authorized Distributor

Click to View Pricing, Inventory, Delivery & Lifecycle Information:

[TE Connectivity:](#)

[1-215464-2](#)